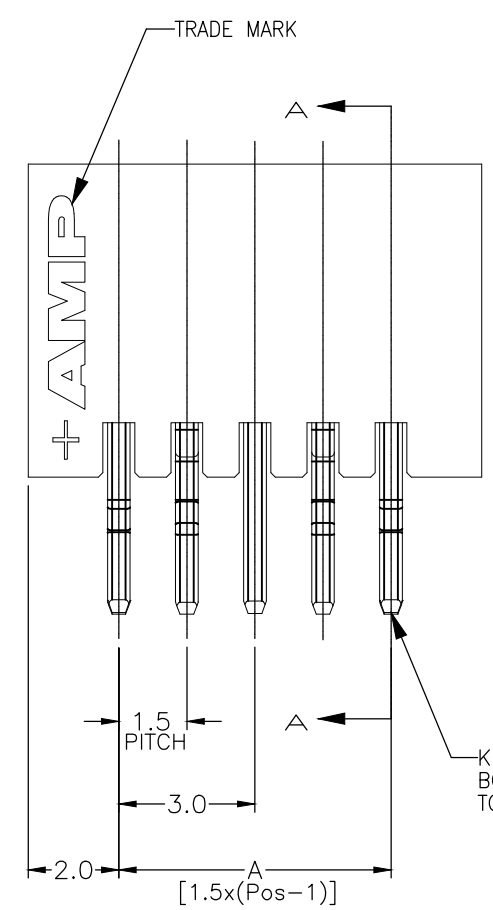
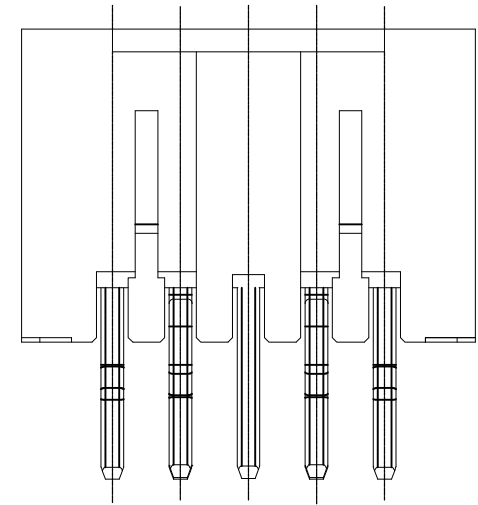
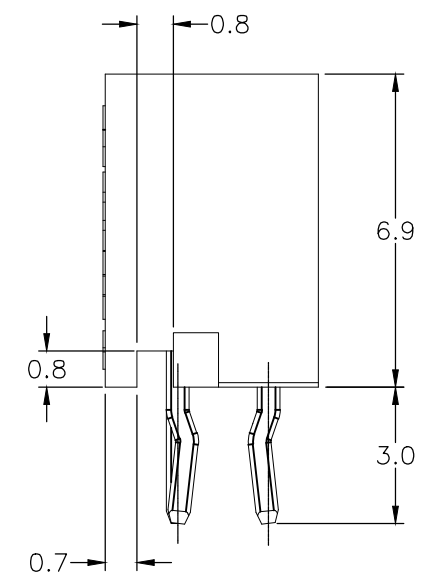
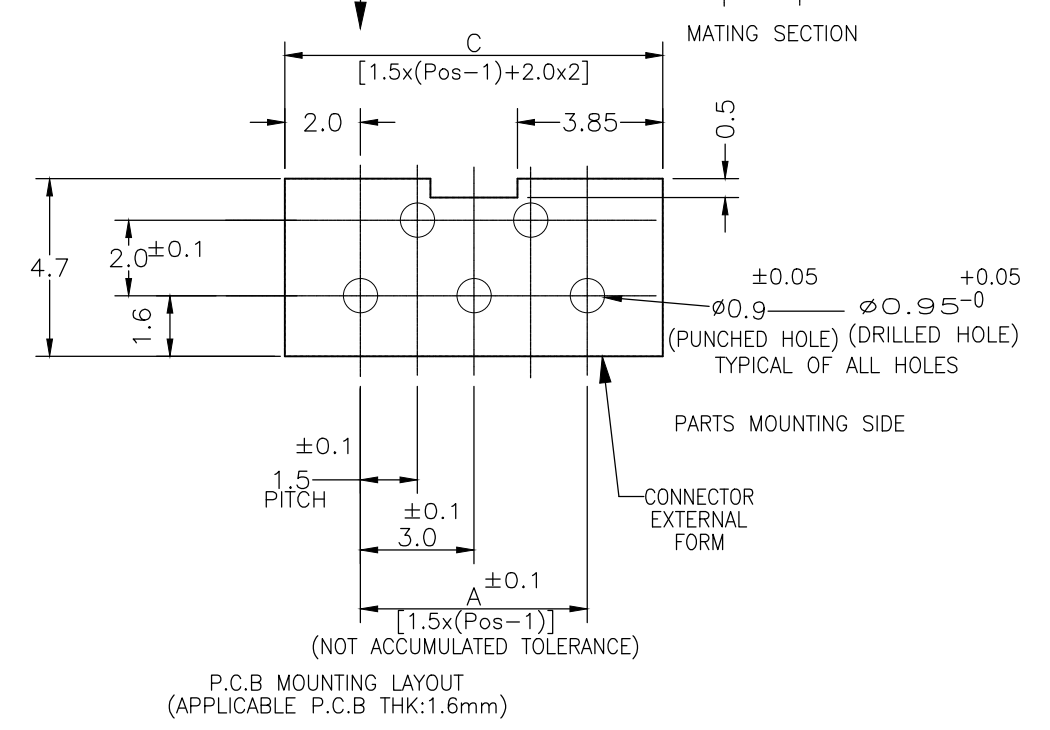
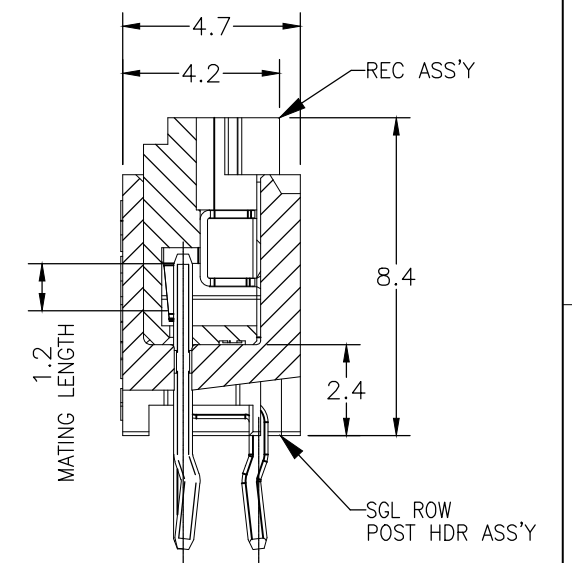
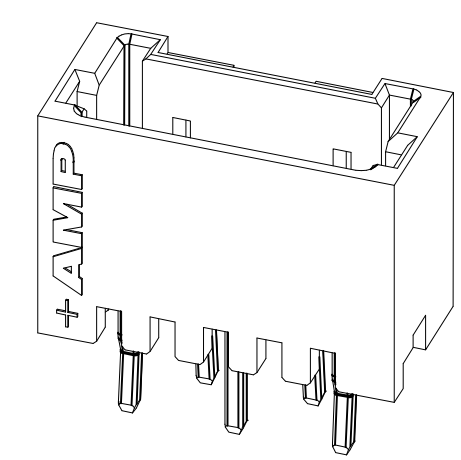
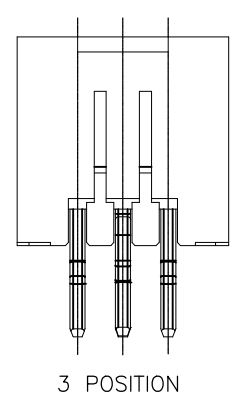
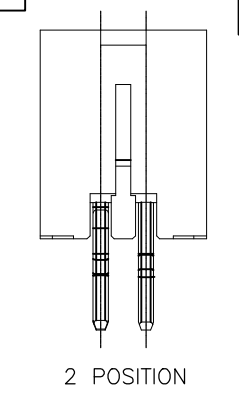
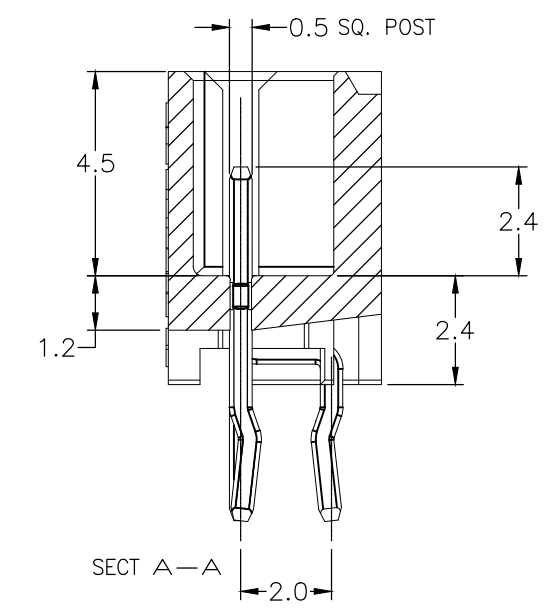
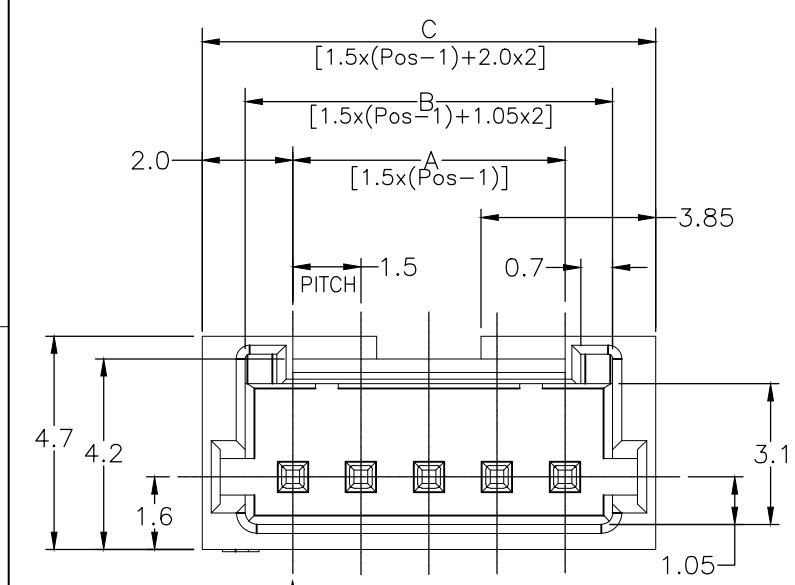


THIS DRAWING IS UNPUBLISHED. RELEASED FOR PUBLICATION  
 © COPYRIGHT - By - ALL RIGHTS RESERVED.

LOC	DIST	REVISIONS					
ES	00	P	LTR	DESCRIPTION	DATE	DWN	APVD
		C		ECR-17-007977	30NOV17	T.Q	W.H



KINKING FORMING BOTH SIDE EACH 2 PLACES TOTAL: 4 PLACES

NOTES:  
 △ MATERIAL: HOUSING: PA10T(NON G.F.) UL94V-0 POST: GOLD PLATED 0.5mm SQ. BRASS WIRE  
 △ MATERIAL: HOUSING: PA10T(WITH G.F.) UL94V-0 POST: GOLD PLATED 0.5mm SQ. BRASS WIRE

TOLERANCES UNLESS OTHERWISE SPECIFIED:

10 >> *	: ±0.2
30 >> * > 10	: ±0.25
100 >> * > 30	: ±0.3
ANGLE	: ±3°

THIS DRAWING IS A CONTROLLED DOCUMENT.

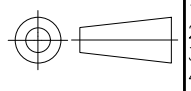
DIMENSIONS: mm	TOLERANCES UNLESS OTHERWISE SPECIFIED:
	0 PLC ± -
	1 PLC ± -
	2 PLC ± -
	3 PLC ± -
	4 PLC ± -
MATERIAL SEE NOTE 1	FINISH SEE NOTE 1

DWN S.XU 02JUN03		TE Connectivity	
CHK S.YAO 02JUN03		NAME	
APVD T. SASAKI 02JUN03		Mini CT CONN 1.5mm P Single Row HDR Assy (V) (GOLD-PLATING) DIP Type W Kink	
PRODUCT SPEC 108 - 60018		SIZE	CAGE CODE
APPLICATION SPEC 114 - 5223	A300779		C-292272
WEIGHT SEE TABLE	CUSTOMER DRAWING		RESTRICTED TO -
SCALE -		SHEET 1 OF 2	REV C

THIS DRAWING IS UNPUBLISHED. RELEASED FOR PUBLICATION  
 © COPYRIGHT - By - ALL RIGHTS RESERVED.

LOC	DIST	REVISIONS					
ES	00	P	LTR	DESCRIPTION	DATE	DWN	APVD
		-		SEE SHEET 1	-	-	-

0.96	32.5	30.6	28.5	20	7-292272-0	2-292272-0	9-292272-0	4-292272-0
0.91	31.0	29.1	27.0	19	6-292272-9	1-292272-9	8-292272-9	3-292272-9
0.87	29.5	27.6	25.5	18	6-292272-8	1-292272-8	8-292272-8	3-292272-8
0.82	28.0	26.1	24.0	17	6-292272-7	1-292272-7	8-292272-7	3-292272-7
0.78	26.5	24.6	22.5	16	6-292272-6	1-292272-6	8-292272-6	3-292272-6
0.73	25.0	23.1	21.0	15	6-292272-5	1-292272-5	8-292272-5	3-292272-5
0.69	23.5	21.6	19.5	14	6-292272-4	1-292272-4	8-292272-4	3-292272-4
0.64	22.0	20.1	18.0	13	6-292272-3	1-292272-3	8-292272-3	3-292272-3
0.60	20.5	18.6	16.5	12	6-292272-2	1-292272-2	8-292272-2	3-292272-2
0.55	19.0	17.1	15.0	11	6-292272-1	1-292272-1	8-292272-1	3-292272-1
0.51	17.5	15.6	13.5	10	6-292272-0	1-292272-0	8-292272-0	3-292272-0
0.46	16.0	14.1	12.0	9	5-292272-9	292272-9	7-292272-9	2-292272-9
0.42	14.5	12.6	10.5	8	5-292272-8	292272-8	7-292272-8	2-292272-8
0.37	13.0	11.1	9.0	7	5-292272-7	292272-7	7-292272-7	2-292272-7
0.33	11.5	9.6	7.5	6	5-292272-6	292272-6	7-292272-6	2-292272-6
0.28	10.0	8.1	6.0	5	5-292272-5	292272-5	7-292272-5	2-292272-5
0.24	8.5	6.6	4.5	4	5-292272-4	292272-4	7-292272-4	2-292272-4
0.19	7.0	5.1	3.0	3	5-292272-3	292272-3	7-292272-3	2-292272-3
0.16	5.5	3.6	1.5	2	5-292272-2	292272-2	7-292272-2	2-292272-2
WEIGHT (g)	C	B	A	Pos.	△ BLUE	△ GRAY	BLUE △	GRAY △
	DIMENSIONS				P/N			

THIS DRAWING IS A CONTROLLED DOCUMENT.		DWN S.XU 02JUN03	<b>STE</b> TE Connectivity	
		CHK S.YAO 02JUN03		
DIMENSIONS: mm	TOLERANCES UNLESS OTHERWISE SPECIFIED:	APVD T. SASAKI 02JUN03	NAME	
	0 PLC ± - 1 PLC ± - 2 PLC ± - 3 PLC ± - 4 PLC ± - ANGLES ± -	PRODUCT SPEC 108 - 60018	AMP Mini CT Connector 1.5mm Pitch Single Row Post HDR Ass'y (V) (GOLD-PLATING) DIP Staggered Type without Boss with Kink	
MATERIAL SEE NOTE 1	FINISH SEE NOTE 1	APPLICATION SPEC 114 - 5223	SIZE A3	CAGE CODE 00779
		WEIGHT 0.000000	DRAWING NO C-292272	RESTRICTED TO -
CUSTOMER DRAWING			SCALE -	SHEET 2 of 2 REV C