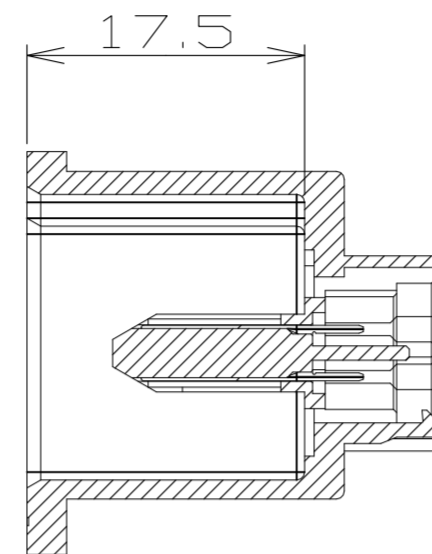
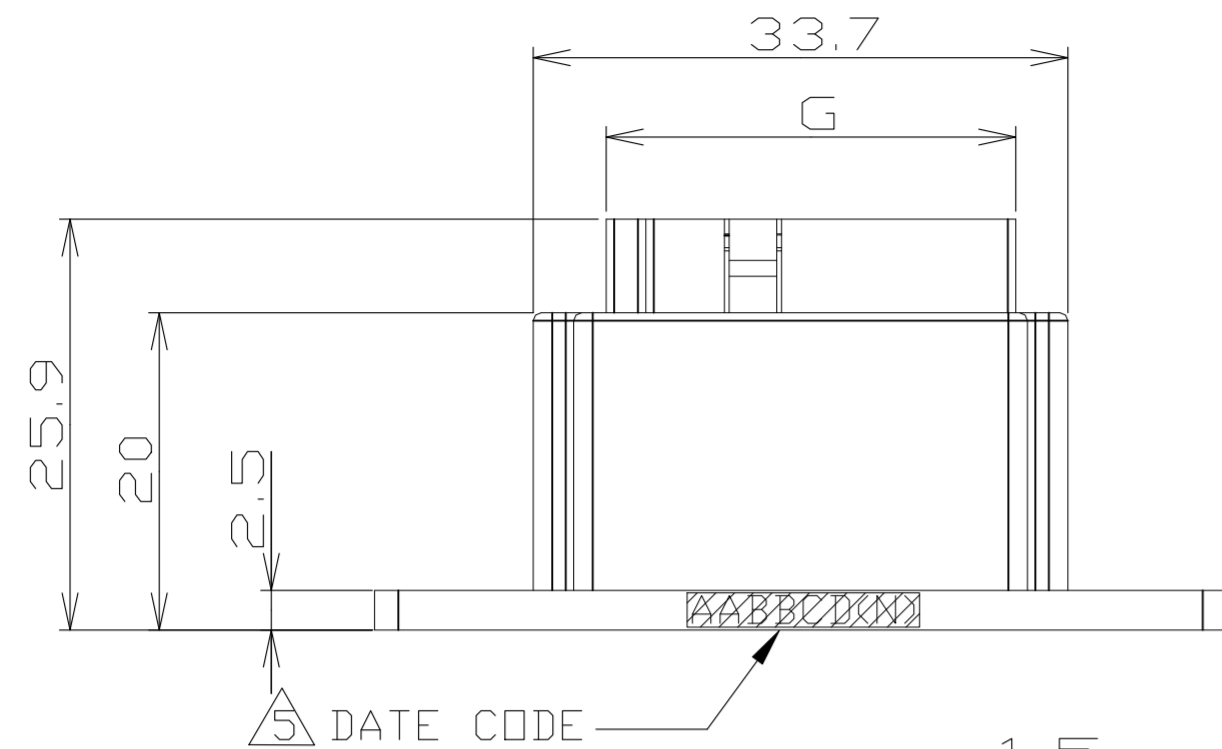
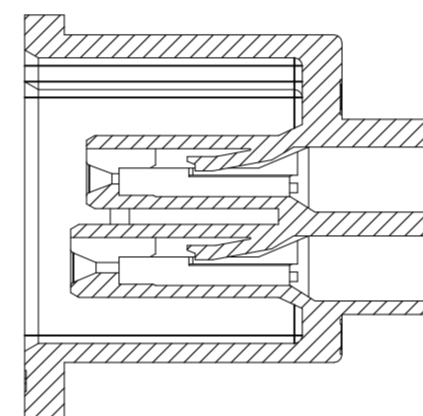
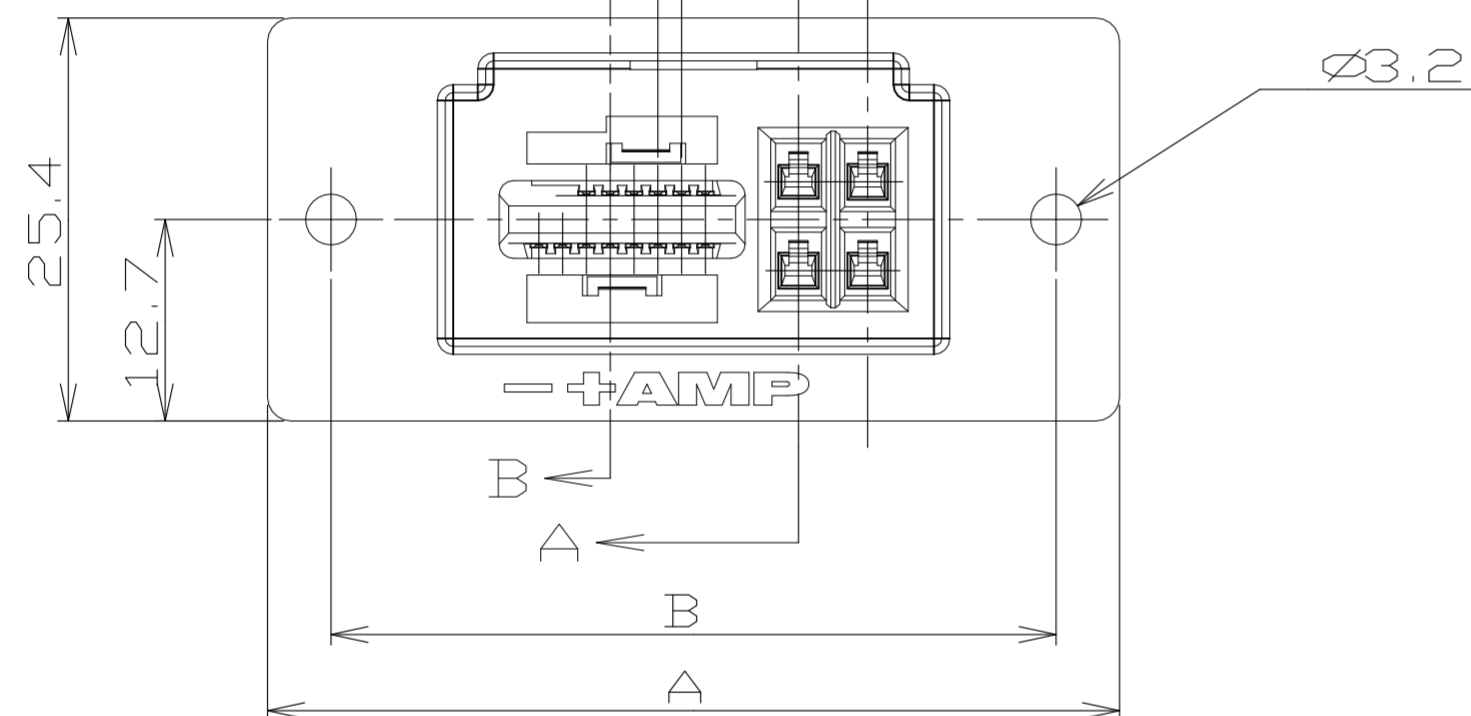
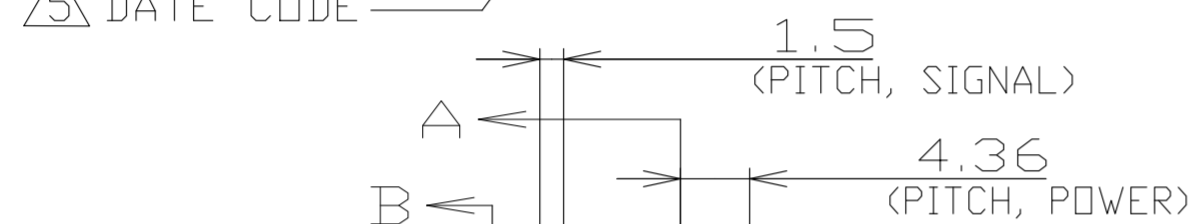


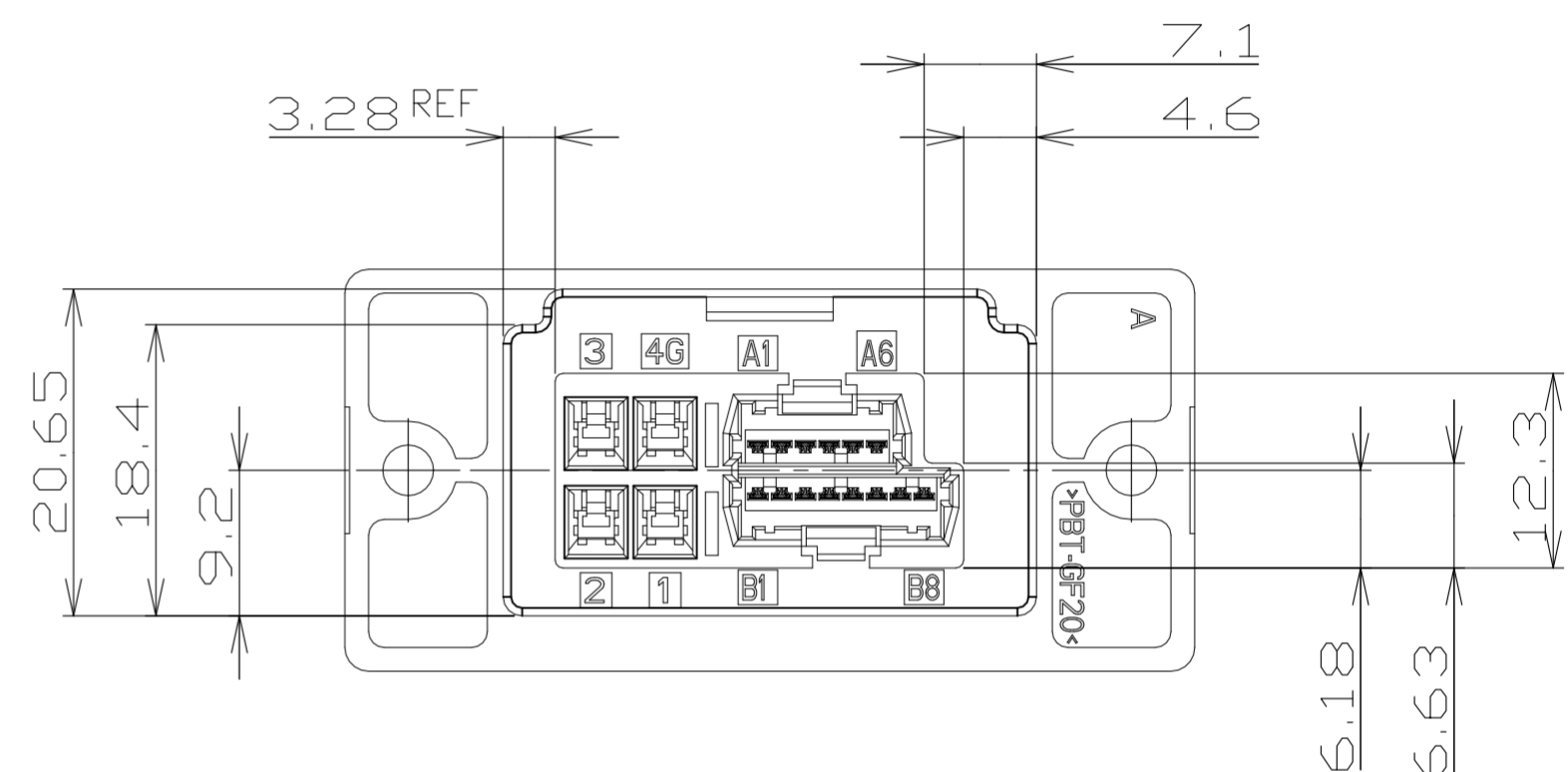
REVISIONS					
P	LTR	DESCRIPTION	DATE	DWN	APVD
B2		REVISED ECR-23-194300	05DEC2023	SSM	S.P



SECT B-B



SECT A-A



NOTES:

- ① USE WITH: MT REC CONN P/N: X-353293-X
 CRIMP HSG P/N: X-353908-X
 CRIMP CONT P/N: 353907-1
 353918-1(L/P)

② USE WITH POWER CONTACT P/N: 1123907-1 (NOT ASSEMBLED WHEN SHIPPED)

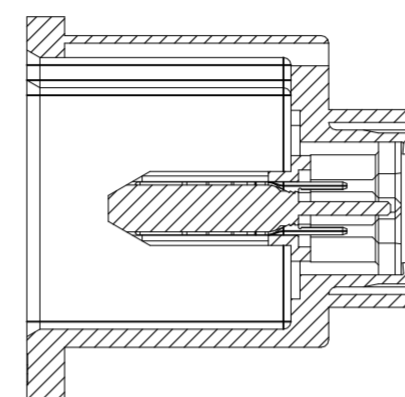
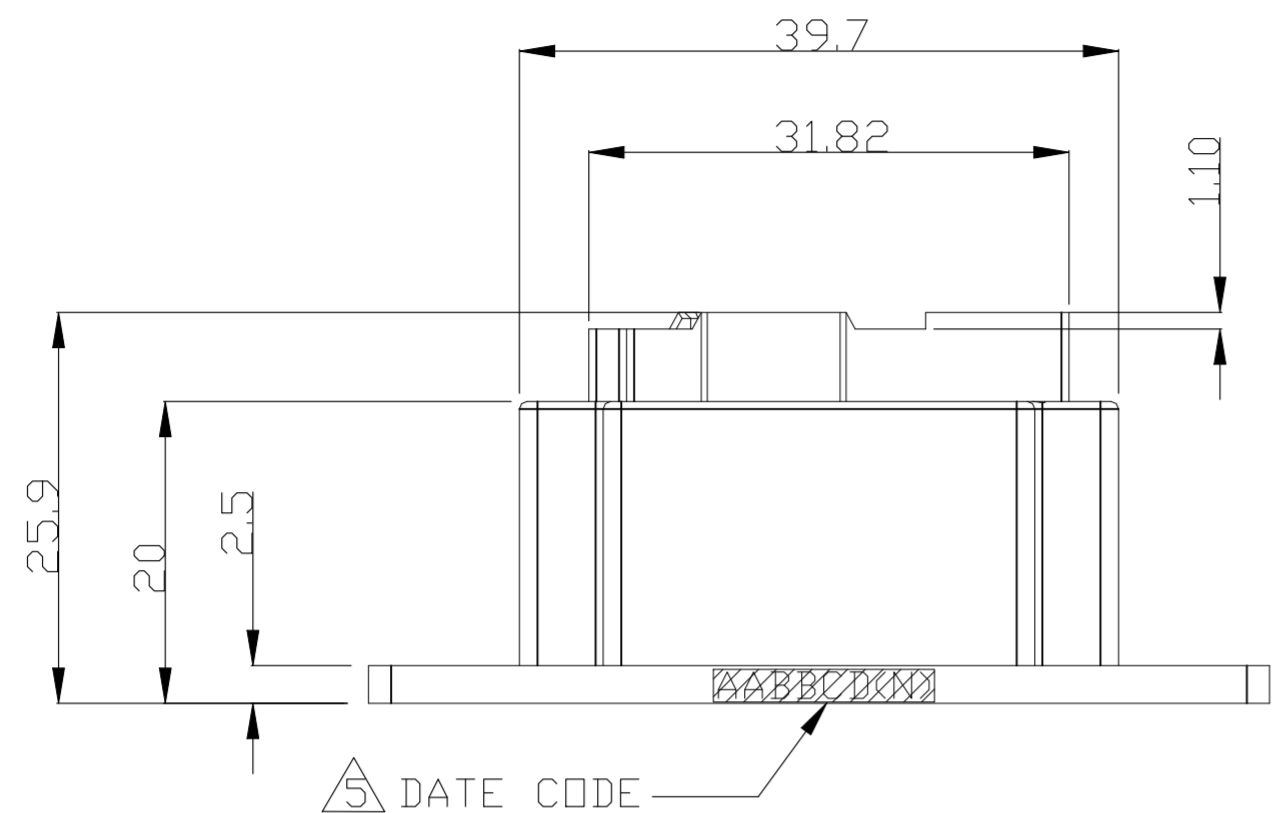
- ③ MATERIAL:
 HOUSING: GLASS FILLED THERMOPLASTIC, UL94V-0, GRAY
 SIGNAL CONTACT: BRASS
- ④ FINISH (SIGNAL CONTACT):
 NICKEL UNDERPLATE ALL OVER
 LATTICE MATING AREA: GOLD PLATE
 MINI CT MATING AREA: MATTE TIN PLATE

⑤ LOCATION OF DATE CODE: AABBCD(N)
(AA: YEAR, BB: WEEK, C: DAY OF WEEK, D: DAYTIME, N: NIGHT)

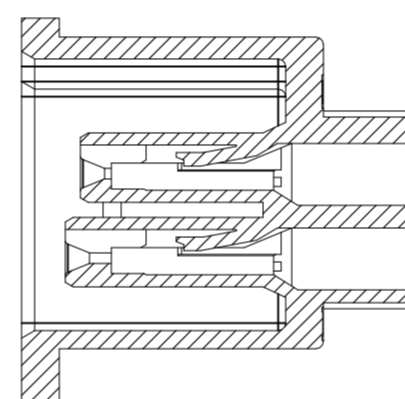
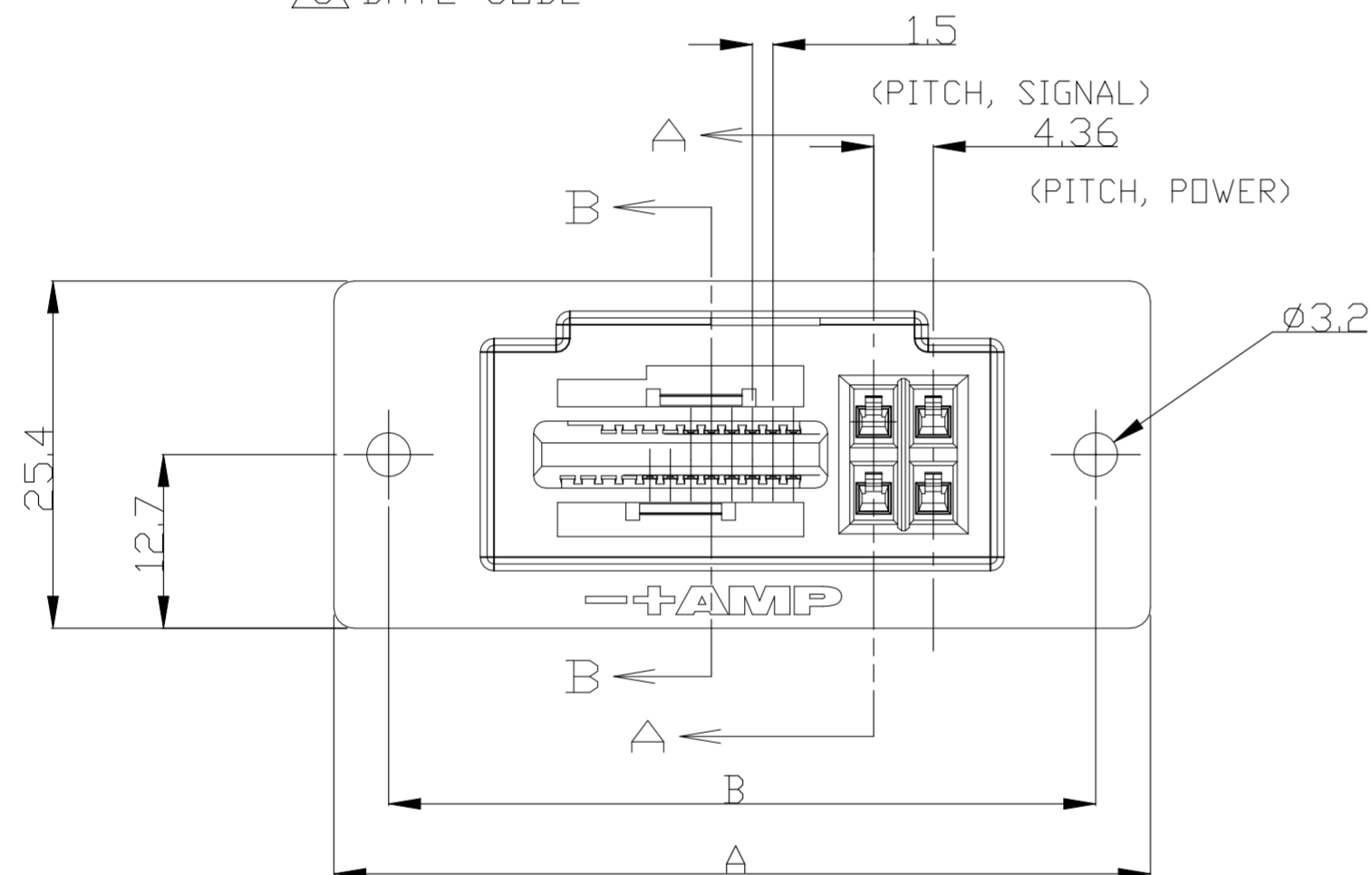
11.3	25.82	3.75	4.25	34.7	33.7	45.7	53.7	C	14(6+8)	4	5-292246-4
11.3	25.82	3.75	4.25	34.7	33.7	45.7	53.7	B	14(6+8)	4	3-292246-4
11.3	25.82	2.05	2.55	34.7	33.7	45.7	53.7	A	14(6+8)	4	1-292246-4
WEIGHT (g)	G	F	E	D	C	B	A	KEY TYPE	SIGNAL	POWER	PART NUMBER

THIS DRAWING IS A CONTROLLED DOCUMENT.		DWN J. JIANG 05FEB03	TE Connectivity Ltd.	
DIMENSIONS: mm		CHK S. Y 05FEB03		
TOLERANCES UNLESS OTHERWISE SPECIFIED:		APVD T. SASAKI 05FEB03	NAME	
0 PLC ± -		PRODUCT SPEC	RECEPTACLE ASSEMBLY	
1 PLC ± -		108-60028	FOR AMP 1.5 PITCH MINI CT	
2 PLC ± -		APPLICATION SPEC	HYBRID LATTICE CONNECTOR	
3 PLC ± -		114-5256	SIZE	CAGE CODE
4 PLC ± -		WEIGHT	A2	00779
ANGLES ± -		CUSTOMER DRAWING	DRAWING NO	RESTRICTED TO
FINISH		SCALE	C=292246	1 of 3
SEE NOTE		SEE NOTE	NTS	REV B2

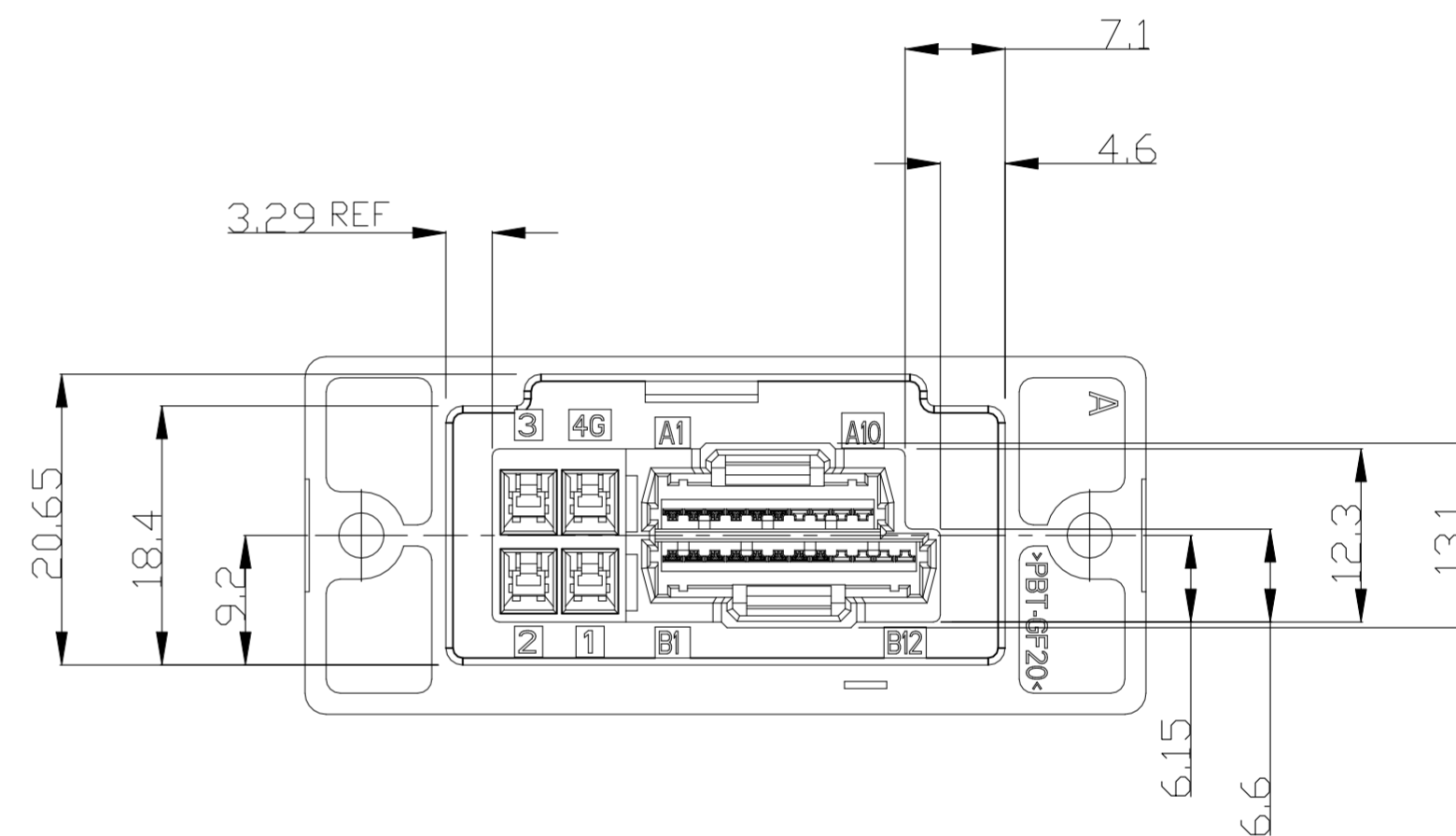
REVISIONS				
P	LTR	DESCRIPTION	DATE	APVD
-	-	SEE SHEET 1	-	-



SECT B-B



SECT A-A



NOTES:

- ① USE WITH MT REC CONN P/N: X-353293-X
CRIMP HSG P/N: X-353908-X
CRIMP CNT P/N: 353907-1
353918-1(L/P)
- ② USE WITH POWER CONTACT P/N: 1123907-1 (NOT ASSEMBLED WHEN SHIPPED)
- ③ MATERIAL:
HOUSING: GLASS FILLED THERMOPLASTIC, UL94V-0, GRAY
SIGNAL CONTACT: BRASS
- ④ FINISH (SIGNAL CONTACT):
NICKEL UNDERPLATE ALL OVER
LATTICE MATING AREA: GOLD PLATE
MINI CT MATING AREA: MATTE TIN PLATE
- ⑤ LOCATION OF DATE CODE: AABBCD(N)
(AA: YEAR, BB: WEEK, C: DAY OF WEEK, D: DAYTIME, N: NIGHT)

13.0	31.82	6.75	7.25	40.7	39.7	51.7	59.7	C	22(10+12)	4	6-292246-2
13.0	31.82	6.75	7.25	40.7	39.7	51.7	59.7	B	22(10+12)	4	4-292246-2
13.0	31.82	5.05	5.55	40.7	39.7	51.7	59.7	A	22(10+12)	4	2-292246-2
WEIGHT (g)	G	F	E	D	C	B	A	KEY TYPE	SIGNAL	POWER	PART NUMBER
									POSITION SIZE		

THIS DRAWING IS A CONTROLLED DOCUMENT.

DIMENSIONS: mm	TOLERANCES UNLESS OTHERWISE SPECIFIED:	DWN	TE
0 PLC ±	1 PLC ±	CHK	TE Connectivity Ltd.
2 PLC ±	3 PLC ±	APVD	NAME
4 PLC ±	ANGLES ±	PRODUCT SPEC	RECEPTACLE ASSEMBLY FOR AMP 1.5 PITCH MINI CT HYBRID LATTICE CONNECTOR
MATERIAL	FINISH	APPLICATION SPEC	SIZE CAGE CODE DRAWING NO RESTRICTED TO
		WEIGHT	A2 00779 C=292246
		CUSTOMER DRAWING	SCALE NTS SHEET 2 of 3 REV B2

P	LTR	DESCRIPTION	DATE	DWN	APVD
-	-	SEE SHEET 1	-	-	-

	PANEL CUT-OUT DIMENSIONS (TOLERANCE ±0.1)	RECEPTACLE ASSEMBLY FRONT VIEW	RECEPTACLE ASSEMBLY BACK VIEW
KEY TYPE "A"			
KEY TYPE "B"			
KEY TYPE "C"			

THIS DRAWING IS A CONTROLLED DOCUMENT.		DWN	TE Connectivity Ltd.	
DIMENSIONS: mm		CHK	NAME	
TOLERANCES UNLESS OTHERWISE SPECIFIED: 0 PLC ± - 1 PLC ± - 2 PLC ± - 3 PLC ± - 4 PLC ± - ANGLES ± -		APVD	RECEPTACLE ASSEMBLY FOR AMP 1.5 PITCH MINI CT HYBRID LATTICE CONNECTOR	
MATERIAL		PRODUCT SPEC	SIZE	RESTRICTED TO
FINISH		APPLICATION SPEC	CAGE CODE	
		WEIGHT	DRAWING NO	
		CUSTOMER DRAWING	A2 00779	
		SCALE	C=292246	
		SHEET	3 OF 3	
		REV	B2	