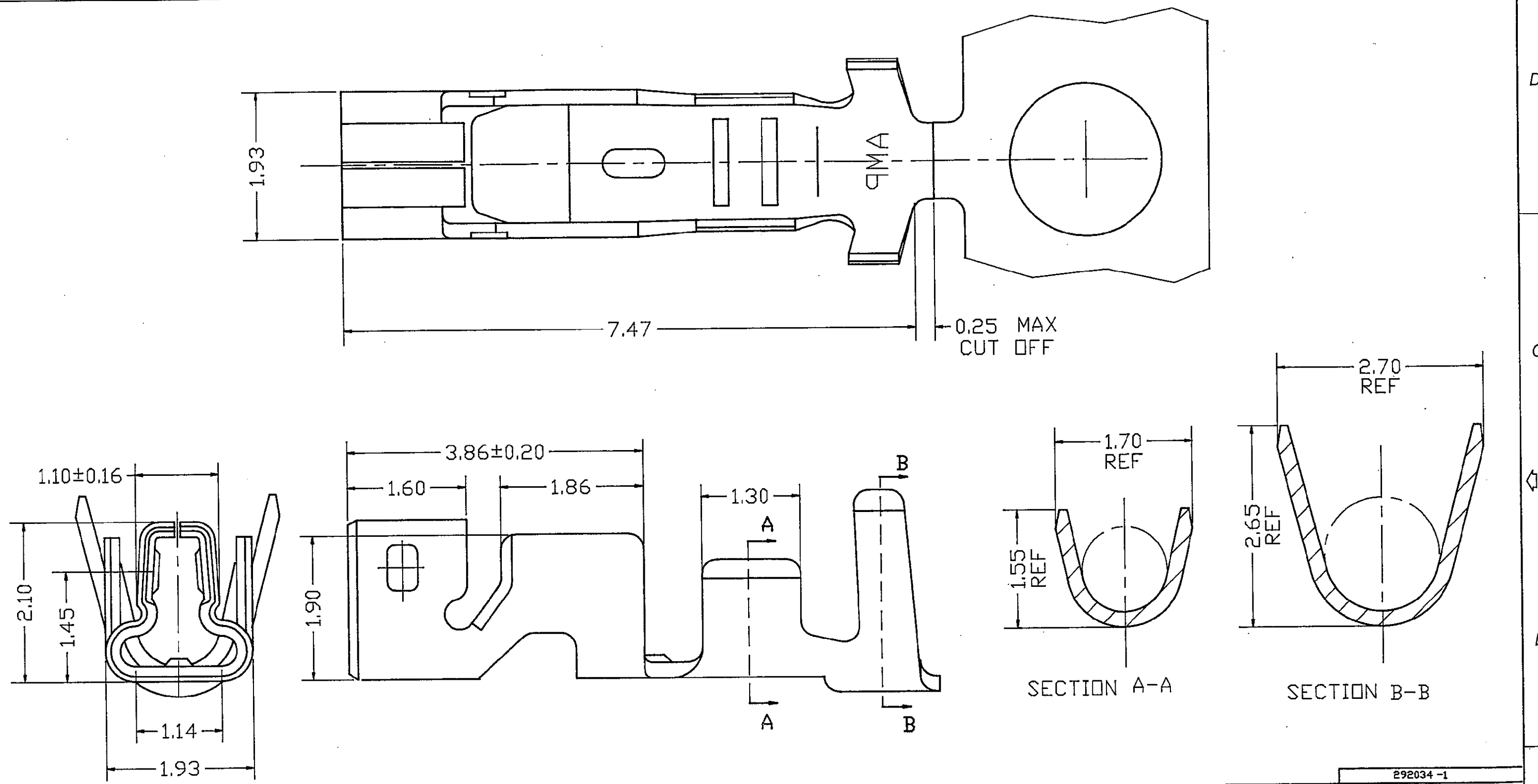


3RD ANGLE PROJECTION



				292034 -1		PART NO	
				COPYRIGHT C19		COPYRIGHT C19--- AMP SHANGHAI LTD ALL RIGHTS RESERVED	
				AMP		AMP SHANGHAI LTD.	
D	REVISED	F300-0197-97	SY	ML	281397	PRODUCT SPEC	108-60007
C	REVISED	F300-0044-97		S.YAL	270397	APPLICATION SPEC	114-58000
B	REVISED	F300-0029-97		M.LIU	260997	(MATERIAL)	0.20 THK PH BRZ
A	REVISED	F300-0018-97		M.LIU	180697	(FINISH)	PRE-TIN PLATING
Q	REV RELEASED	F300-0027-96			128296	DR	M.LIU
LTR	RIVISION RECODE		DR	CHK	DATE	CHK	J.LEE
						NAME	CONTACT CRIMP-SNAP II METRIC INTERCONNECT SYSTEM
						DO NOT SCALE PRINT, UNLESS SPECIFIED DIMENSIONS IN MM TOLERANCES ON: 2 PLC DEC ± 0.13 3 PLC DEC ± ANGLES	SIZE A3 LOC ES SCALE 20:1
						(No.)	292034
						REV	D
						SHEET	1 of 1