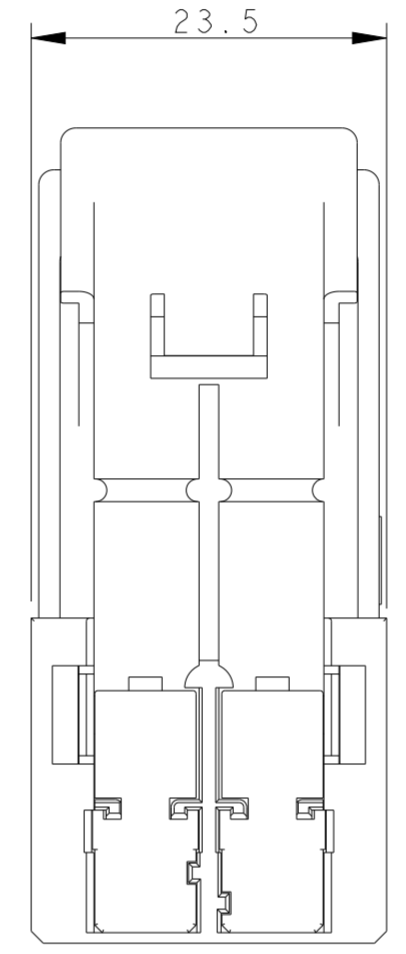
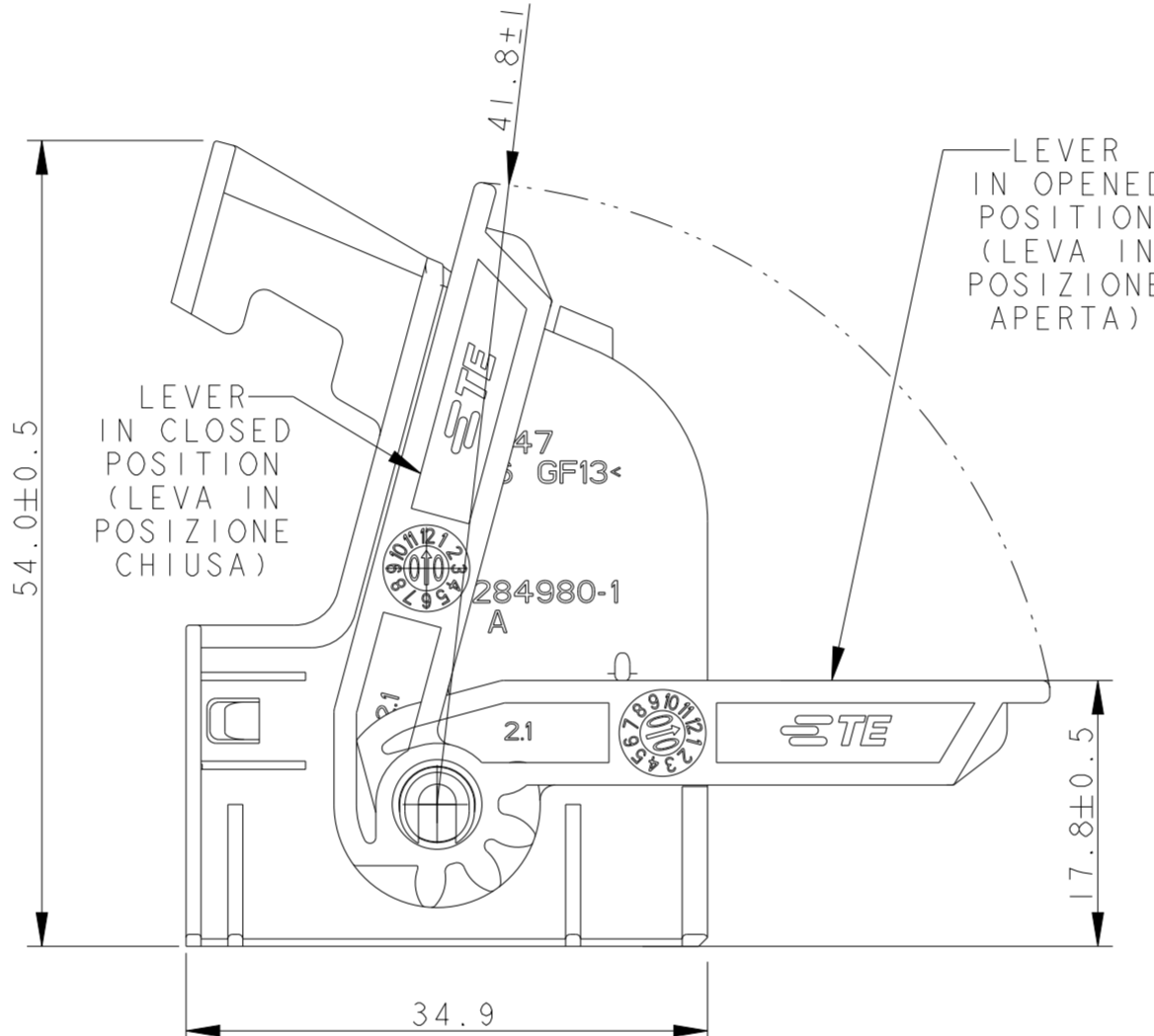
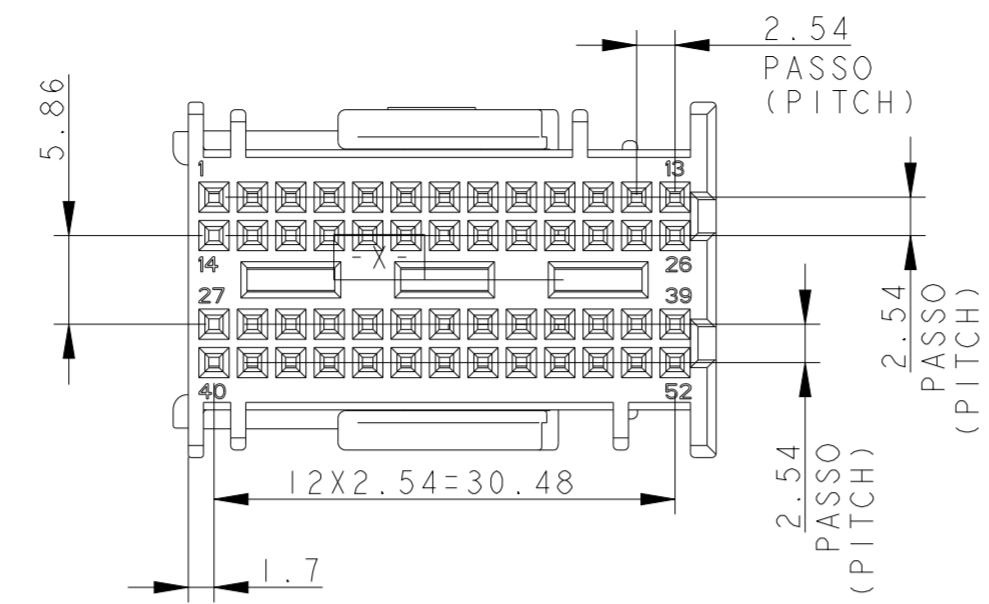
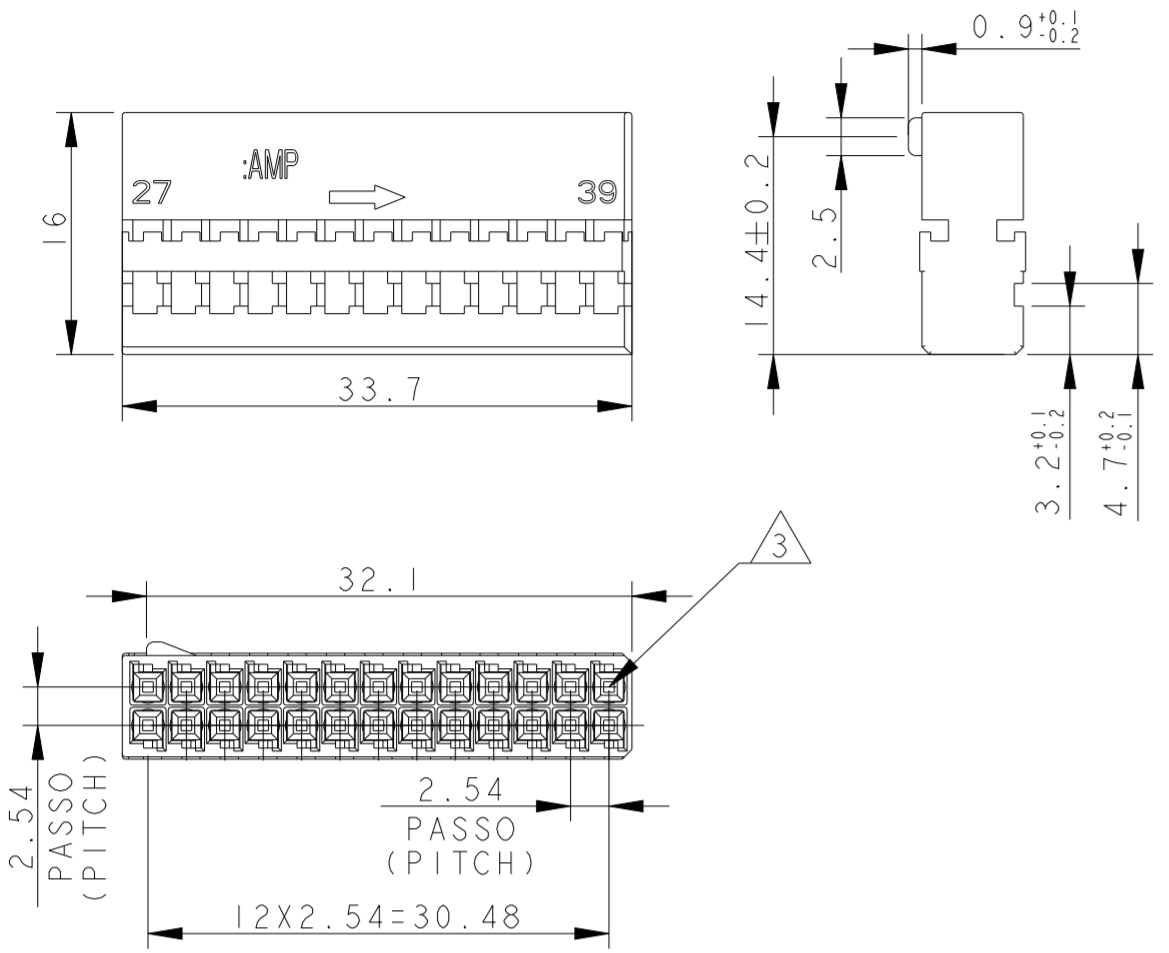


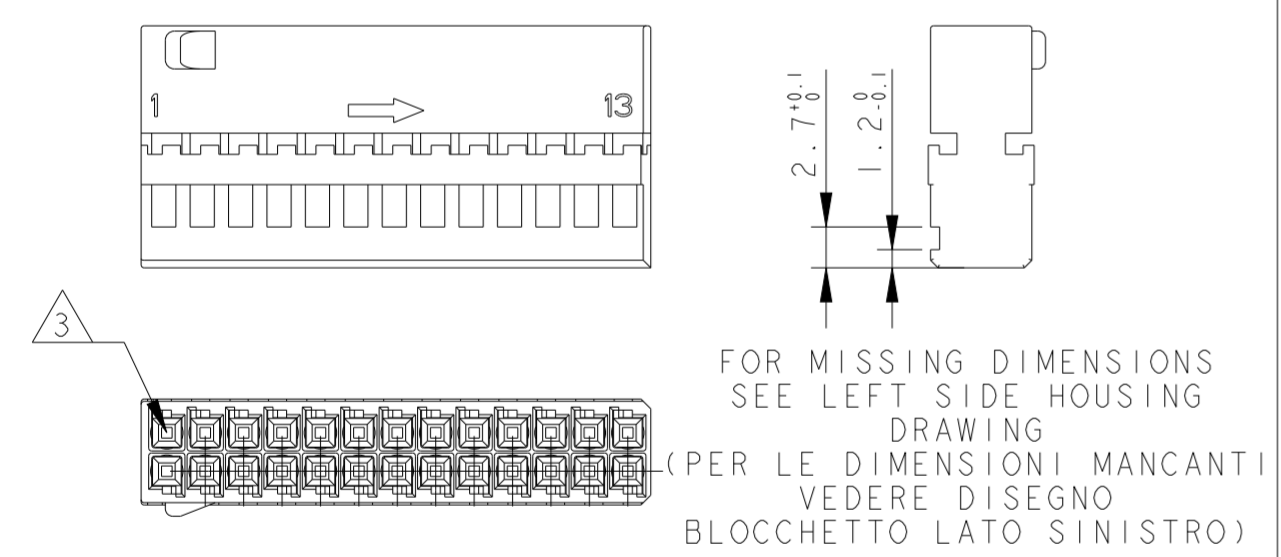
REVISIONS					
P	LTR	DESCRIPTION	DATE	DWN	APVD
A1		REL. FOR PRODUCTION (ET00-0131-04)	14MAR2005	M.B.	O.C.
A2		ECR-12-01970	16NOV2012	M.P.	M.G.
A3		REVISED PER ECO-18-007863	21MAY2018	A.P.	V.N.
A4		REVISED PER ECN-23-227755	24AUG2023	V.N.	V.N.

P.N. 284972-1 AS SHOWN
 COME MOSTRATO

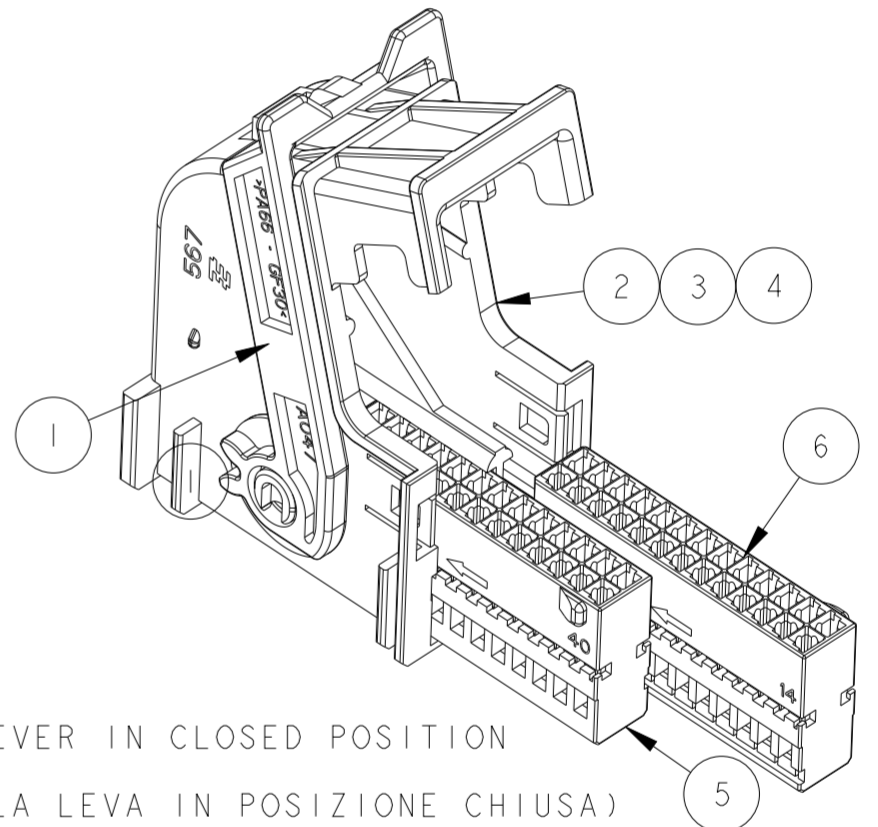
DIMENSIONS FOR LEFT SIDE HOUSING
 COLOR BLACK - POS. 27-52 - ITEM 5
 (DIMENSIONI BLOCCETTO LATO SINISTRO
 COLORE NERO - VIE 27-52 - COMPONENTE No 5)



DIMENSIONS FOR RIGHT SIDE HOUSING
 COLOR GRAY - POS. 1-26 - ITEM 6
 (DIMENSIONI BLOCCETTO LATO DESTRO
 COLORE GRIGIO - VIE 1-26 - COMPONENTE No 6)



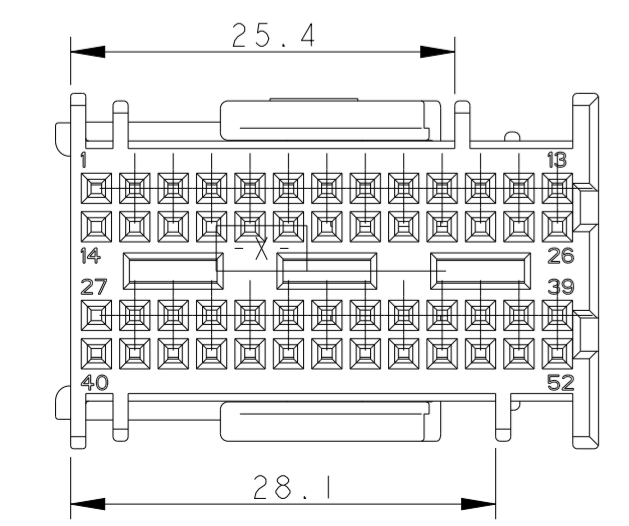
PART LIST (LISTA COMPONENTI)					
ITEM (NO.)	DESCRIPTION (DESCRIZIONE)	MATERIAL (MATERIALE)	QUANTITY REQUIRED PER ASSEMBLY (QUANTITA' RICHIESTA PER ASSEMBLATO)		
1	LEVER (LEVA)	PA66 GF COLOR RED (COLORE ROSSO)	1	1	1
2	COVER (CORAZZA)	PA66 GF COLOR BLACK (COLORE NERO)	1		
3	COVER (CORAZZA)	PA66 GF COLOR BLUE (COLORE BLU)		1	
4	COVER (CORAZZA)	PA66 GF COLOR GREY (COLORE GRIGIO)			1
5	REC. HOUSING 26 POS. (BLOCCETTO PORTA FEMMINE 26 VIE)	PBT GF COLOR BLACK (COLORE NERO)	1	1	1
6	REC. HOUSING 26 POS. (BLOCCETTO PORTA FEMMINE 26 VIE)	PBT GF COLOR GRAY (COLORE GRIGIO)	1	1	1



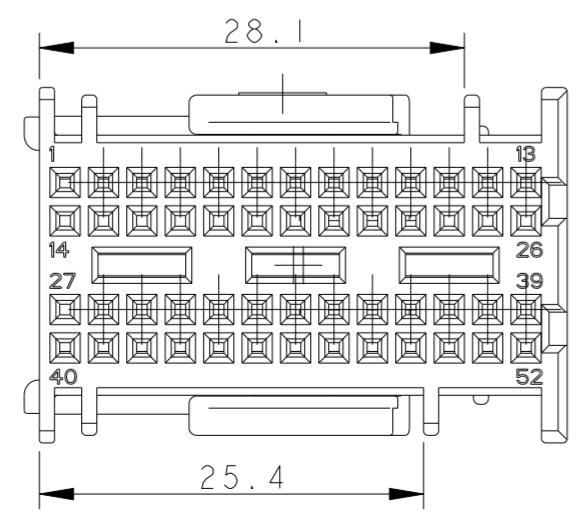
NOTES

- 1) THE PRODUCT IS SUPPLIED WITH LEVER IN CLOSED POSITION (IL PRODOTTO VIENE FORNITO CON LA LEVA IN POSIZIONE CHIUSA)
- 2) INTERFACE DRAWING: SEE SHEET 2 of 2 (DISEGNO DI INTERFACCIA: VEDERE FOGLIO 2 di 2)
- 3) NUMBER 26+26 CAVITIES SUITABLE FOR MICRO QUADLOCK SYSTEM FEMALE CONTACTS P.N. 928999-1 WIRE RANGE 0.25-0.5 mm² AND P.N. 963715-1 WIRE SECTION 0.75 mm² (NUMERO 26+26 CAVITA' PER CONTATTI FEMMINA MICRO QUADLOCK SYSTEM P.N. 928999-1 RANGO FILO 0.25-0.5 mm² E P.N. 963715-1 SEZIONE FILO 0.75 mm²)
- 4) NUMBER 1 SHELL + NUMBER 2 HOUSINGS ARE SUPPLIED IN KIT WITH EQUIVALENT NUMBER OF PIECES FOR EACH COMPONENT IN A BOX (NUMERO 1 CORAZZA + NUMERO 2 BLOCCETTI SONO FORNITI IN KIT CON PARI NUMERO DI PEZZI PER SCATOLA)

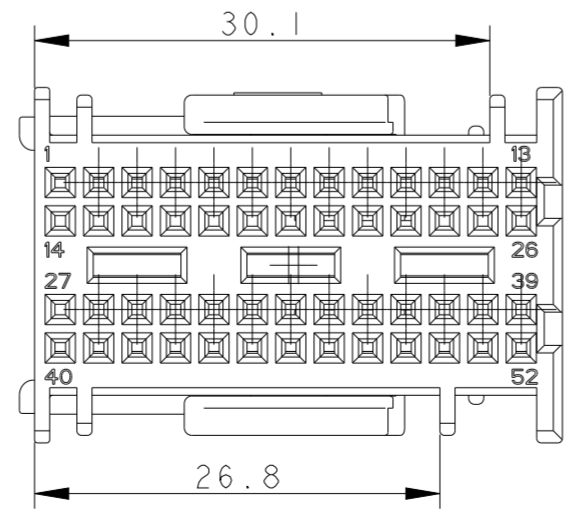
MECHANICAL CODING DIMENSIONS
 P.N. 284972-1 - COLOR BLACK
 (DIMENSIONI POLARIZZAZIONE
 MECCANICA P.N. 284972-1
 COLORE NERO)



MECHANICAL CODING DIMENSIONS
 P.N. 284972-2 - COLOR BLUE
 (DIMENSIONI POLARIZZAZIONE
 MECCANICA P.N. 284972-2
 COLORE BLU)



MECHANICAL CODING DIMENSIONS
 P.N. 284972-3 - COLOR GREY
 (DIMENSIONI POLARIZZAZIONE
 MECCANICA P.N. 284972-3
 COLORE GRIGIO)

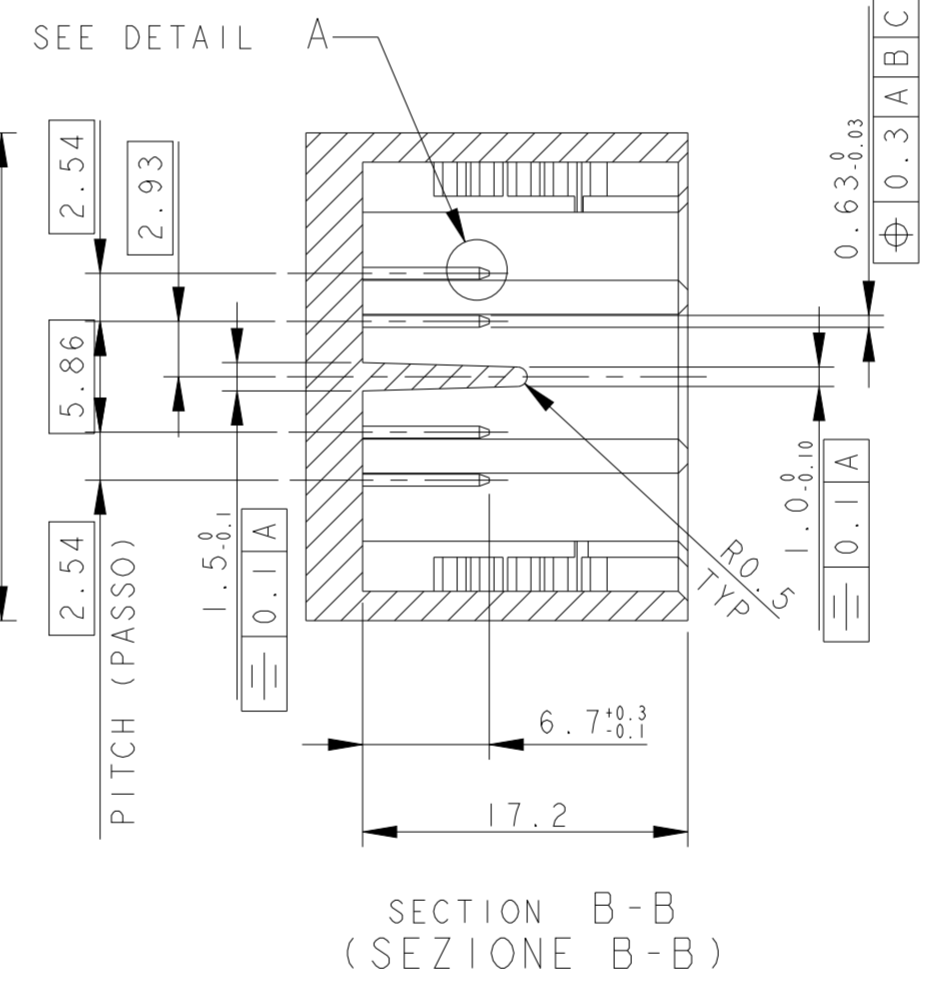
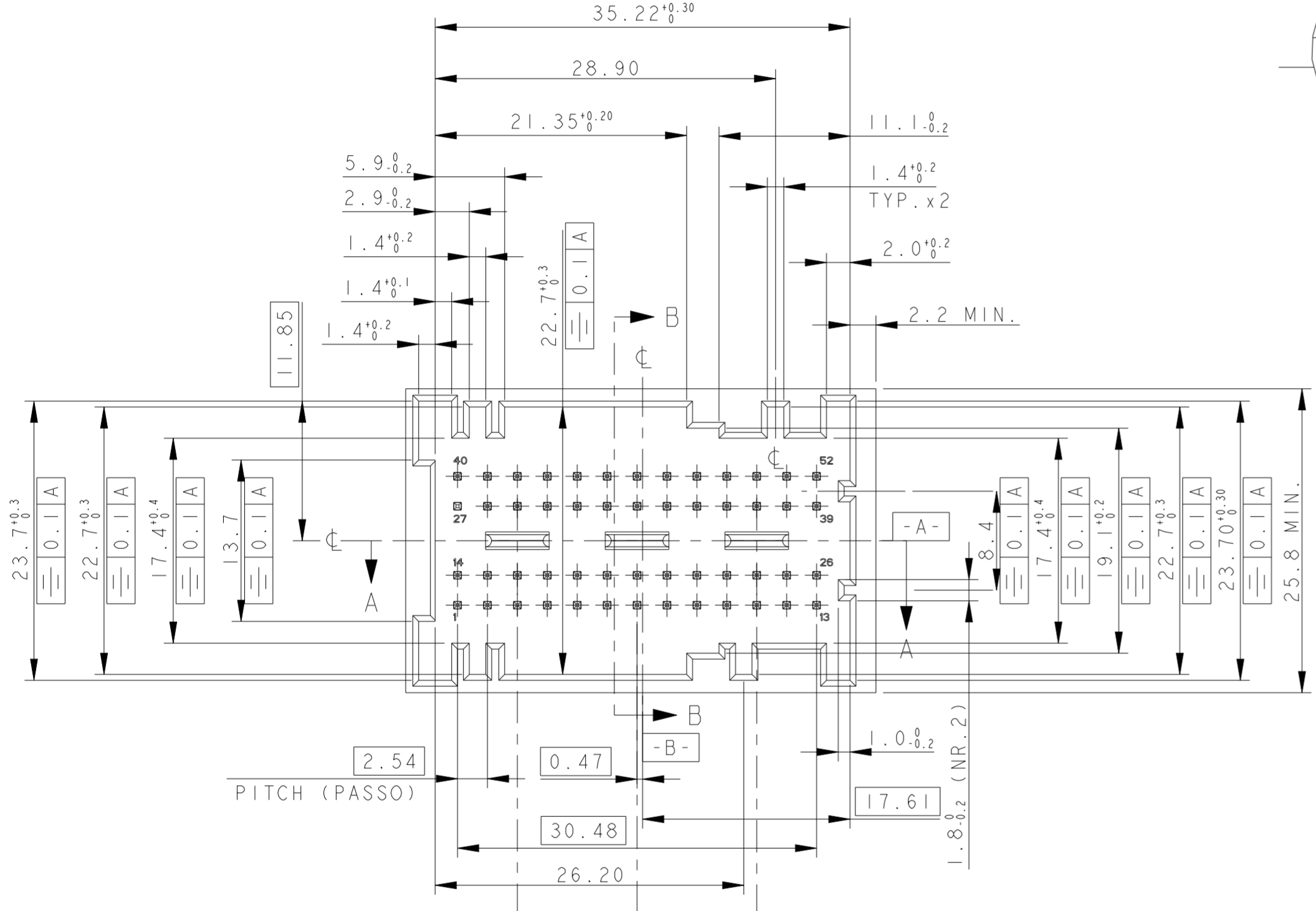
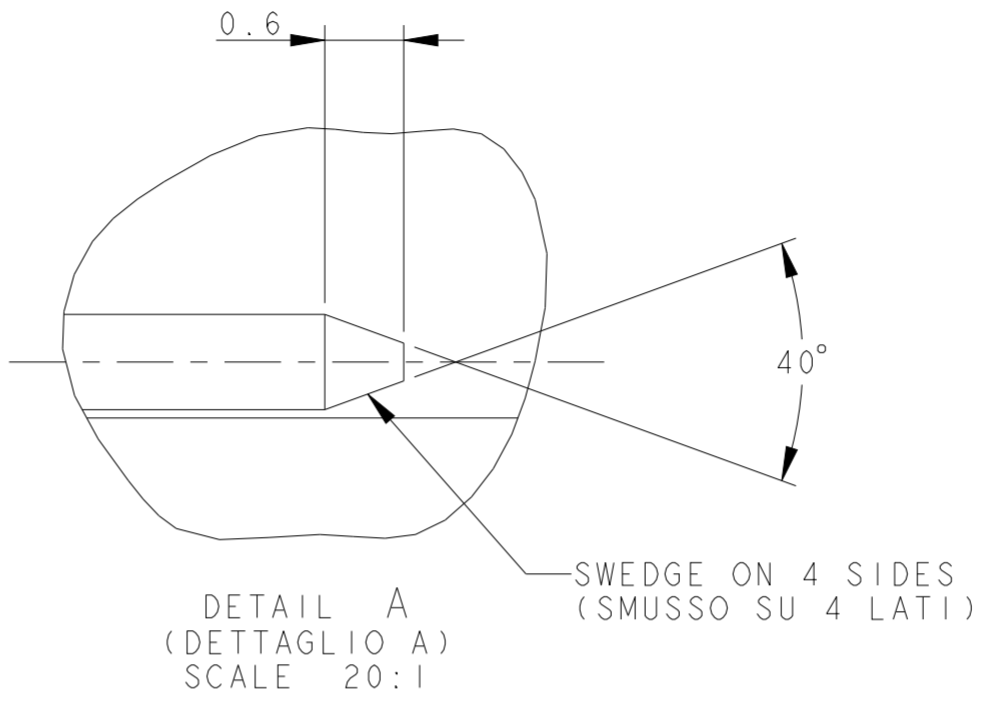
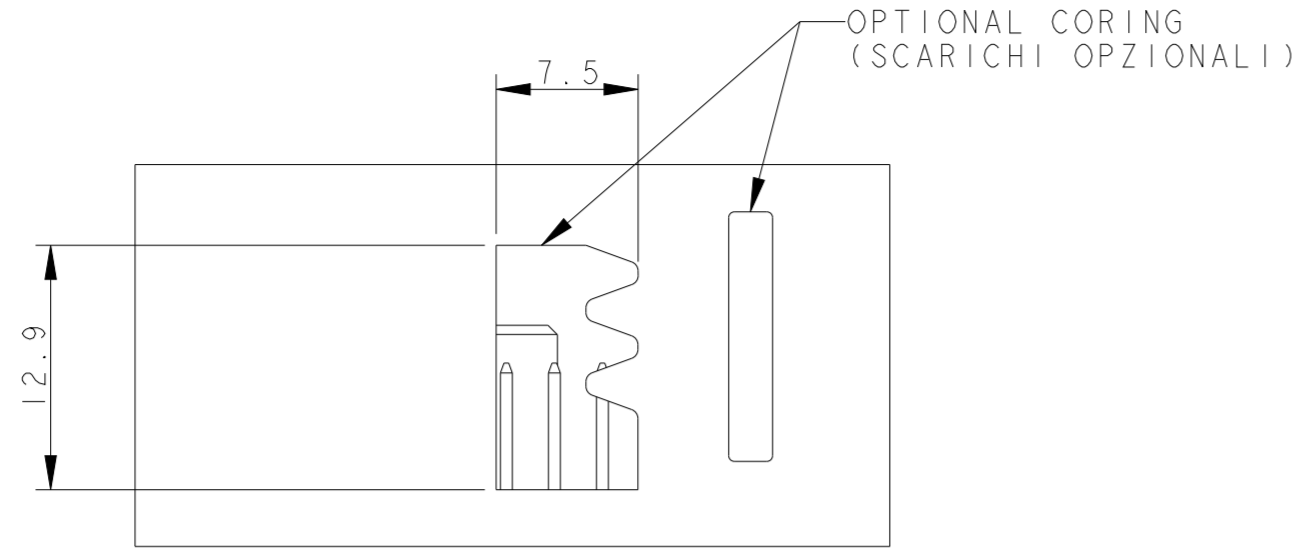


THIS DRAWING IS A CONTROLLED DOCUMENT.		DWN M. BARBERIS 17JUN03	TE Connectivity	
DIMENSIONS: mm		CHK O. CANUTO 11SEP2003		
TOLERANCES UNLESS OTHERWISE SPECIFIED:		APVD -	NAME	
0 PLC ±0.3		PRODUCT SPEC	KIT ASS'Y FOR	
1 PLC ±0.3		APPLICATION SPEC	52 (26+26) POSITIONS MQS FEMALE	
2 PLC ±0.3		WEIGHT	CONNECTOR FOR BODY COMPUTER	
3 PLC ±		RESTRICTED TO	SIZE CAGE CODE DRAWING NO	
4 PLC ±		SCALE 2:1	A20779G-284972	
ANGLES ±2°		SHEET 1 OF 2	REV A4	
MATERIAL SEE TABLE (VEDI TABELLA)		CUSTOMER DRAWING		

LOC		DIST		REVISIONS			
P	LTR	DESCRIPTION	DATE	DWN	APVD		
-	-	SEE SHEET 1	-	-	-		

NOTES (NOTE):

- 5) HOUSING MATERIAL: PA 66 (OR PBT) 10% G.F. MIN.
(MATERIALE DIMA: PA 66 (O PBT) 10% CARICA VETRO MIN.)
- 6) CONTACT MATERIAL: CuFe2 (OR BRASS) TIN PLATED 2-4µm THK.
(MATERIALE CONTATTO: CuFe2 (O OTTONE) STAGNATO; SPESSORE STAGNO: 2-4µm)



INTERFACE DRAWING

P/N	POLARIZATION KEY DETAIL (RAPPRESENTAZIONE POLARIZZAZIONI)	PLUG CONNECTOR
06-51061-1		284972-1 (BLACK)
	SEE BESIDE (VEDERE ACCANTO)	
06-51061-2		284972-2 (BLUE)
	DIFFERS FROM P/N 06-51061-1 FOR SHOWN DETAILS (DEFFERISCE DAL P/N 06-51061 PER I DETTAGLI IN FIGURA)	
06-51061-3		284972-3 (GREY)
	PRELIMINARY	

THIS DRAWING IS A CONTROLLED DOCUMENT.		DWN M. BARBERIS 17 JUN 03	TE Connectivity
		CHK O. CANUTO 11 SEP 2003	
DIMENSIONS: mm	TOLERANCES UNLESS OTHERWISE SPECIFIED:	APVD -	NAME
	0 PLC ±0.3	PRODUCT SPEC	KIT ASS'Y FOR
	1 PLC ±0.3	108-20258	52 (26+26) POSITIONS MQS FEMALE
	2 PLC ±0.3	APPLICATION SPEC	CONNECTOR FOR BODY COMPUTER
	3 PLC ±		SIZE CAGE CODE DRAWING NO
	4 PLC ±		A20779 C-284972
MATERIAL	FINISH ±2°	WEIGHT -	RESTRICTED TO
CUSTOMER DRAWING		SCALE 2:1	SHEET 2 OF 2 REV A4