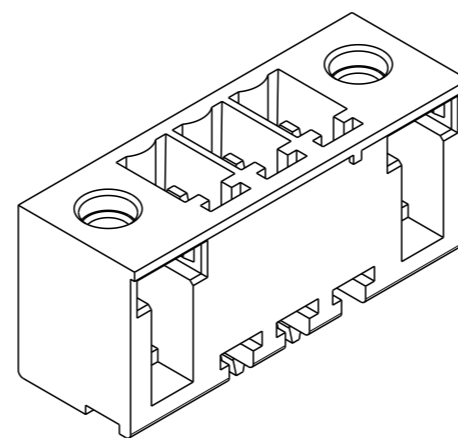
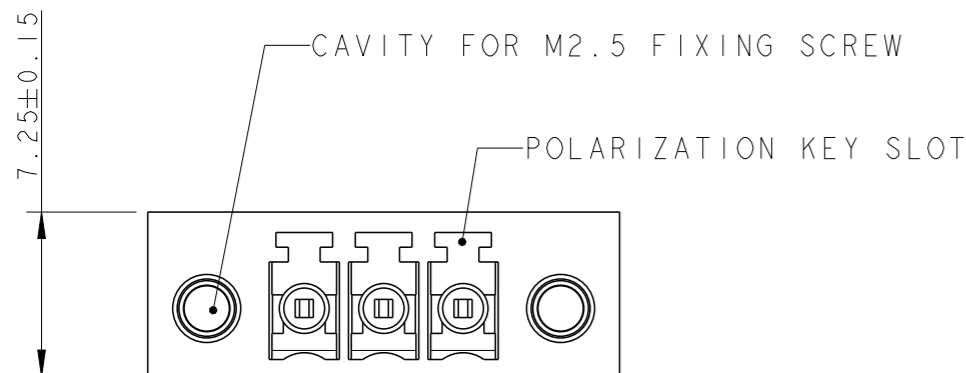
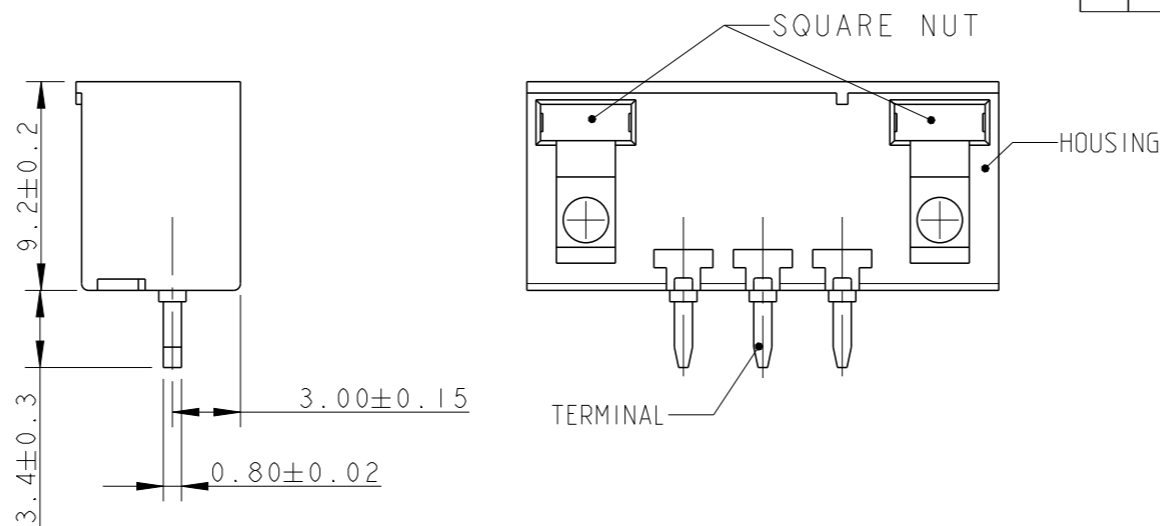
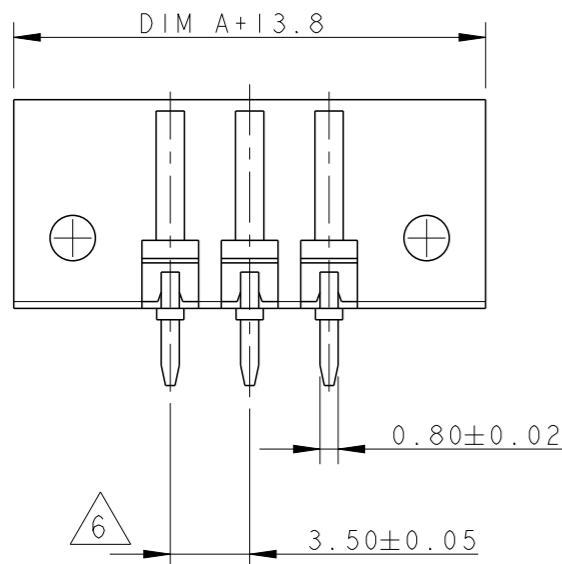


THIS DRAWING IS UNPUBLISHED. RELEASED FOR PUBLICATION 20
 © COPYRIGHT 20 BY - ALL RIGHTS RESERVED.

REVISIONS

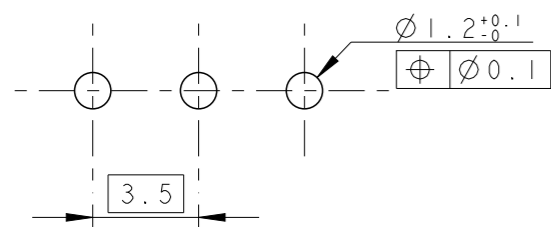
P	LTR	DESCRIPTION	DATE	DWN	APVD
	B2	SQUARE NUT PART INFORMATION ADDED	11MAY2018	RK	PS




284516-3 AS SHOWN

OBSOLETE	77.0	23	2-284516-3
	73.5	22	2-284516-2
	70.0	21	2-284516-1
	66.5	20	2-284516-0
	63.0	19	1-284516-9
OBSOLETE	59.5	18	1-284516-8
	56.0	17	1-284516-7
	52.5	16	1-284516-6
	49.0	15	1-284516-5
	45.5	14	1-284516-4
	42.0	13	1-284516-3
	38.5	12	1-284516-2
	35.0	11	1-284516-1
	31.5	10	1-284516-0
	28.0	9	284516-9
	24.5	8	284516-8
	21.0	7	284516-7
17.5	6	284516-6	
14.0	5	284516-5	
10.5	4	284516-4	
7.0	3	284516-3	
3.5	2	284516-2	
DIM A	NO OF POS	PART NUMBER	

RECOMMENDED PC BOARD LAYOUT



THIS DRAWING IS A CONTROLLED DOCUMENT.		DWN 06FEB2002 EZ	 TE Connectivity	
DIMENSIONS: mm		CHK 06FEB2002 E. ZANOLINI		
TOLERANCES UNLESS OTHERWISE SPECIFIED:		APVD 06FEB2002 D. BIEVENOUR	NAME TERMINAL BLOCK, HEADER ASSEMBLY STRAIGHT, 3.5mm PITCH WITH THREADED FLANGE	
0 PLC ±- 1 PLC ±0.3 2 PLC ±0.25 3 PLC ±- 4 PLC ±- ANGLES ±2		PRODUCT SPEC	RESTRICTED TO	
MATERIAL SEE NOTES		APPLICATION SPEC	SIZE A300779	CAGE CODE C-284516
FINISH SEE NOTES		WEIGHT -	SCALE 3:1 SHEET 1 OF 2 REV B2	
		CUSTOMER DRAWING		

THIS DRAWING IS UNPUBLISHED.

RELEASED FOR PUBLICATION

20

© COPYRIGHT 20 BY -

ALL RIGHTS RESERVED.


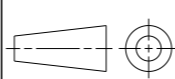
REVISIONS

P	LTR	DESCRIPTION	DATE	DWN	APVD
	-	SEE SHEET 1	-	-	-

NOTES:

1. MATERIALS AND FINISH
HOUSING : PA 6.6, UL 94-V0, COLOR GREEN
TERMINAL : PHOSPHOR BRONZE, TIN PLATED
SQUARE NUT : BRASS, NICKEL PLATED.
2. MECHANICAL
MAX. INSERTION FORCE PER POLE : 3.0 N
MIN. WITHDRAWAL FORCE PER POLE : 1.5 N
MIN. PC BOARD HOLES DIAMETER : 1.2 mm
MAX. PC BOARD THICKNESS : 2.4 mm
3. ELECTRICAL
WIRE RANGE : 14-30 AWG
MAX. VOLTAGE : 300 V
MAX CURRENT : 11 A
CONTACT RESISTANCE : <15 m Ohm
INSULATION RESISTANCE : >1000 M Ohm (500V DC)
4. OPERATING TEMPERATURE RANGE: -40°C TO +110°C
5. CONNECTOR ASSEMBLY INCLUDED 2 SQUARE NUTS
LOADED IN CAVITY

 NOT CUMULATIVE TOLERANCE

THIS DRAWING IS A CONTROLLED DOCUMENT.		DWN EZ	06FEB2002	 TE Connectivity			
DIMENSIONS: mm		CHK E. ZANOLINI	06FEB2002				
		APVD D. BIEVENOUR	06FEB2002	NAME TERMINAL BLOCK, HEADER ASSEMBLY STRAIGHT, 3.5mm PITCH WITH THREADED FLANGE			
TOLERANCES UNLESS OTHERWISE SPECIFIED:		PRODUCT SPEC		SIZE	CAGE CODE	DRAWING NO	RESTRICTED TO
0 PLC ±-	1 PLC ±0.3	APPLICATION SPEC		A3	00779	C-284516	-
2 PLC ±0.25	3 PLC ±-	WEIGHT	-	CUSTOMER DRAWING		SCALE	3:1
4 PLC ±-	ANGLES ±2					SHEET	2 OF 2
MATERIAL SEE NOTES	FINISH SEE NOTES					REV	B2