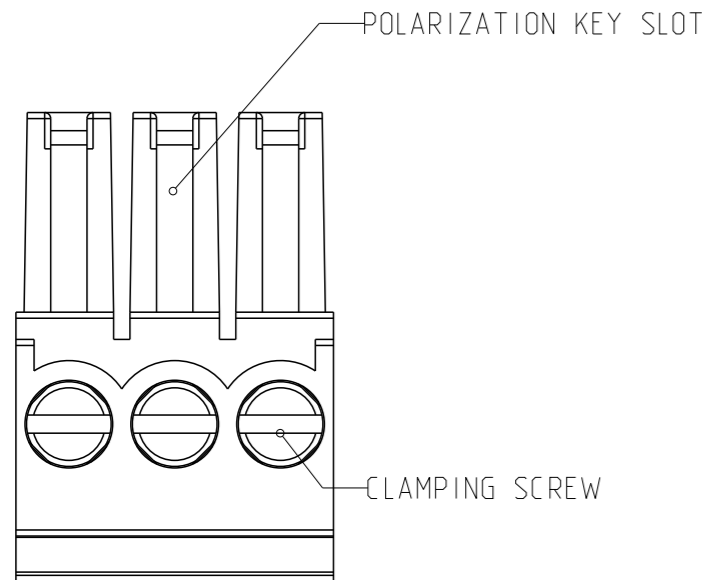
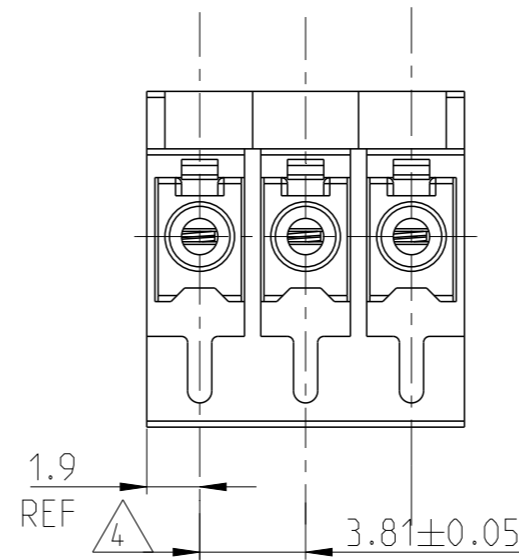
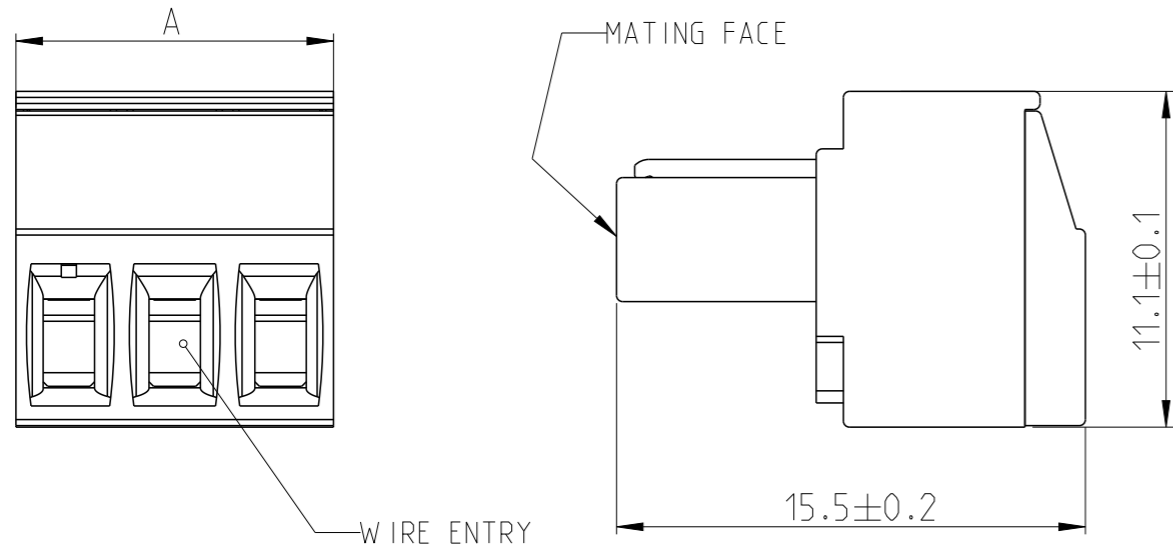


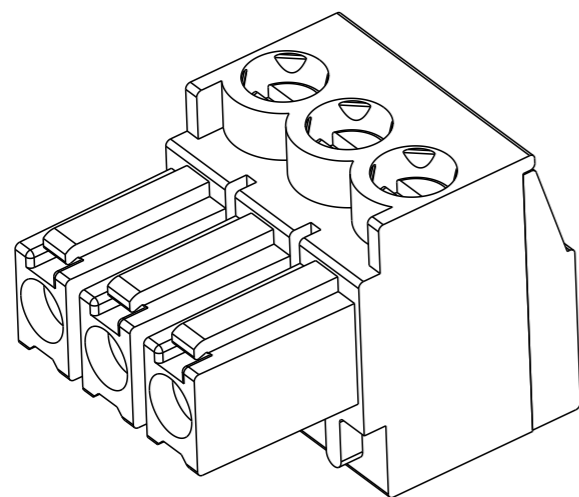
P	LTR	DESCRIPTION	DATE	DWN	APVD
	C2	REVISED PER ECO-14-015436	13OCT2014	NK	MM
	C3	UPDATED THE NOTES	12FEB2024	SP	PS



NOTES:

- 1 MATERIALS AND FINISH  
 HOUSING : PA 6.6, UL 94-V0, COLOR GREEN  
 CLAMP : BRASS, NICKEL PLATED  
 TERMINAL: BRASS, TIN PLATED  
 CONTACT SPRING: PHOSPHOR BRONZE, TIN PLATED  
 CLAMPING SCREW: M2, BRASS, NICKEL PLATED
- 2. END-TO-END STACKABLE WITHOUT LOSS OF CENTERLINE SPACING
- 3. ELECTRICAL  
 WIRE SIZE RANGE : 14 - 30 AWG  
 RATED VOLTAGE : 300V  
 RATED CURRENT : 11A  
 INSULATION RESISTANCE : >1000 MΩ (500V DC)
- 4 NOT CUMULATIVE TOLERANCE
- 5 HOUSING: PA 6.6, UL 94-V0, COLOR:RED
- 6 OBSOLETE
- 7. MECHANICAL  
 WIRE STRIPPING LENGTH : 5-6 mm  
 RECOMMENDED TIGHTENING TORQUE : 0.2 Nm
- 8. OPERATING TEMPERATURE RANGE : -40°C TO +105°C.

DIM A	NO OF POS	PART NUMBER
19.05	5	3-284507-5
10.50	4	3-284507-4
7.00	3	3-284507-3
95.25	25	2-284507-5
91.44	24	2-284507-4
87.63	23	2-284507-3
83.82	22	2-284507-2
80.01	21	2-284507-1
76.20	20	2-284507-0
72.39	19	1-284507-9
68.58	18	1-284507-8
64.77	17	1-284507-7
60.96	16	1-284507-6
57.15	15	1-284507-5
53.34	14	1-284507-4
49.53	13	1-284507-3
45.72	12	1-284507-2
41.91	11	1-284507-1
38.10	10	1-284507-0
34.29	9	284507-9
30.48	8	284507-8
26.67	7	284507-7
22.86	6	284507-6
19.05	5	284507-5
15.24	4	284507-4
11.43	3	284507-3
7.62	2	284507-2



284507-3 AS SHOWN

THIS DRAWING IS A CONTROLLED DOCUMENT.		DWN E. ZANOLINI 05FEB2002														
DIMENSIONS: mm		CHK E. ZANOLINI 05FEB2002														
TOLERANCES UNLESS OTHERWISE SPECIFIED:		APVD D. BIEVENOUR 05FEB2002	NAME TERMINAL BLOCK PLUG STACKING 3.81mm PITCH													
<table border="1"> <tr><td>0 PLC</td><td>±</td></tr> <tr><td>1 PLC</td><td>±0.30</td></tr> <tr><td>2 PLC</td><td>±0.25</td></tr> <tr><td>3 PLC</td><td>±</td></tr> <tr><td>4 PLC</td><td>±</td></tr> <tr><td>ANGLES</td><td>±2°</td></tr> </table>		0 PLC	±	1 PLC	±0.30	2 PLC	±0.25	3 PLC	±	4 PLC	±	ANGLES	±2°	PRODUCT SPEC 108-20166	RESTRICTED TO	
0 PLC	±															
1 PLC	±0.30															
2 PLC	±0.25															
3 PLC	±															
4 PLC	±															
ANGLES	±2°															
MATERIAL		APPLICATION SPEC 114-20079	SIZE A3	CAGE CODE 00779												
FINISH		WEIGHT -	DRAWING NO C=284507	SCALE 4:1												
CUSTOMER DRAWING		SHEET 1 OF 1		REV C3												