

THIS DRAWING IS UNPUBLISHED.

RELEASED FOR PUBLICATION

20

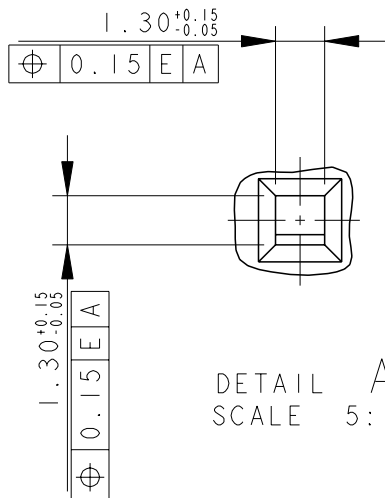
© COPYRIGHT 20 BY -

ALL RIGHTS RESERVED.

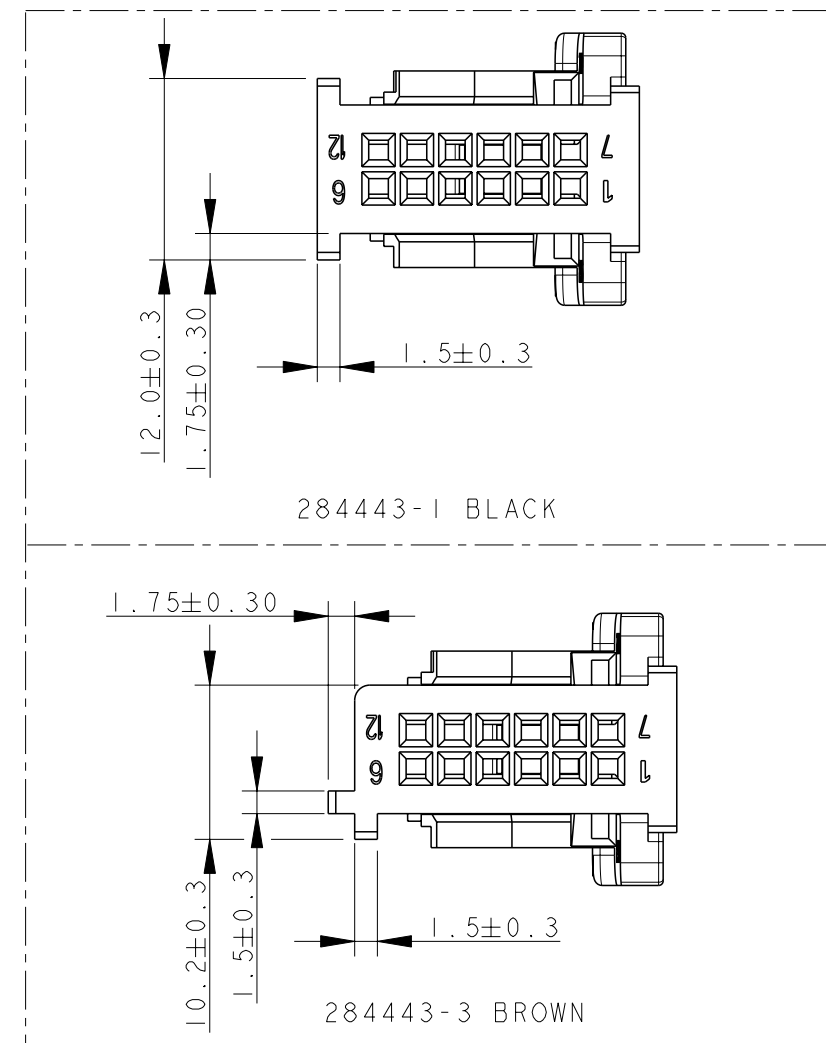
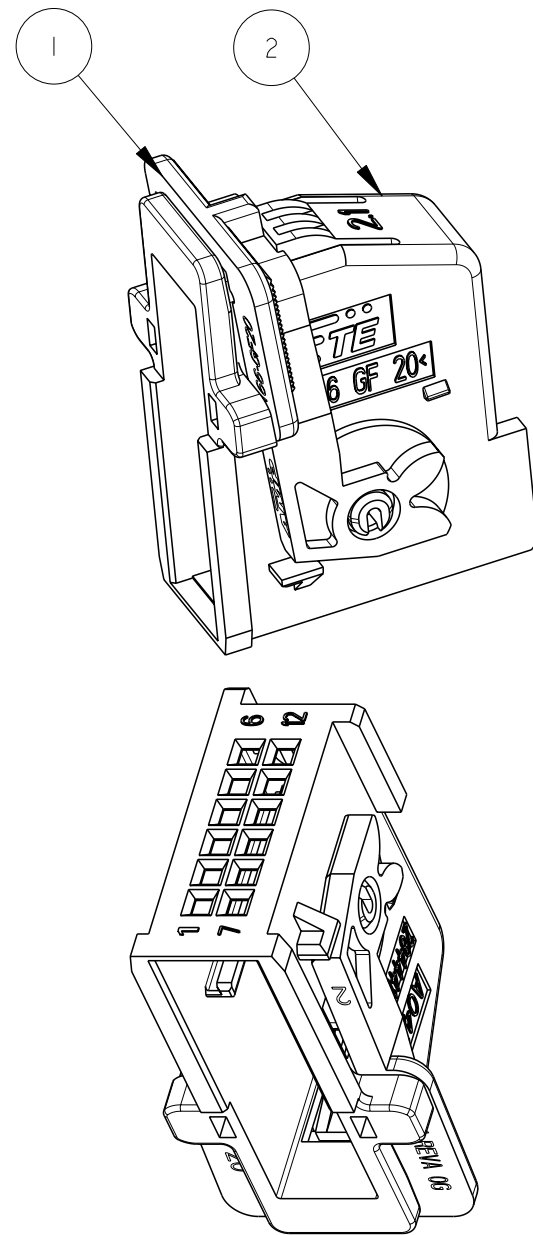
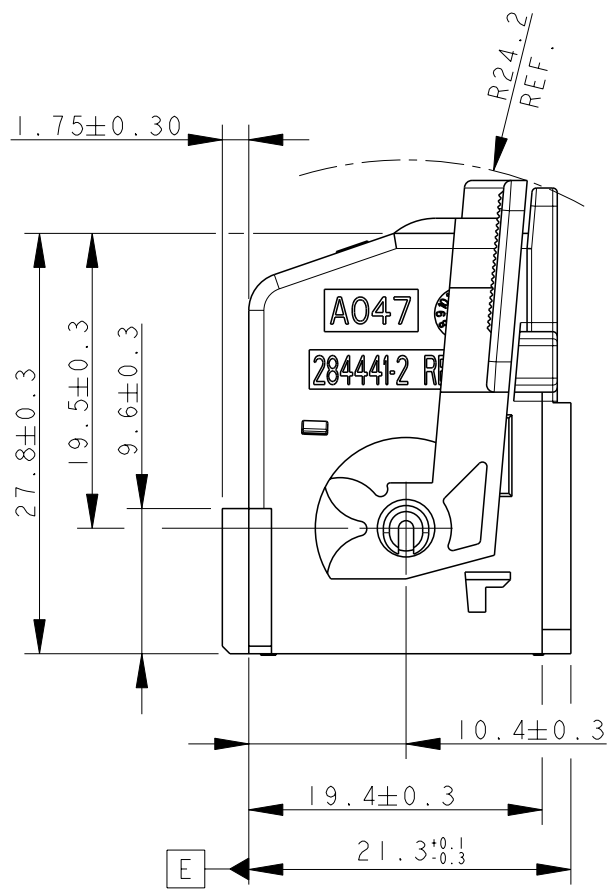
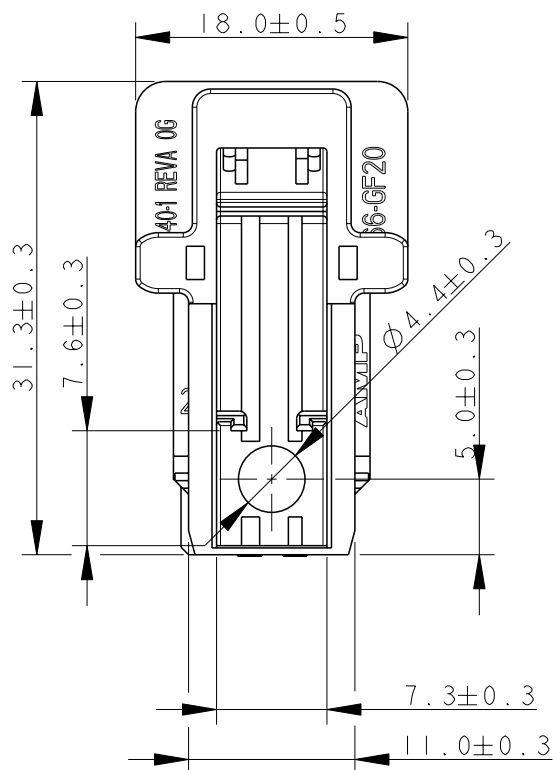
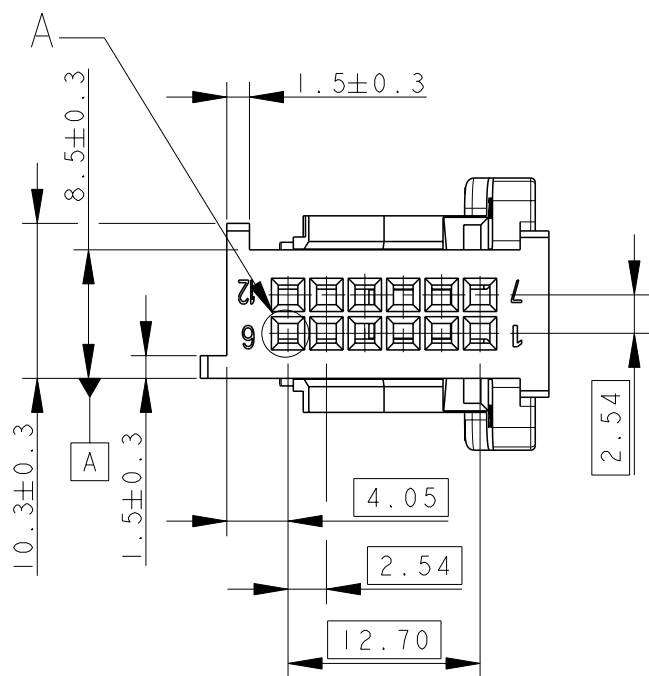
REVISIONS

| P | LTR | DESCRIPTION | DATE | DWN | APVD |
|----|-----|---|-----------|-------|-------|
| A2 | | ADDED P/NS ON SHEET 3 (ECR-14-017917) | 01DEC14 | F. A. | A. P. |
| A3 | | 284443-7 RELEASED FOR PRODUCTION ECR-15-008125 | 28MAY2015 | A. B. | A. P. |
| A4 | | COLOR NOTE OF -8 UPDATE (ECR-15-9118) | 16JUN2015 | A. B. | A. P. |
| A5 | | ECO-16-002376 | 19FEB2016 | M. G. | M. G. |

SEE DETAIL A




DETAIL A
SCALE 5:1



284443-2 BLUE, AS SHOWN

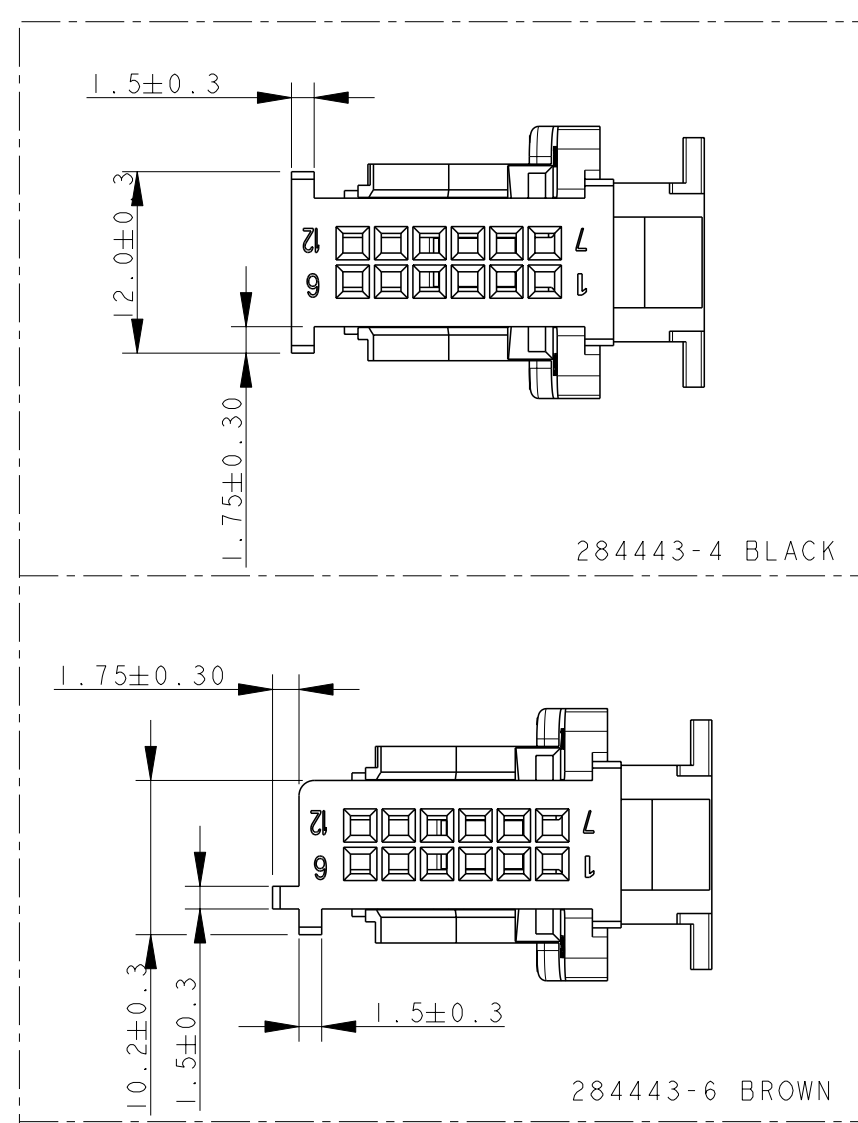
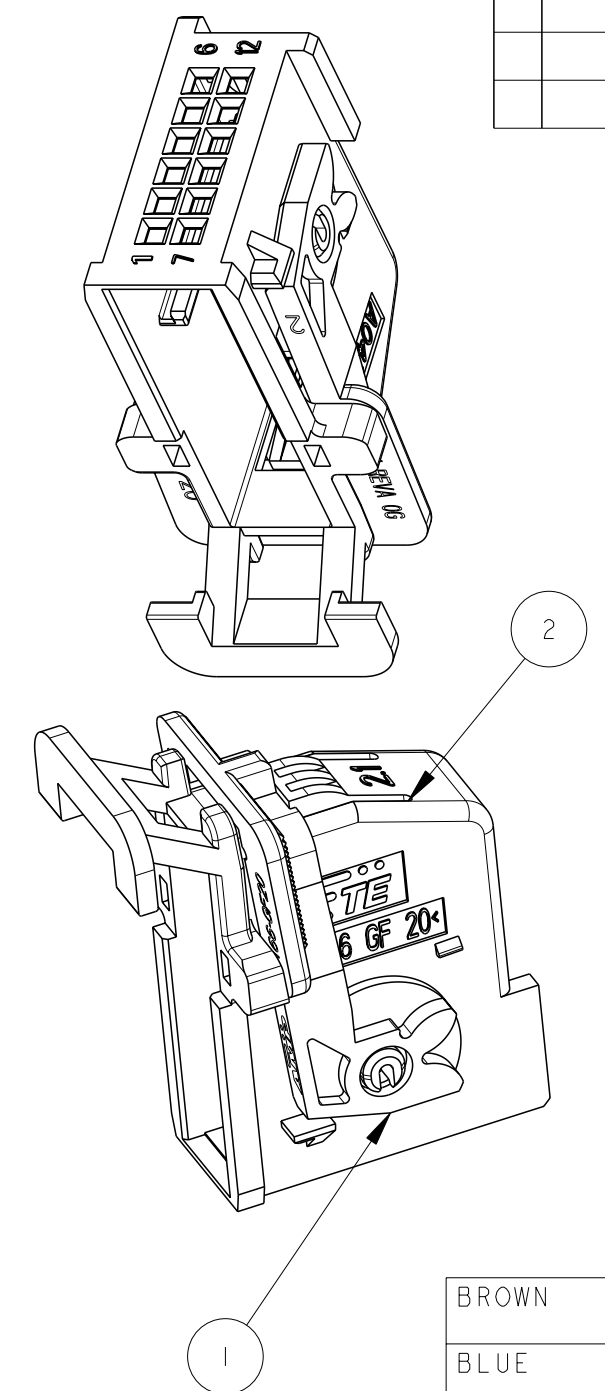
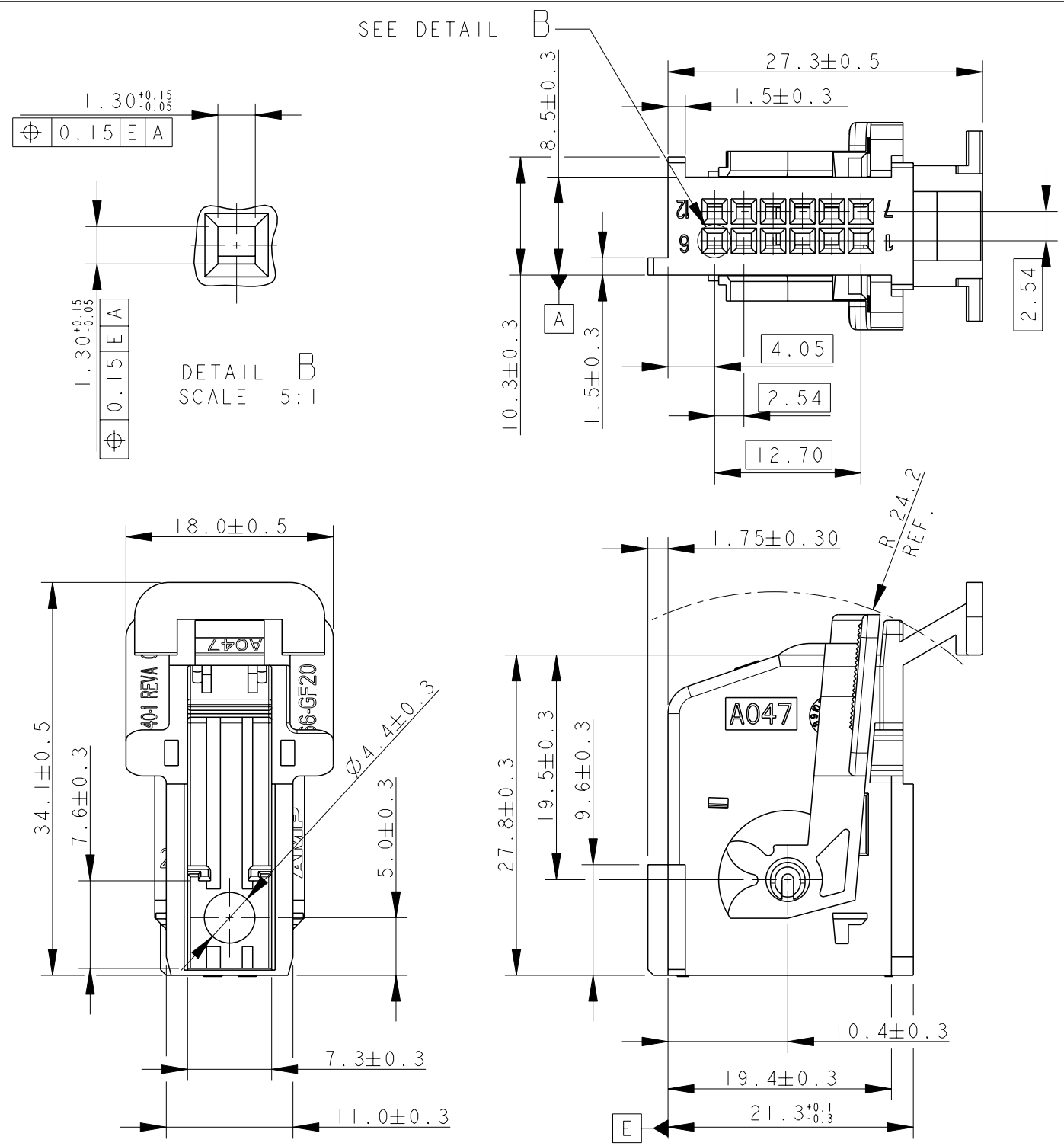
- 1) MATERIAL: PA 6.6 G.F. FILLED
- 2) COVER PLUS LEVER SUITABLE FOR PLUG HOUSING P/N 284442-1
- 3) FOR COUNTERPART DETAILS SEE 208-15544

| | | | | | | |
|---|--|--------------------------------|--|----------------|------------------------|--------------------|
| THIS DRAWING IS A CONTROLLED DOCUMENT. | | DWN M. PALMA 17SEPT'99 |  TE Connectivity NAME COVER + LEVER FOR 12 POSITION MICRO QUADLOK SYSTEM PLUG HOUSING | | | |
| DIMENSIONS: mm | | CHK R. MARTINI 17SEPT'99 | | | | |
| TOLERANCES UNLESS OTHERWISE SPECIFIED: | | APVD A. GENTA 17SEPT'99 | | | | |
| 0 PLC ±0.3 1 PLC ±0.3 2 PLC ±. 3 PLC ±. 4 PLC ±. ANGLES ±2 FINISH - | | PRODUCT SPEC 108-20222 | | | | |
| MATERIAL NOTE 1) | | APPLICATION SPEC 411-15565 | SIZE A3 | CAGE CODE - | DRAWING NO C-284443 | RESTRICTED TO - |
| - | | WEIGHT 3.3 g | SCALE 2:1 | | SHEET 1 OF 3 | REV A5 |
| - | | Customer Drawing | | | | |

THIS DRAWING IS UNPUBLISHED. RELEASED FOR PUBLICATION 20
 © COPYRIGHT 20 BY - ALL RIGHTS RESERVED.

REVISIONS

| P | LTR | DESCRIPTION | DATE | DWN | APVD |
|---|-----|-------------|------|-----|------|
| - | - | SEE SHEET 1 | - | - | - |



284443-5 BLUE, AS SHOWN

- 1) MATERIAL: PA 6.6 G.F. FILLED
- 2) COVER PLUS LEVER SUITABLE FOR PLUG HOUSING P/N 284442-1
- 3) SAME AS -1, -2, -3, BUT PROVIDED WITH CABLE TIE SEAT
- 4) FOR COUNTERPART DETAILS SEE 208-15544

| | | | | |
|--------------------------|--------------------------|-------------|--------------|----------|
| BROWN | BLACK | SEE NOTE 3) | A | 284443-6 |
| BLUE | BLACK | SEE NOTE 3) | A | 284443-5 |
| BLACK | BLACK | SEE NOTE 3) | A | 284443-4 |
| ITEM (2) COVER COLOUR | ITEM (1) LEVER COLOUR | NOTES | ASSY REV. | ASSY P/N |

THIS DRAWING IS A CONTROLLED DOCUMENT.

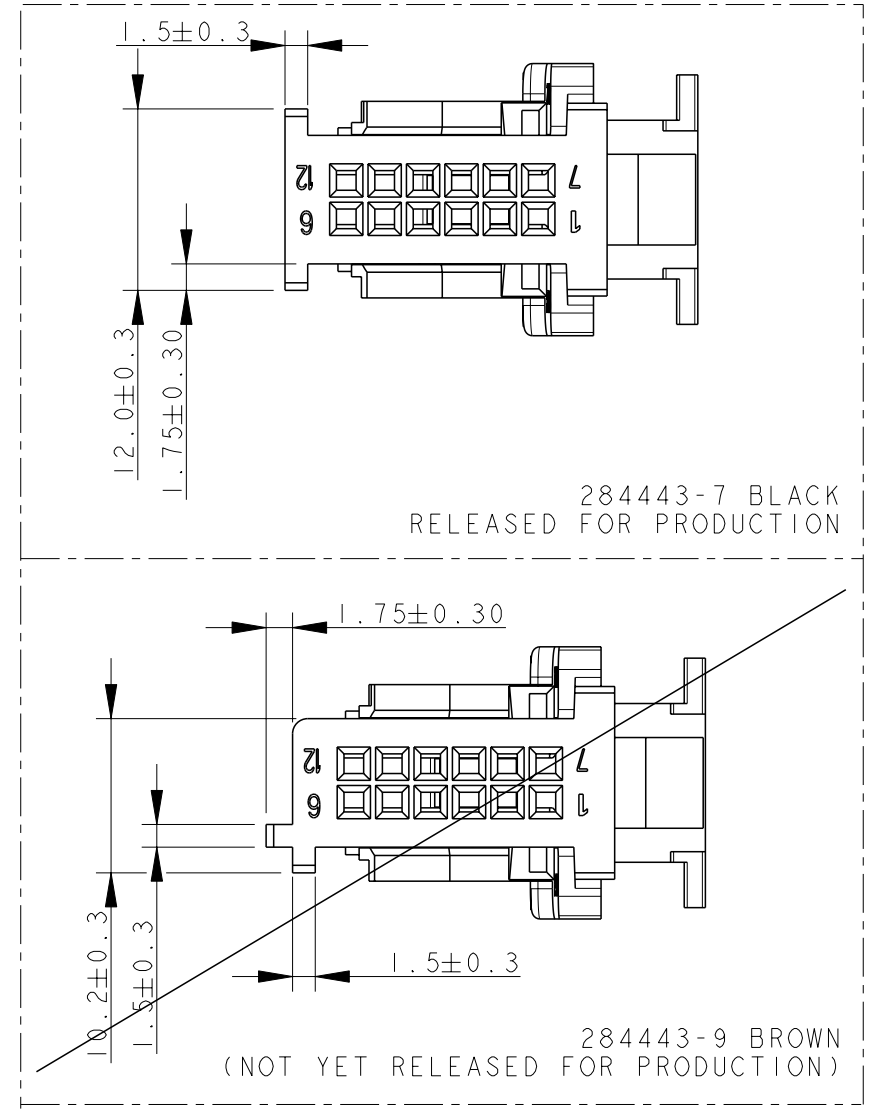
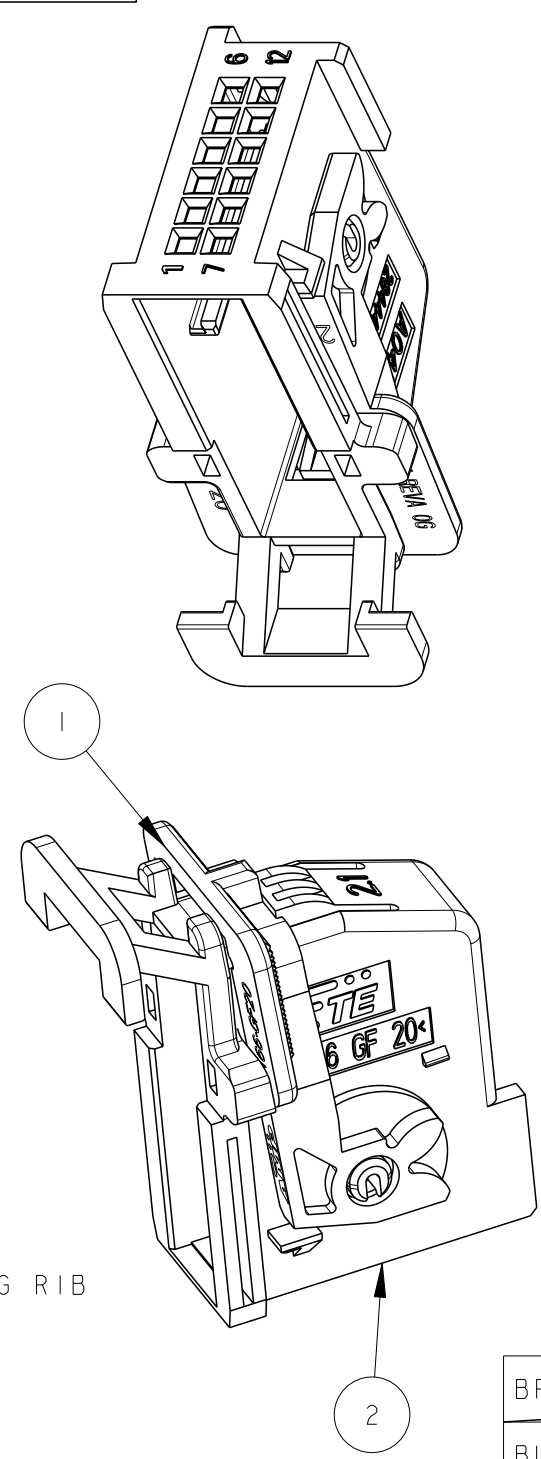
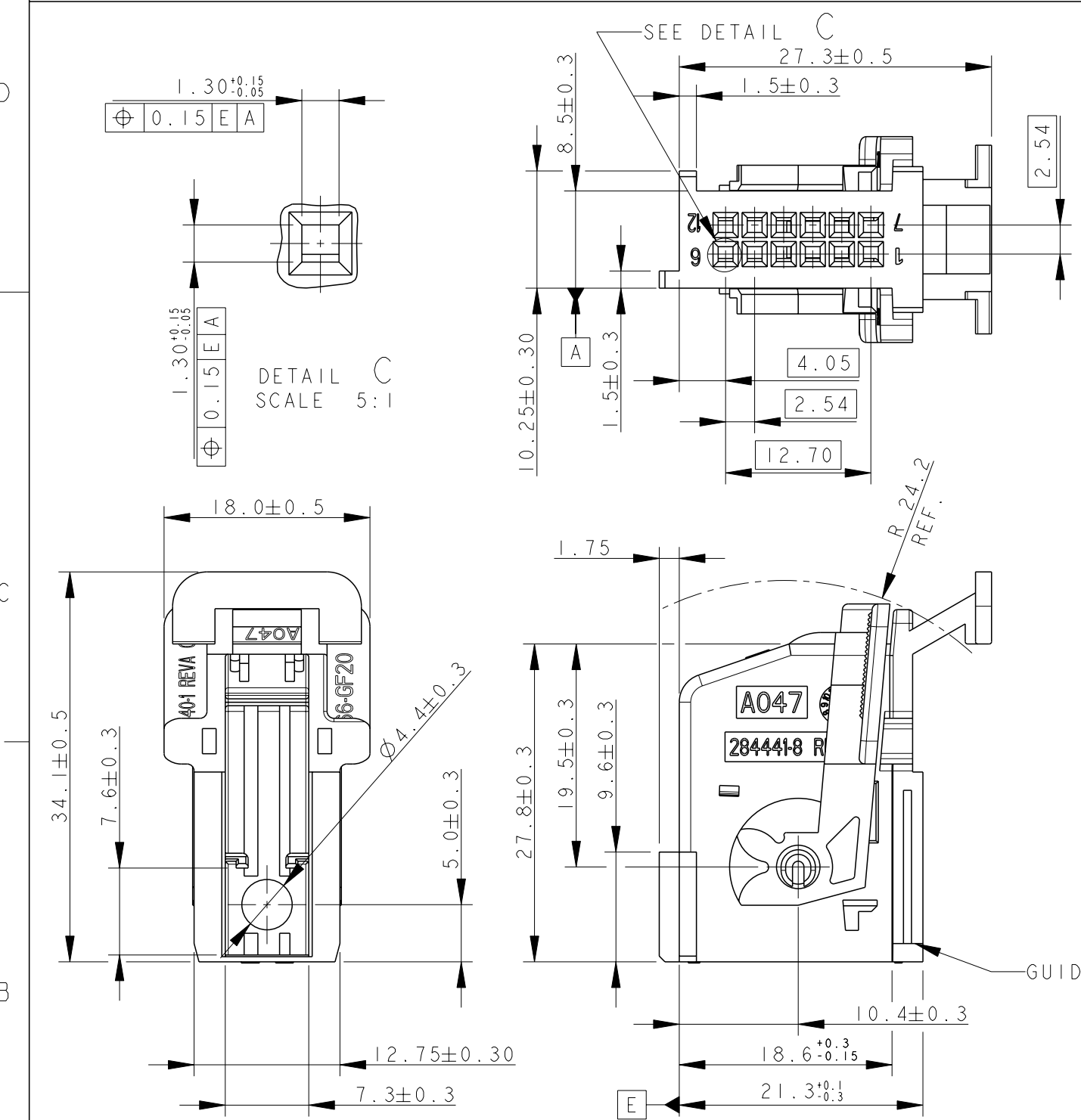
| DIMENSIONS: | TOLERANCES UNLESS OTHERWISE SPECIFIED: |
|-------------|--|
| mm | |
| | 0 PLC ±0.3 |
| | 1 PLC ±0.3 |
| | 2 PLC ± |
| | 3 PLC ± |
| | 4 PLC ± |
| | ANGLES ±2 |
| MATERIAL | FINISH |
| NOTE 1) | - |
| - | - |

| | | |
|------------------|------------|-----------|
| DWN | M. PALMA | 17SEPT'99 |
| CHK | R. MARTINI | 17SEPT'99 |
| APVD | A. GENTA | 17SEPT'99 |
| PRODUCT SPEC | 108-20222 | |
| APPLICATION SPEC | 411-15565 | |
| WEIGHT | 3.3 g | |
| Customer Drawing | | |

| | | | |
|---|-----------|-----------------|---------------|
| | | TE Connectivity | |
| NAME COVER + LEVER FOR 12 POSITION MICRO QUADLOK SYSTEM PLUG HOUSING | | | |
| SIZE | CAGE CODE | DRAWING NO | RESTRICTED TO |
| A3 | - | ©-284443 | - |
| SCALE | | SHEET | REV |
| 2:1 | | 2 OF 3 | A5 |

THIS DRAWING IS UNPUBLISHED. RELEASED FOR PUBLICATION 20
 © COPYRIGHT 20 BY - ALL RIGHTS RESERVED.

| P | LTR | DESCRIPTION | DATE | DWN | APVD |
|---|-----|-------------|------|-----|------|
| - | - | SEE SHEET 1 | - | - | - |



284443-8 BLU, AS SHOWN
 (NOT YET RELEASED FOR PRODUCTION)

- 1) MATERIAL: PA 6.6 G.F. FILLED
- 2) COVER PLUS LEVER SUITABLE FOR PLUG HOUSING P/N 284442-1
- 3) SHELL PROVIDED WITH CABLE TIE SEAT AND GUIDING RIB WIDTH INCREASED
- 4) FOR COUNTERPART DETAILS SEE 208-15544

| | | | | |
|--------------------------|--------------------------|-------------|--------------|----------|
| BROWN | BLUE | SEE NOTE 3) | A | 284443-9 |
| BLUE | BLUE | SEE NOTE 3) | A | 284443-8 |
| BLACK | BLUE | SEE NOTE 3) | A | 284443-7 |
| ITEM (2) COVER COLOUR | ITEM (1) LEVER COLOUR | NOTES | ASSY REV. | ASSY P/N |

| | | | | |
|---|--|--------------------------------|---|--------------------|
| THIS DRAWING IS A CONTROLLED DOCUMENT. | | DWN M. PALMA 17SEPT'99 | TE Connectivity | |
| DIMENSIONS: mm | | CHK R. MARTINI 17SEPT'99 | | |
| TOLERANCES UNLESS OTHERWISE SPECIFIED: | | APVD A. GENTA 17SEPT'99 | NAME COVER + LEVER FOR 12 POSITION MICRO QUADLOK SYSTEM PLUG HOUSING | |
| 0 PLC ±0.3 1 PLC ±0.3 2 PLC ±. 3 PLC ±. 4 PLC ±. ANGLES ±2 FINISH - | | PRODUCT SPEC 108-20222 | SIZE A3 | CAGE CODE - |
| MATERIAL NOTE 1) | | APPLICATION SPEC 411-15565 | DRAWING NO C-284443 | RESTRICTED TO - |
| - | | WEIGHT 3.3 g | SCALE 2:1 | SHEET 3 OF 3 |
| | | Customer Drawing | REV A5 | |