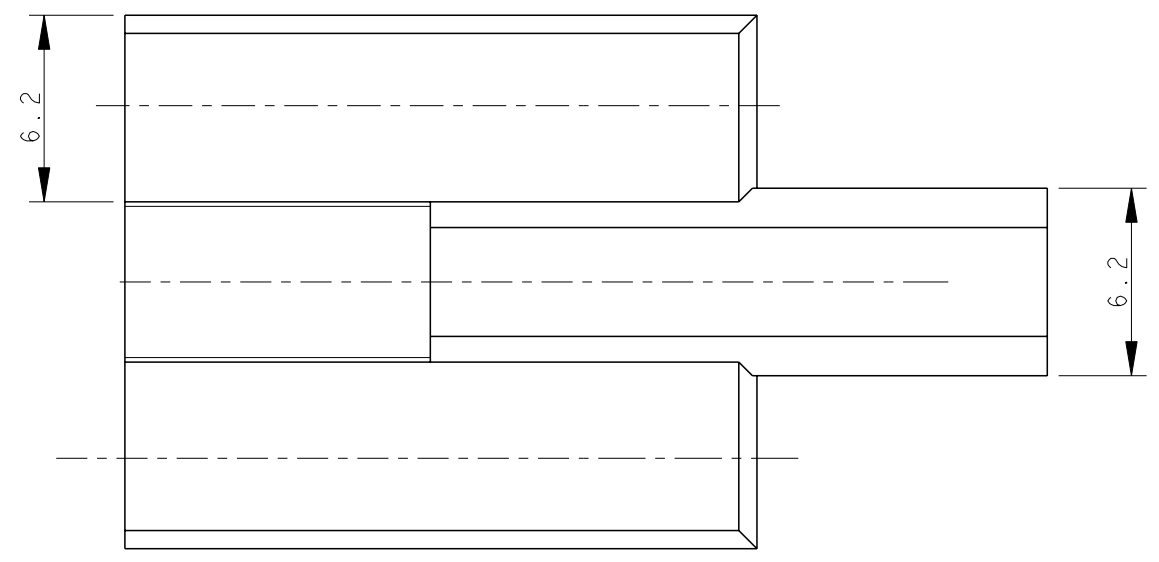
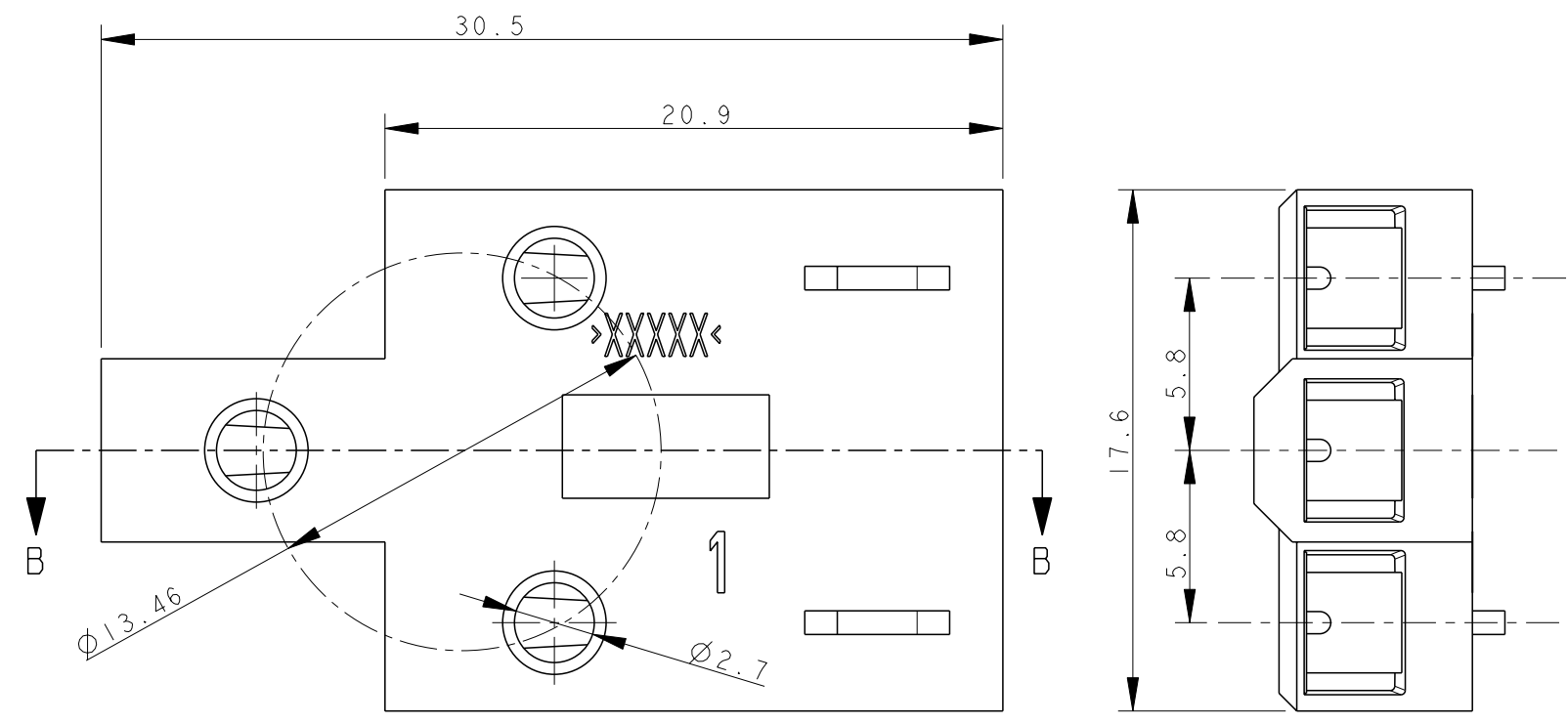


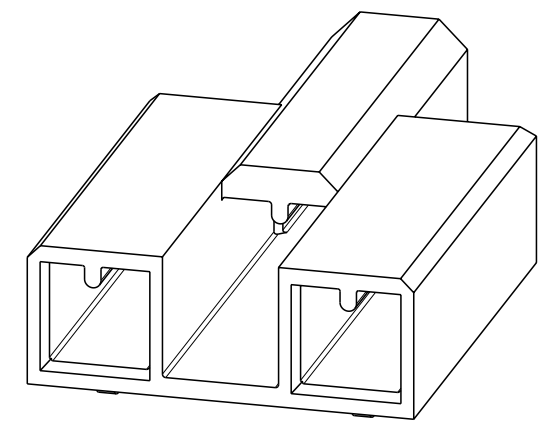
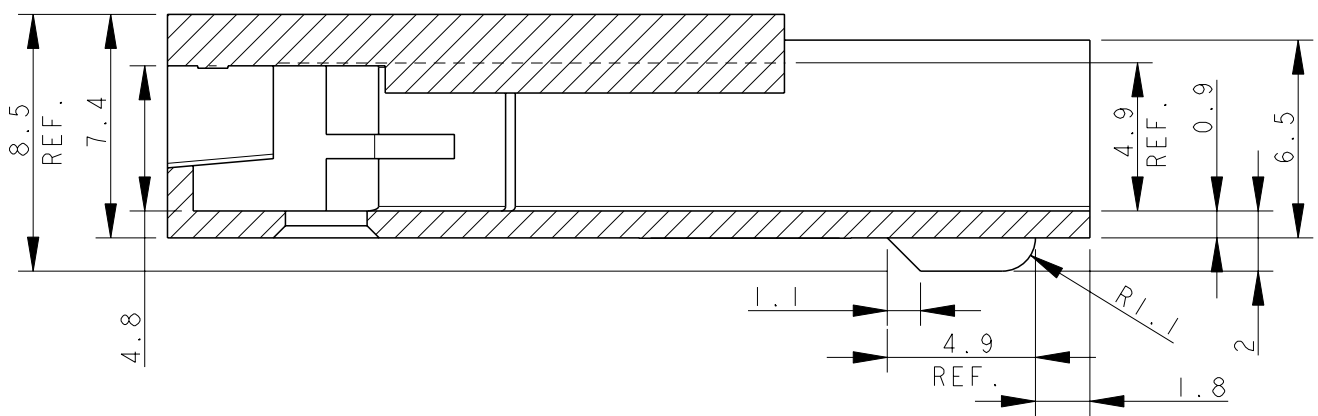
THIS DRAWING IS UNPUBLISHED. RELEASED FOR PUBLICATION
 © COPYRIGHT 19 ALL RIGHTS RESERVED.

LOC	DIST	REVISIONS					
		P	LTR	DESCRIPTION	DATE	DWN	APVD
1	-	C4		REVISED AS PER ECR-14-008454	06JUN2014	MKD	RRP
		C5		ECR-23-192331	21NOV2023	PC	TD
		C6		REVISED PER ECR-24-216072	31JUL2024	PC	TD
		C7		REVISED PER ECR-24-218995	02SEP2024	PC	TD

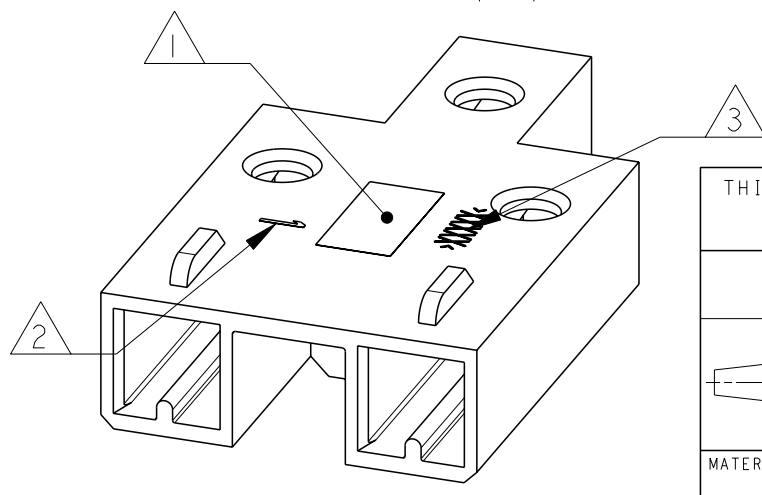
printed on 2 Sep 2024 15:44 (India Standard Time) from TE340342



SECTION B-B
(SEZIONE B-B)



SCALE 3:1
(SCALA 3:1)



SCALE 3:1
(SCALA 3:1)

- 1 LOCATION FOR TE LOGO
- 2 MOULD CAVITY ID. CODE
- 3 MATERIAL ID. CODE
- 4 HOUSING AS SHOWN IS SUITABLE FOR CONTACT P/N 284633-1
- 5 HOUSING AS SHOWN IS SUITABLE FOR CONTACT P/N 2178453-1
- 6 MATERIAL PA6 15%GF, GWT(Glow Wire Test) 750° C WITHOUT FLAME ACCORDING TO IEC-60695-2-11.
- 7 PRELIMINARY PART- NOT YET RELEASED FOR PRODUCTION

COLOUR (COLORE)	MATERIAL (MATERIALE)	PART NO
YELLOW	PBT GLASSFIBRE FILLED	284406-4
NATURAL	PBT GLASSFIBRE FILLED	284406-3 5
NATURAL	PBT GLASSFIBRE FILLED	284406-2 7
NATURAL	PA6 GF15% 6	9-284406-1 7
NATURAL	PBT 30% CARICATO VETRO (PBT GLASSFIBRE FILLED)	284406-1 4

THIS DRAWING IS A CONTROLLED DOCUMENT.

DIMENSIONS:	TOLERANCES UNLESS OTHERWISE SPECIFIED:
mm	
	0 PLC ± 0.5
	1 PLC ± 0.3
	2 PLC ± 0.15
	3 PLC ± -
	4 PLC ± -
	ANGLES ± - ± 2'
MATERIAL See table (vedi tabella)	FINISH -

DWN	C. CORDOLA	16SEPT.99
CHK	C. CORDOLA	16SEPT.99
APVD	G. TURCO	16SEPT.99
PRODUCT SPEC	108-20033	
APPLICATION SPEC	-	
WEIGHT	-	
CUSTOMER DRAWING		

TE TE Connectivity

NAME: CLUSTER BLOCK REVERSE HOUSING .090 DIA

SIZE	CAGE CODE	DRAWING NO	RESTRICTED TO
A3		C-284406	-

SCALE 4:1 SHEET 1 OF 1 REV C7