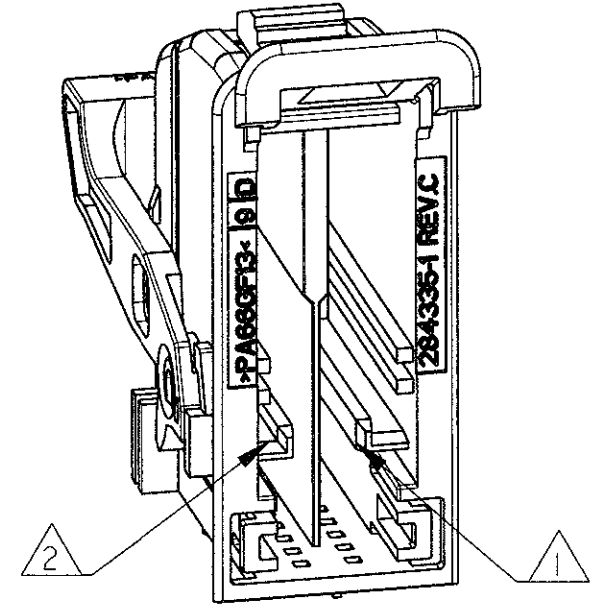
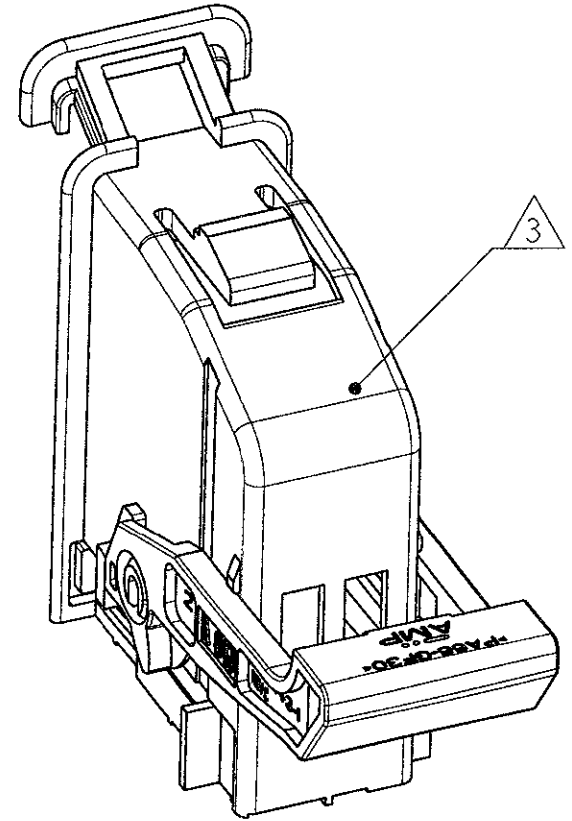
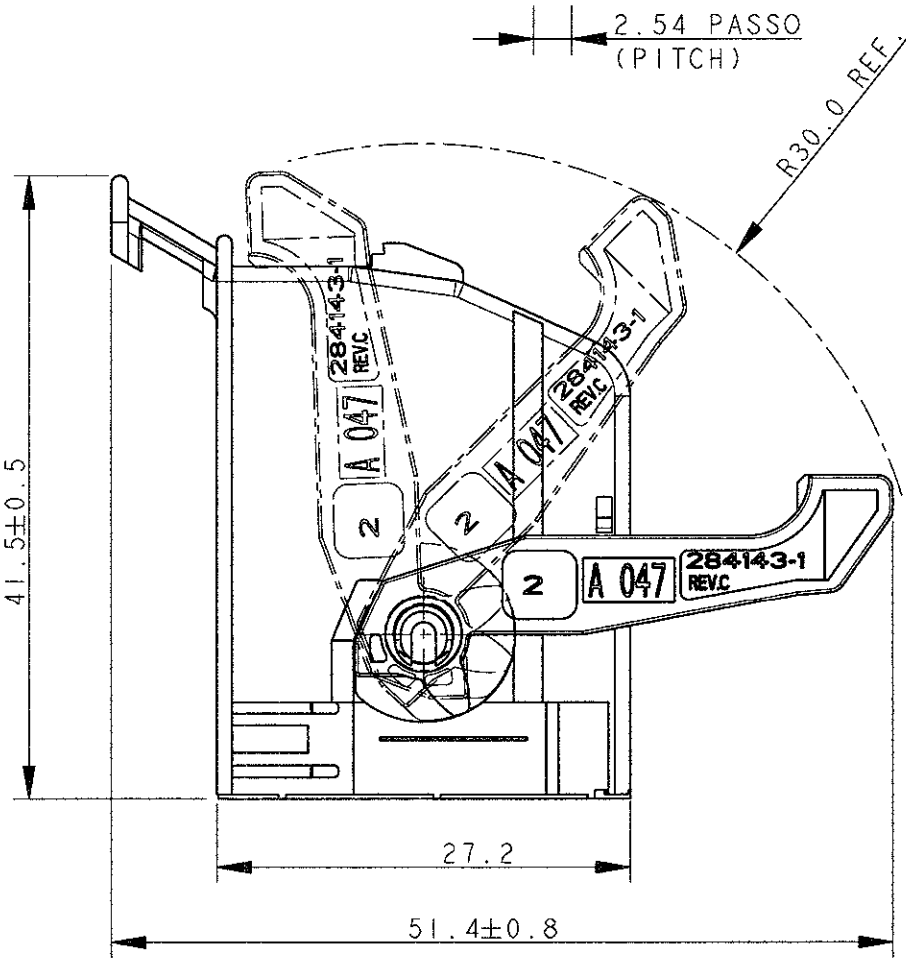
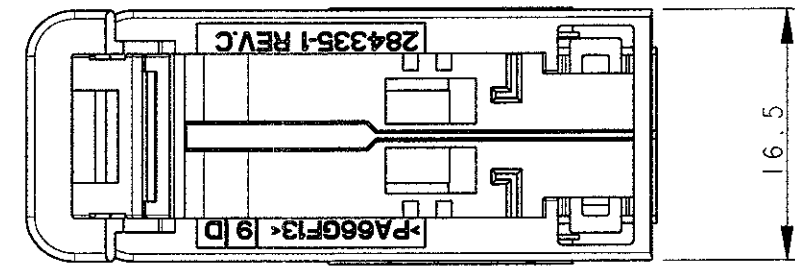
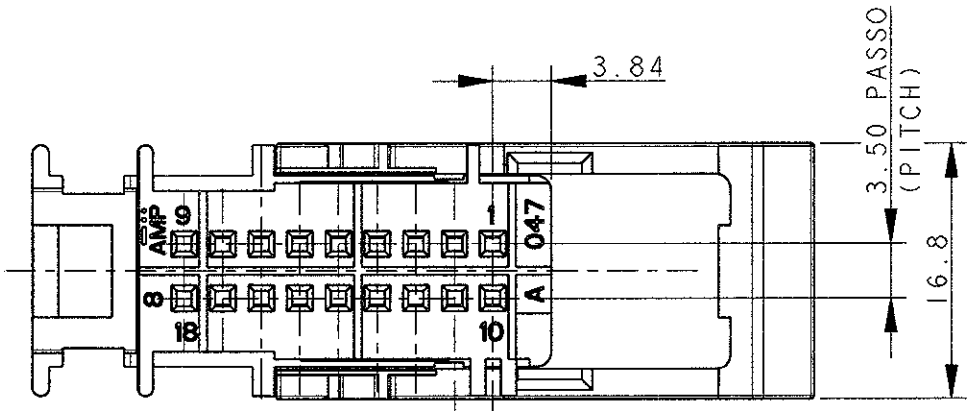


THIS DRAWING IS UNPUBLISHED. RELEASED FOR PUBLICATION
 QUESTO DISEGNO NON DEVE ESSERE DIVULGATO O RIPRODOTTO E' CONSENTITA LA DIVULGAZIONE
 © COPYRIGHT 19 BY AMP INCORPORATED. ALL RIGHTS RESERVED. TUTTI I DIRITTI SONO RISERVATI

LOC	DIST	REVISIONS					
		P	LTR REV	DESCRIPTION DESCRIZIONE	DATE DATA	DWN DIS.	APVD APP.
			A	(FIRST ISSUE) PRIMA EMISSIONE ET00-0364-99	17NOV99	G.S.	A.G.
			A1	UPDATED DRAWING (ET00-0126-00)	09MAY00	M.S.	O.C.
			B	RELEASED FOR PRODUCTION ET00-0164-00	--- JUN-00	M.S.	O.C.



NOTE:
 (NOTES:)
 MATERIALI: (MATERIALS)
 1) SEDE ADATTE PER MODULO CRIMP 2.54 mm PITCH
 P/N 284134 -1 E -2 VEDI TAB. FOGLIO 2/2
 (SLOT SUITABLE FOR HOUSING CRIMP 2.54 mm PITCH
 P/N 2841314-1 END -2 SEE TAB SHEET 2/2)
 2) SEDE ADATTA PER MODULO CRIMP 2.54 mm PITCH
 P/N 284134-3 E -4 VEDI TAB. FOGLIO 2/2
 (SLOT SUITABLE FOR HOUSING CRIMP 2.54 mm PITCH
 P/N 2841314-3 END -4 SEE TAB. SHEET 2/2)
 MATERIALI: (MATERIALS)
 3) CORAZZA: PA6.6 CARICATO VETRO VEDI TAB. FOGLIO 2/2
 PER COLORE.
 (SHELL: PA 6.6 GLASS FILLED SEE TAB. SHEET 2/2 FOR COLOUR)
 4) LEVA: PA 6.6 CARICATO VETRO COLORE ROSSO
 (LEVER: PA 6.6 GLASS FILLED RED COLOUR)
 4) IL PRODOTTO VIENE FORNITO CON LEVA IN POSIZIONE CHIUSA.
 (THE FRAME IS SUPPLIED WITH LEVER IN CLOSED POSITION)

284360-1 COME MOSTRATO (AS SHOWN)

THIS DRAWING IS A CONTROLLED DOCUMENT FOR AMP INCORPORATED. IT IS SUBJECT TO CHANGE AND THE CONTROLLING ENGINEERING ORGANIZATION SHOULD BE CONTACTED FOR THE LATEST REVISION. QUESTO DISEGNO È UN DOCUMENTO DI PROPRIETÀ E RESPONSABILITÀ DELL'AMP INCORPORATED. È SOGGETTO A VARIAZIONI. PER OTTENERE L'ULTIMA REVISIONE DEL DISEGNO CONTATTARE L'UFFICIO TECNICO RESPONSABILE.		DWN/DIS. G. STELLA 17NOV99 CHK/CONT. O. CANUTO 17NOV99 APVD/APP. A. GENTA 17NOV99	AMP Italia S.p.A. C.so F.lli Cervi 15 Collegno (TO)
DIMENSIONS: DIMENSIONI: mm 	TOLERANCES UNLESS OTHERWISE SPECIFIED: TOLLERANZE: SE NON DIVERSAMENTE SPECIFICATO 0 PLC/DEC ±0.3 1 PLC/DEC ±0.3 2 PLC/DEC ±0.3 3 PLC/DEC ± 4 PLC/DEC ± ANGLES/ANGOLI ±	PRODUCT SPEC SPEC DI PRODOTTO APPLICATION SPEC SPEC DI APPLICAZIONE	NAME NONE FRAME 18 POSITION CRIMP/CRIMP 2.54 mm PITCH
MATERIAL MATERIALE 3	FINISH FINITURA 3	WEIGHT PESO CUSTOMER DRAWING DISEGNO PER CLIENTE SOLO PER RIFERIMENTO	SIZE A3 CAGE CODE 00779 DRAWING NO. NUMERO C-284360 RESTRICTED TO SCALE SCALA 2:1 SHEET FOGLIO 1 OF DI 2 REV B

THIS DRAWING IS UNPUBLISHED.

RELEASED FOR PUBLICATION

© COPYRIGHT 19

BY AMP INCORPORATED. ALL RIGHTS RESERVED.

LOC

DIST

REVISIONS

P

LTR

DESCRIPTION

DATE

DWN

APVD

VEDI FOGLIO 1/2 (SEE SHEET 1/2)

P/N	RAPPRESENTAZIONE GRAFICA (GRAPHICAL REPRESENTATION)	COLORE (COLOUR)	CONNETTORE CRIMP (HOUSING CRIMP P/N	COLORE CONN. (HSG.COLOUR)	CONTROPARTE (COUNTERPART)
284360-1		NERO (BLACK)	284134-1	NERO (BLACK)	DIMA P/N 953466 (HEADER P/N 953466)
			284134-3	BLUE (BLUE)	
284360-2		GRIGIO (GRAY)	284134-2	GRIGIO (GRAY)	DIMA P/N 953466 (HEADER P/N 953466)
			284134-4	MARRONE (BROWN)	

THIS DRAWING IS A CONTROLLED DOCUMENT FOR AMP INCORPORATED. IT IS SUBJECT TO CHANGE AND THE CONTROLLING ENGINEERING ORGANIZATION SHOULD BE CONTACTED FOR THE LATEST REVISION.

DWN G. STELLA 19NOV99

CHK O. CANUTO 19NOV99

APVD A. GENTA 19NOV99

AMP

AMP Italia S.p.A.
C.so F.lli Cervi 15 Collegno (TO)

DIMENSIONS:
mm

TOLERANCES UNLESS OTHERWISE SPECIFIED:



0 PLC ±0.3
1 PLC ±0.1
2 PLC ±0.05
3 PLC ±
4 PLC ±
ANGLES ±

MATERIAL

FINISH

PRODUCT SPEC

APPLICATION SPEC

WEIGHT

NAME

FRAME 18 POSITION
CRIMP/CRIMP
2.54 mm PITCH

SIZE

CAGE CODE

DRAWING NO

RESTRICTED TO

A3

00779

C=C284360

CUSTOMER DRAWING

SCALE 2:1

SHEET 2 OF 2

REV B