

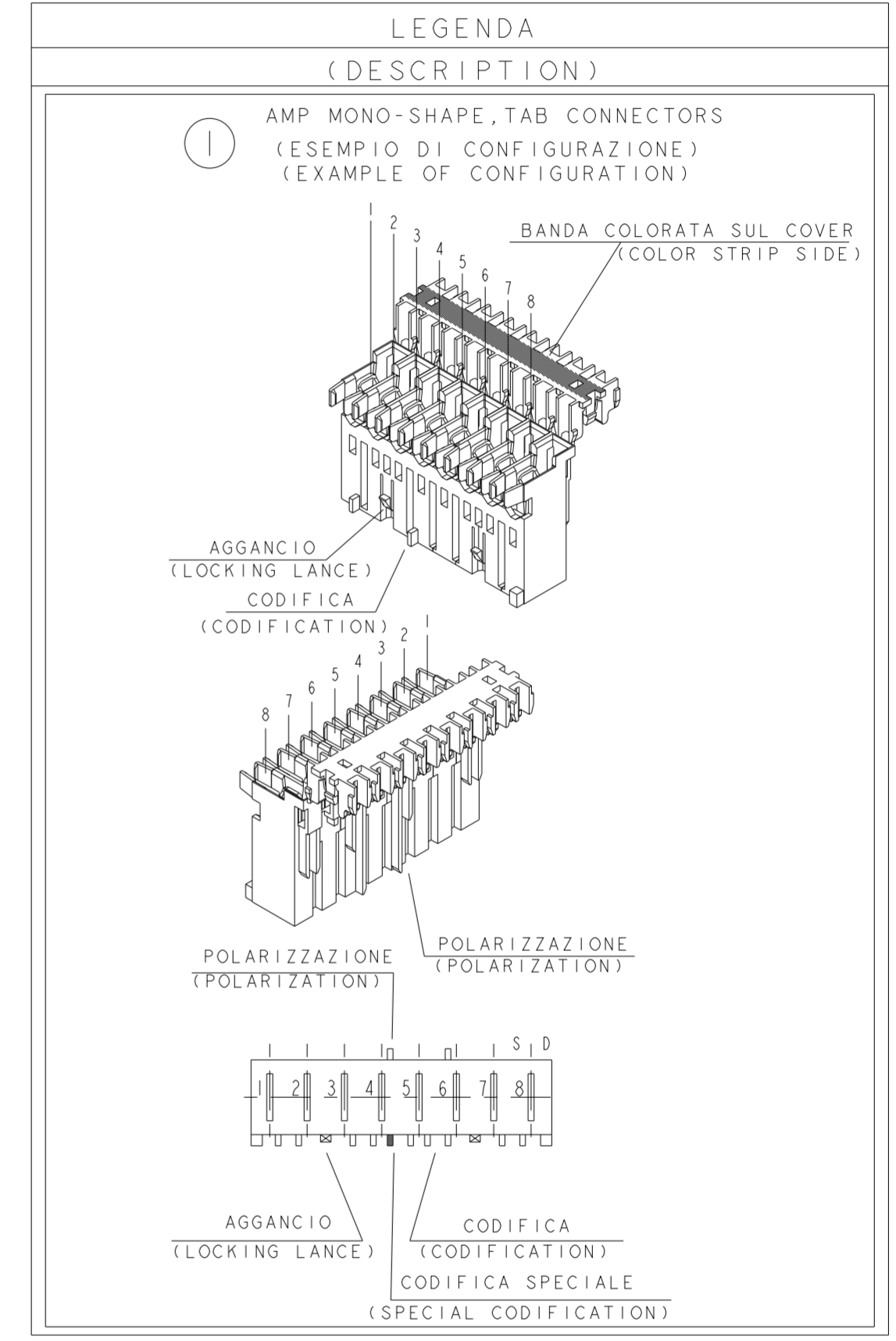
THIS DRAWING IS UNPUBLISHED. RELEASED FOR PUBLICATION 2014
 © COPYRIGHT 2014 BY - ALL RIGHTS RESERVED.

| REVISIONS | | | | |
|-----------|-----|-------------|------|------|
| P | LTR | DESCRIPTION | DATE | APVD |
| - | - | SEE SHEET 1 | - | - |
| | | | | |
| | | | | |

AMP PART NUMBERS
ASS'Y CONN

| NUMERO DI VIE | CONFIGURAZIONE (Vista connettore dall'alto) ① | VERSIONE PEZZI IN VASSOIO | REV. | VERSIONE PEZZI SCIOLTI | REV. | POSIZIONE POLARIZ. (LATO POSTERIORE) | POSIZIONE AGGANCI O (LATO ANTERIORE) | POSIZIONE CODIFICA PARTICOLARE (LATO ANTERIORE) | +0.2 -0.3 (mm) | NOTE MARCHIATURA CON BANDA COLORATA | CODICI RAST 5 RICAVABILI |
|---------------|---|---------------------------|-----------|--------------------------------|-----------|--------------------------------------|--------------------------------------|---|----------------------|-------------------------------------|--------------------------|
| NO. OF POS. | CONFIGURATION (View from top side) ① | ON TRAY PACKAGING VERSION | PART REV. | LOOSE PIECES PACKAGING VERSION | PART REV. | POLARIZ. POSITION (BACK SIDE) | LOCKING POSITION (FRONT SIDE) | SPECIAL CODIFICATION POSITION (FRONT SIDE) | +0.2 -0.3 (mm) | NOTE STRIP COLOUR | RAST 5 OBTAINABLE CODE |
| 2 | | 1-284338-1 | C | | c | 2S Δ 5 | 1-2 | - | 9.9 | NERO BLACK | 02-C |
| 2 | | 1-284338-2 | C | | c | 1S 2D | 1-2 | - | 9.9 | - | 02-B 02-E 02-F |
| 2 | | 1-284338-3 | D | | d | 2D | 1-2 | - | 9.9 | ROSSO RED | 02-L |
| 2 | | 1-284338-4 | C | | - | 1D 2S Δ 3 | 1-2 | - | 9.9 | BLU BLUE | 02-A |
| 2 | | 1-284338-7 | C | | - | - | 1-2 | - | 9.9 | - | - |
| 3 | | 1-284339-1 | C | | c | 1D Δ 3 | 1-2 | - | 14.9 | ARANCIO ORANGE | 03-A 03-I |
| 3 | | 1-284339-2 | C | | c | 2D 3D | 2-3 | - | 14.9 | BLU BLUE | 03-B |
| 3 | | 1-284339-3 | C | | c | 1S 3D | 1-2 | - | 14.9 | VERDE GREEN | 03-F |
| 3 | | 1-284339-4 | C | | c | 2D 3D | 2-3 | - | 14.9 | ROSSO RED | 03-B |
| 3 | | 1-284339-5 | C | | c | 2D 3D | 2-3 | - | 14.9 | - | 03-B |
| 4 | | 0-293140-1 Δ 12 | A | | - | 3D Δ 5 | 2-3 | - | 19.9 | - | - |
| 5 | | 0-293141-1 Δ 12 | A | | - | 4D Δ 5 | 4-5 | - | 24.9 | - | - |
| 5 | | 0-293141-2 | A | | - | 1S 5D | - | 3D | 24.9 | NERO BLACK | - |
| 6 | | 0-293142-1 | A | | - | 3D 5D | - | 5S | 29.9 | NERO BLACK | - |
| 7 | | 0-293143-1 | A | | - | 4D 6D | - | 6S | 34.9 | VIOLA VIOLET | - |
| 7 | | 0-293143-2 Δ 6 | I | | - | - | 1-2 5-6 | - | 34.9 | - | - |
| 7 | | 293143-3 | D | | - | 1S 6D | - | 4D | 34.9 | - | - |
| 8 | | 1-284685-1 | C | 2-284685-1 | c | 2D-4D 6S-6D | - | 4S | 39.9 | - | - |
| 8 | | | D | | - | 1S | 1-2 | 4D | 39.9 | VIOLET | - |
| 10 | | 1-284686-1 | C | | c | 6D-8S | 4-5 8-9 | 6S | 49.9 | - | - |

VISTE SOLO PER RIFERIMENTO
VIEWS ONLY FOR REFERENCE



THIS DRAWING IS A CONTROLLED DOCUMENT.

| | | | | |
|------------------|------------------|-----------|---------------------|---|
| DWN | COLOMBO | 07MAY99 | TE Connectivity | |
| CHK | C. TARTARI | 07MAY99 | | |
| APVD | G. TURCO | 07MAY99 | | |
| PRODUCT SPEC | 108-20215 | | | |
| APPLICATION SPEC | 114-20016 | | NAME | AMP MONO-SHAPE L.I.F TAB CONNECTORS 2-10 POS |
| WEIGHT | CUSTOMER DRAWING | | SIZE | A2 |
| MATERIAL | SEE TABLE | SEE TABLE | CAGE CODE | A200779 |
| | | | DRAWING NO | C-284338 |
| | | | RESTRICTED TO | D23 |
| | | | SCALE | - |
| | | | SHEET | 2 OF 4 |

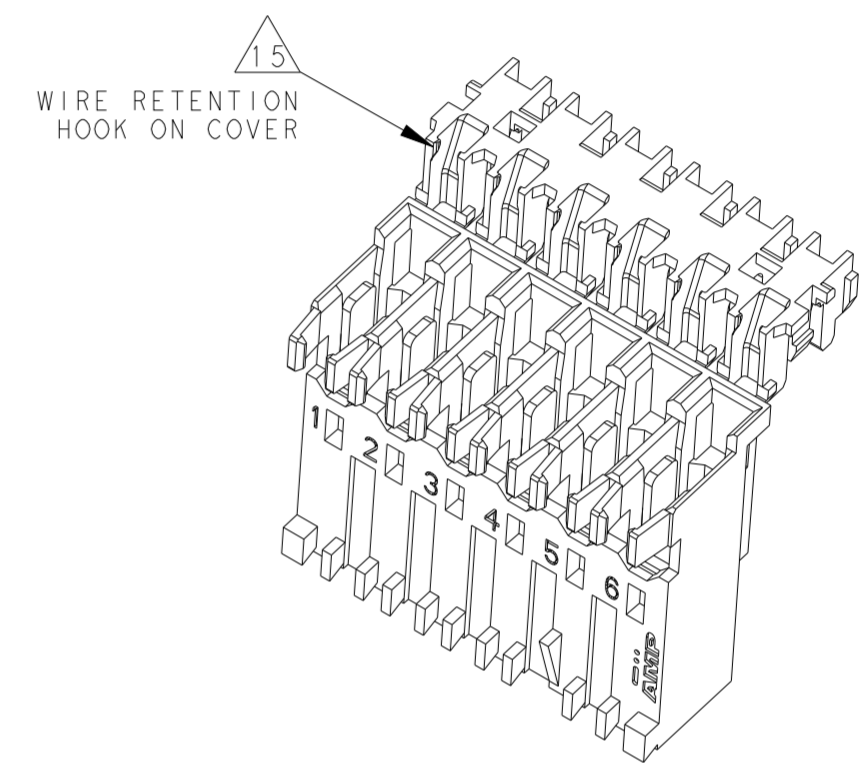
THIS DRAWING IS UNPUBLISHED. RELEASED FOR PUBLICATION 2014
 © COPYRIGHT 2014 BY - ALL RIGHTS RESERVED.

| REVISIONS | | | | |
|-----------|-----|-------------|------|------|
| P | LTR | DESCRIPTION | DATE | APVD |
| ~ | | SEE SHEET 1 | - | -- |
| | | | | |
| | | | | |

PA GF, UL-V0 GWEPT 750°C NO FLAME, NATURAL

ON TRAY VERSION

| No. OF POS | CONFIGURATION (SEE TYP. SECT. ONLY FOR REF.) | P/N ASS'Y 8 | PART REV. | POLARIZ. POSITION (BACK SIDE) | LOCKING POSITION (FRONT SIDE) | SPECIAL CODIFICAT. POSITION (FRONT SIDE) | L (mm) | NOTE MARCHIATURA CON BANDA COLORATA | CODICI RAST 5 RICAVABILI |
|------------|--|----------------------|-----------|-------------------------------|-------------------------------|--|--------|-------------------------------------|--------------------------|
| 13 | | 2293392-2 | I | - | - | - | 9.9 | - | - |
| 13 | | 2293392-3 | I | - | - | - | 14.9 | - | - |
| 13 | | 2293392-4 | I | - | - | - | 19.9 | - | - |
| 13 | | 2293392-5 | I | - | - | - | 24.9 | - | - |
| 13 | | 2293392-6 | I | - | - | - | 29.9 | - | - |
| 7 | | 4-2293392-7 13 16 | I | 1S 6D | - | 4D | 34.9 | - | - |
| 7 | | 2293392-7 | D | - | 1-2 5-6 | - | 34.9 | - | - |
| 7 | | 1-2293392-7 | D | - | 1-2 5-6 | 5S | 34.9 | - | - |
| 7 | | 2-2293392-7 | D | 1S 6D | - | 4D | 34.9 | - | - |
| 7 | | 3-2293392-7 | D | 4D 6D | - | 6S | 34.9 | VIOLET | - |
| 13 | | 2293392-8 | I | - | - | - | 39.9 | - | - |
| 13 | | 2293392-9 | I | - | - | - | 44.9 | - | - |
| 13 | | 1-2293392-0 | I | 6D 8S | 4-5 8-9 | 6S | 49.9 | - | - |


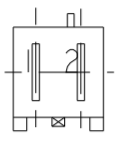

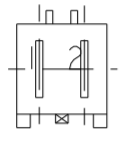

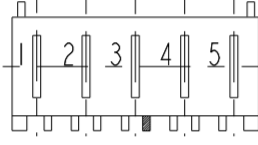
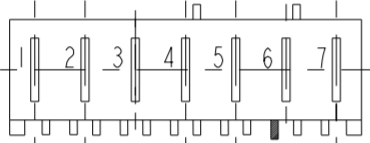



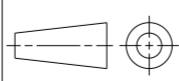
| | | | | | |
|---|--|------------------------|---------------------|--|--------------|
| THIS DRAWING IS A CONTROLLED DOCUMENT. | | DWN COLOMBO 07MAY99 | TE Connectivity | NAME AMP MONO-SHAPE L.I.F. TAB CONNECTORS 2-10 POS | |
| DIMENSIONS: mm | | CHK C. TARTARI 07MAY99 | | SIZE 108-20215 | |
| TOLERANCES UNLESS OTHERWISE SPECIFIED: | | APVD G. TURCO 07MAY99 | | APPLICATION SPEC 114-20016 | |
| 0 PLC ± 1 PLC ± 2 PLC ± 0.3 3 PLC ± 4 PLC ± ANGLES ±2° FINISH | | WEIGHT | | RESTRICTED TO | |
| MATERIAL SEE TABLE | | CUSTOMER DRAWING | | SCALE 2:1 | SHEET 3 OF 4 |
| | | | | REV D23 | |

THIS DRAWING IS UNPUBLISHED. RELEASED FOR PUBLICATION 2014
 © COPYRIGHT 2014 BY - ALL RIGHTS RESERVED.

| REVISIONS | | | | |
|-----------|-----|-------------|------|------|
| P | LTR | DESCRIPTION | DATE | APVD |
| - | - | SEE SHEET 1 | - | - |
| | | | | |
| | | | | |
| | | | | |

SPECIAL VERSION WITH NATURAL COLORED RESIN

| No. OF POS | CONFIGURATION (View from top side)  | ON TRAY PACKAGING VERSION | SIMILAR PN WITH SAME POLARIZATION | POLARIZ. POSITION (BACK SIDE) | LOCKING POSITION (FRONT SIDE) | SPECIAL CODIFICATION POSITION (FRONT SIDE) | +0.2 L-0.3 (mm) | NOTE STRIP COLOUR | RAST 5 OBTAINABLE CODE |
|------------|---|---------------------------|-----------------------------------|--|-------------------------------|--|-----------------|-------------------|------------------------|
| 2 |  | 5-2301868-3 | 1-284338-1 | 2S  | 1-2 | - | 9.9 | GREY | 02-C |
| 2 |  | 5-2301868-4 | 1-284338-4 | 1D 2S  | 1-2 | - | 9.9 | GREY | 02-A |
| 5 |  | 5-2301868-5 | 293141-2 | 1S 5D | - | 3D | 24.9 | GREY | - |
| 7 |  | 5-2301868-0 | 293143-1 | 4D 6D | - | 6S | 34.9 | GREY | - |

| | | | | |
|---|--|---------------------------|---|---|
| THIS DRAWING IS A CONTROLLED DOCUMENT. | | DWN COLOMBO | 07MAY99 |  TE Connectivity |
| DIMENSIONS: mm | | CHK C. TARTARI | 07MAY99 | |
| TOLERANCES UNLESS OTHERWISE SPECIFIED: | | APVD G. TURCO | 07MAY99 | |
|  | | PRODUCT SPEC 108-20215 | NAME AMP MONO-SHAPE L.I.F TAB CONNECTORS 2-10 POS | |
| MATERIAL | | FINISH | APPLICATION SPEC 114-20016 | SIZE A2 |
| | | | WEIGHT | CAGE CODE C-284338 |
| | | | CUSTOMER DRAWING | DRAWING NO C-284338 |
| | | | SCALE | RESTRICTED TO |
| | | | SHEET 4 OF 4 | REV D23 |