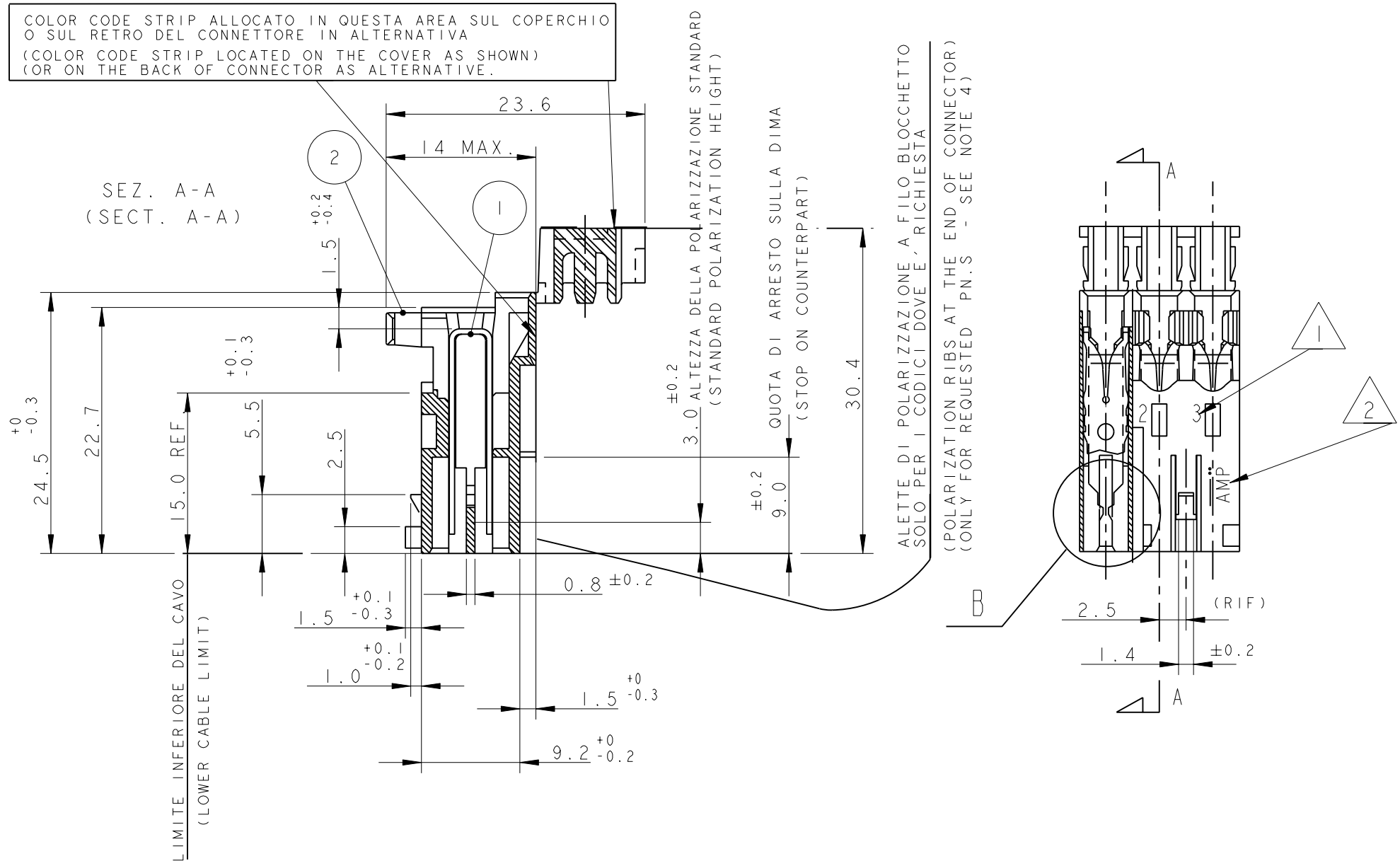
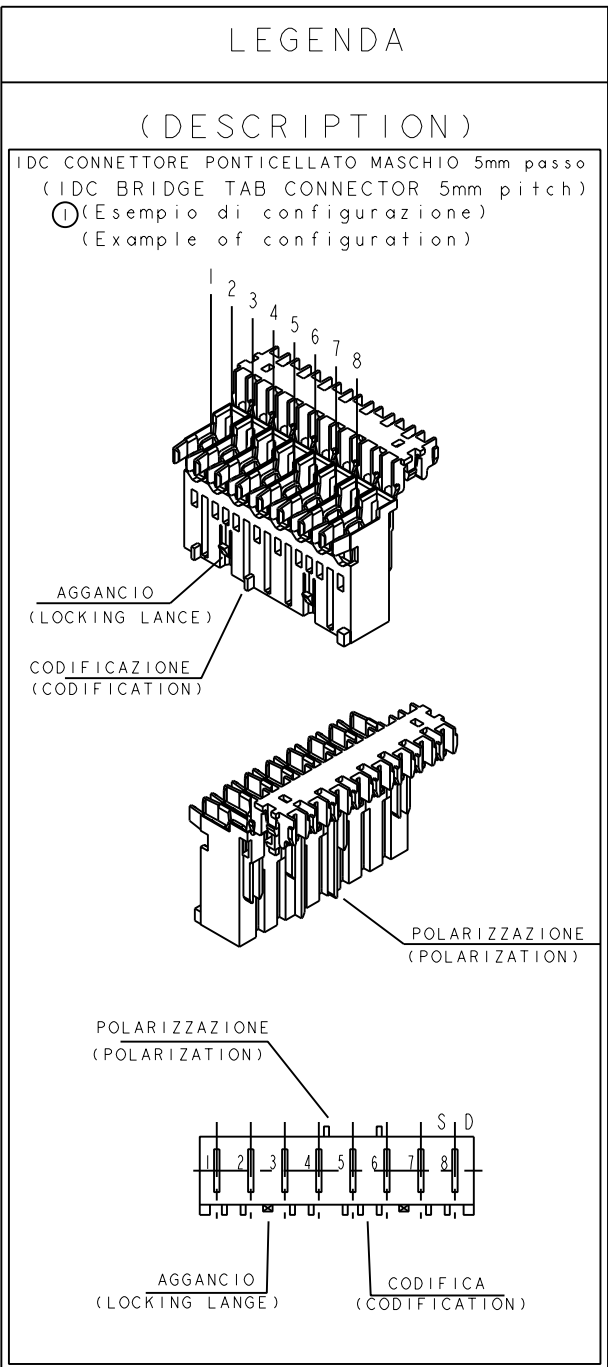


THIS DRAWING IS UNPUBLISHED. RELEASED FOR PUBLICATION
 © COPYRIGHT BY TYCO ELECTRONICS CORPORATION. ALL RIGHTS RESERVED.

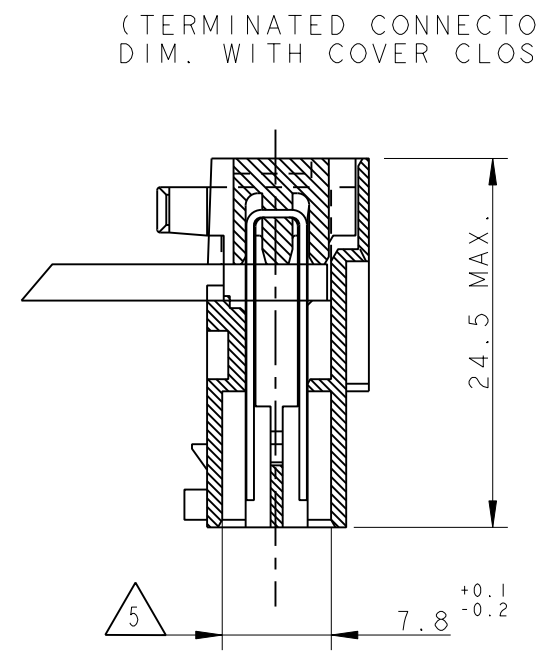
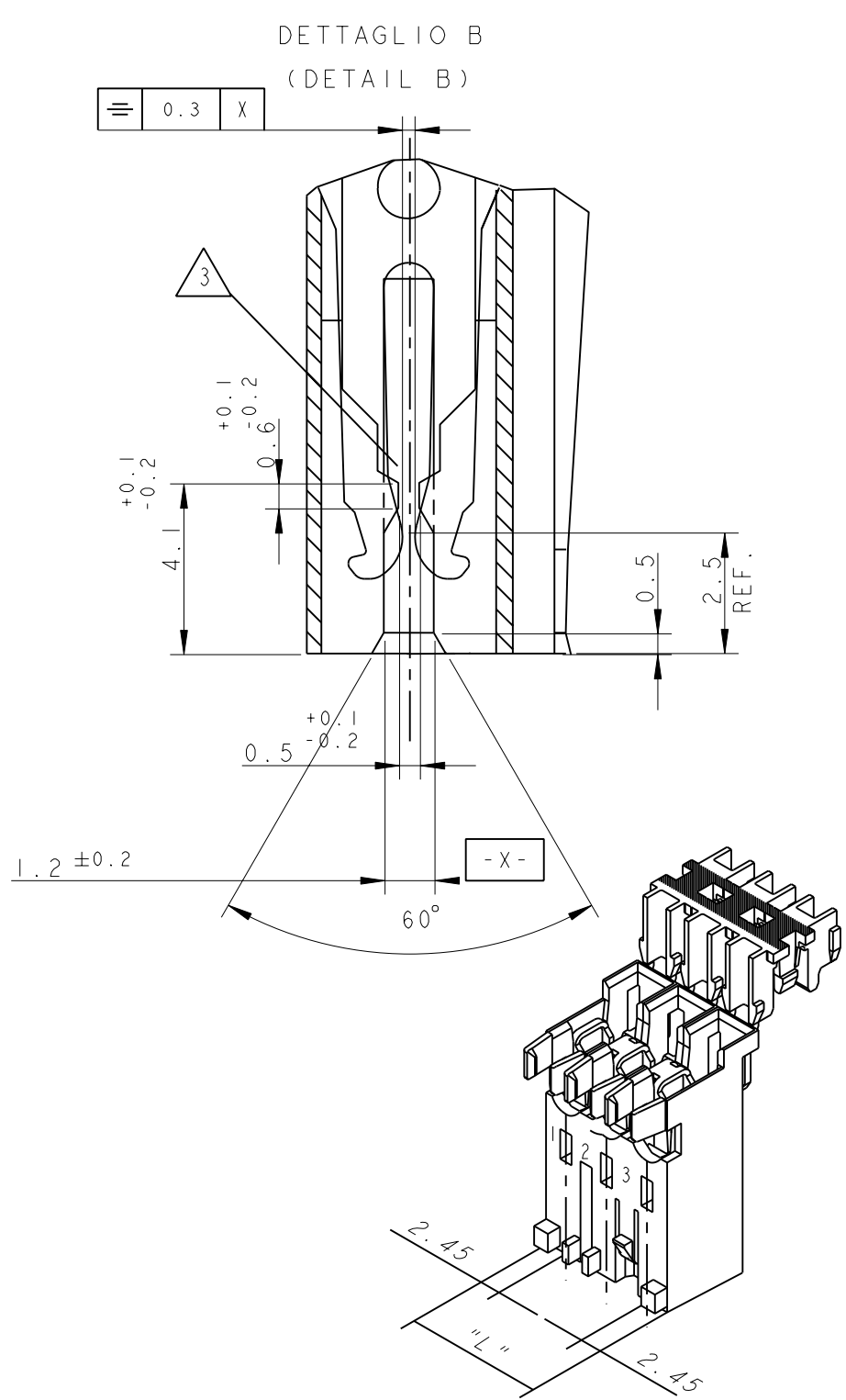
COLOR CODE STRIP ALLOCATO IN QUESTA AREA SUL COPERCHIO O SUL RETRO DEL CONNETTORE IN ALTERNATIVA (COLOR CODE STRIP LOCATED ON THE COVER AS SHOWN) OR ON THE BACK OF CONNECTOR AS ALTERNATIVE.



REVISIBILI		REVISIONS			
P	LTR	DESCRIPTION	DATE	DWN	APVD
A		FIRST ISSUE, ET00-0082-99	28-2-99	MC	CT
B		ADDED 284288-6, ET00-0127-99	FEB.1999	MC	CT
C		ADDED AND RELEASED PN/S ON TRAY VERSION ET00-0237-02	NOV. 2002	CC	GT
C2		ADDED & RELEASED NEW 3 POS. BRIDGE 1-284289-2	NOV. 2006	CC	GT
C3		REVISED PER ECO-09-026495	16Dec09	KK	AEG



NUMERO VIE	CONFIGURAZIONE (VISTA CONNETTORE DALL'ALTO)	NOTE	P/Ns ASS'Y			POSIZIONE POLARIZ. (LATO POSTERIORE)	POSIZIONE AGGANCIAMENTO (LATO ANTERIORE)	POSIZIONE PONTICELLO CORTO CIRCUITO	L +0.2 -0.3 (mm)	NOTA MARCHIATURA CON BANDA COLORATA	
			LOOSE PIECE VERSION	PART REV.	ON TRAY VERSION						PART REV.
No. OF POS	CONFIGURATION (VIEW FROM TOP SIDE)	NOTES	VERSIONE PEZZI SCIOLTI	REV.	VERSIONE PEZZI IN VASSOIO	REV.	POLARIZ. POSITION (BACK SIDE)	LOCKING POSITION (FRONT SIDE)	SHORT-CIRCUIT POSITION	L +0.2 -0.3 (mm)	NOTE STRIP COLOUR
2			284288-1	B	1-284288-1	B	2D	1-2	1 2	9.9	-
2			284288-2	B	-	-	2D	1-2	1 2	9.9	ARANCIO
2			284288-3	B	1-284288-3	B	2D	1-2	1 2	9.9	ORANGE
2			284288-4	B	-	-	2D	1-2	1 2	9.9	BLU
2			284288-5	B	-	-	2D	1-2	1 2	9.9	BLUE
2			284288-6	B	1-284288-6	B	2D	1-2	1 2	9.9	VERDE
2			284288-7	B	-	-	2S	1-2	1 2	9.9	GREEN
3			284289-1	B	-	-	1D	1-2	1 2 3	14.9	NERO
3			284289-2	A	1-284289-2	A	-	1-2	2 3	14.9	BLACK
6			284290-1	B	-	-	2S 5D	2-3	1 2 3 4 5 6	29.9	VERDE
6			284290-2	B	-	-	2S 5D	2-3	1 2 3 4 5 6	29.9	GREEN
6			-	-	1-284744-1	C	6D	4-5	1 2 3 4 5 6	29.9	NERO
											BLACK



ITEM	DENOMINAZIONE (DESCRIPTION)	FINITURA / COLORE (FINISH / COLOUR)	MATERIALE (MATERIAL)
2	BLOCCETTO (HOUSING)	NATURALE (NATURAL)	PA 6.6 CARICATO VETRO (POLIMIDE 6.6 GLASSFIBER FILLED)
1	CONTATTO (CONTACT)	STAGNATO (TIN-PLATED)	OTTONE (BRASS)

THIS DRAWING IS A CONTROLLED DOCUMENT FOR TYCO ELECTRONICS CORPORATION IT IS SUBJECT TO CHANGE AND THE CONTROLLING ENGINEERING ORGANIZATION SHOULD BE CONTACTED FOR THE LATEST REVISION.

DIMENSIONS: mm

TOLERANCES UNLESS OTHERWISE SPECIFIED:

0 PLC	± 0.5
1 PLC	± 0.3
2 PLC	± 0.1
3 PLC	± 0.1
4 PLC	± 0.1
ANGLES	±
FINISH	SEE NOTE

MATERIAL: 4 SEE NOTE

FINITURA / COLORE: SEE NOTE

ITEM: 2 BLOCCETTO (HOUSING)

FINITURA / COLORE: NATURALE (NATURAL)

MATERIALE (MATERIAL): PA 6.6 CARICATO VETRO (POLIMIDE 6.6 GLASSFIBER FILLED)

ITEM: 1 CONTATTO (CONTACT)

FINITURA / COLORE: STAGNATO (TIN-PLATED)

MATERIALE (MATERIAL): OTTONE (BRASS)

DWN: C. CORDOLA 12JUN.06

CHK: G. TURCO 12JUN.06

APVD: G. TURCO 12JUN.06

PRODUCT SPEC: 108-20065

APPLICATION SPEC: 114-20016

NAME: AMP ITALIA S.r.l. Corso F.lli Cervi, 15 COLLEGO (TORINO)

MONO-SHAPE Mark I TAB-BRIDGE CONNECTORS

SIZE: A2

CAGE CODE: 284288

DRAWING NO: 284288

RESTRICTED TO: -

CUSTOMER DRAWING

SCALE: 2:1

SHEET: 1 OF 2

REV: C3

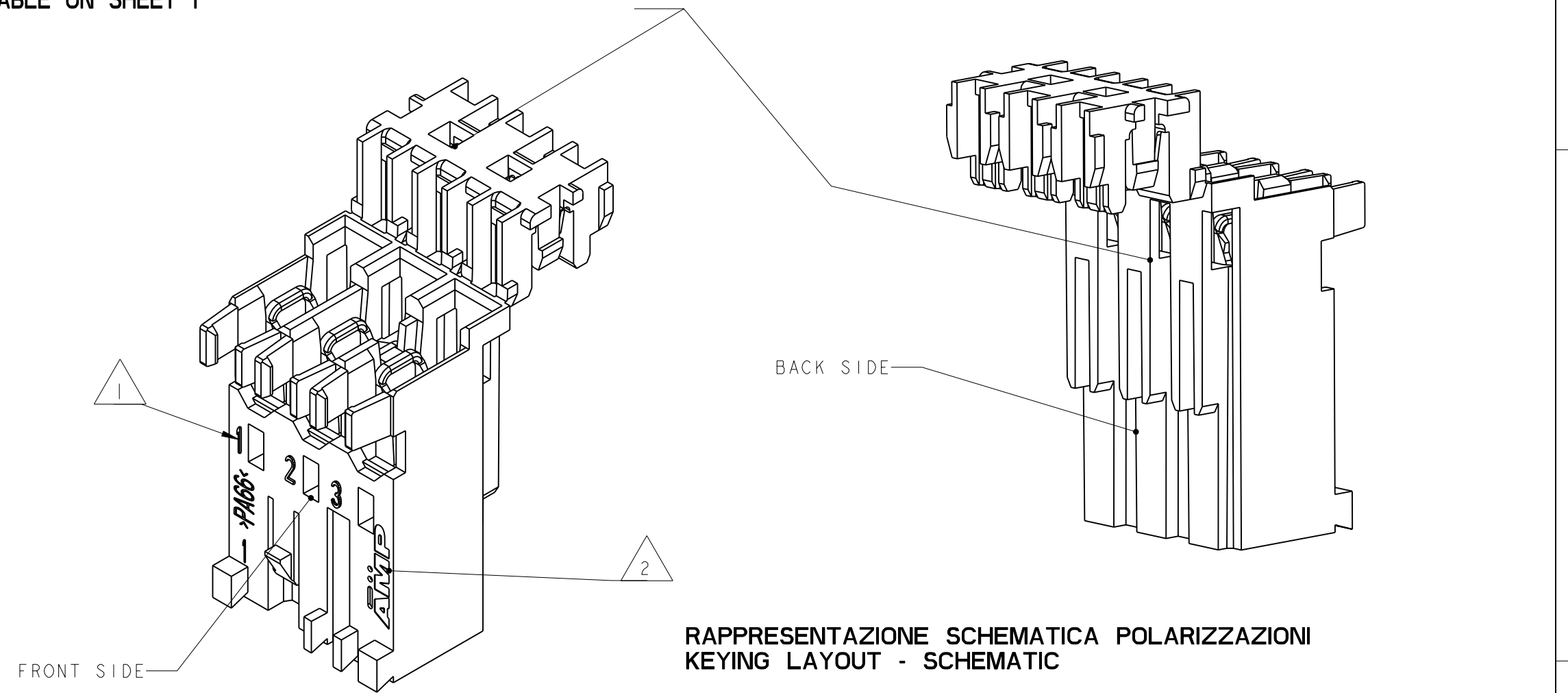
THIS DRAWING IS UNPUBLISHED. RELEASED FOR PUBLICATION
 © COPYRIGHT BY TYCO ELECTRONICS CORPORATION. ALL RIGHTS RESERVED.

LOC		DIST		REVISIONS			
P	LTR	DESCRIPTION	DATE	DWN	APVD		
		SEE SHEET 1					

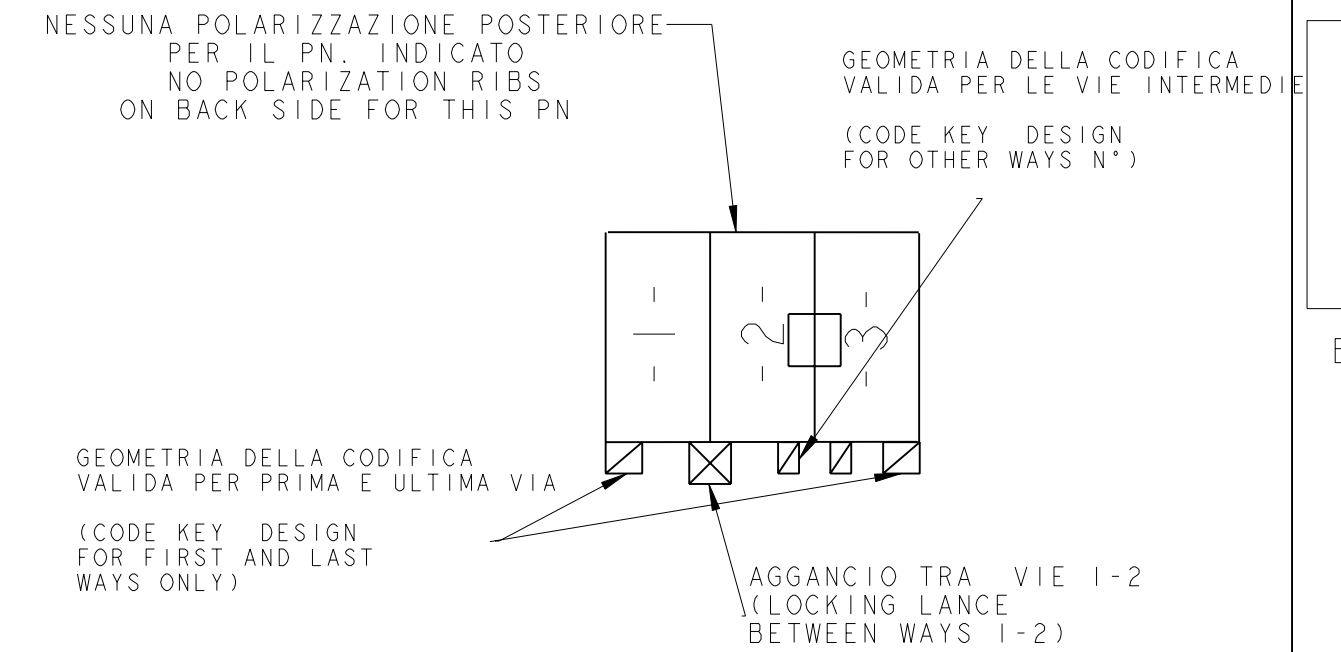
IL P/N 1-284289-2 INDICATO E' PRELIMINARE
 VERSIONE TAB- BRIDGE CON VIE 2-3 IN CORTO CIRCUITO
 PER DETTAGLI VEDERE ANCHE TABELLA SU FOGLIO 1

P/N 1-284289-2 AS SHOWN IS PRELIMINARY
 TAB CONNECTORS FOR BRIDGE APPLICATIONS,
 CONTACTS WAY 2-3 IN SHORT CIRCUIT
 FOR DETAILS SEE ALSO TABLE ON SHEET 1

TAMPOGRAFIA CON COLORE NERO, DOVE INDICATO
 COPERCHIO O RETRO CONNETTORE COME ALTERNATIVA
 (TAMPOGRAPHIC BLACK COLOUR ON AREAS
 AS SHOWN (ALTERNATIVE POSITIONS ADMITTED))

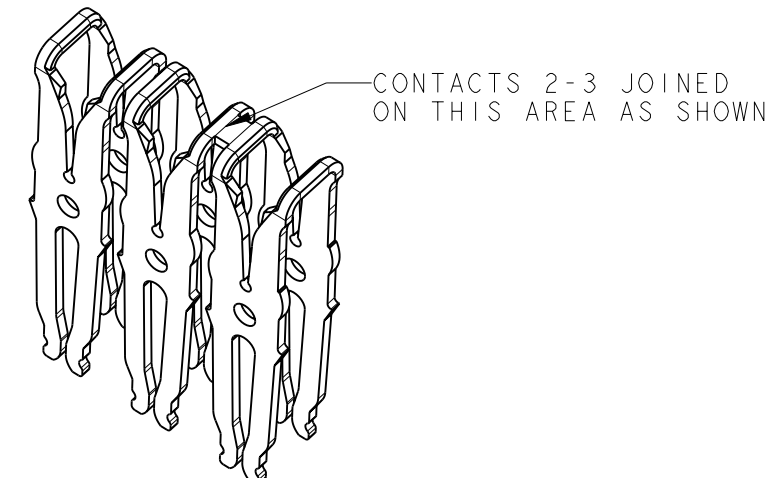


**RAPPRESENTAZIONE SCHEMATICA POLARIZZAZIONI
 KEYING LAYOUT - SCHEMATIC**



NOTES:

- 1 NUMERI DI IDENTIFICAZIONE CAVITA'. (CIRCUIT IDENTIFICATION)
- 2 MARCHIO DI FABBRICA (AMP LOGO FREE POSITION)
- 3 L'AGGANCIO PER LINGUETTA E' POSIZIONATO SOLO NELLA CAVITA' N° 1 ED E' RICHIESTA SOLO SUI CONNETTORI A 2 E 3 POSIZIONI (RETENTION TOOTH IS REQUESTED FOR THE 2 AND 3 POS. ONLY; IT IS LOCATED ON THE CAVITY N.1 ONLY)
- 4 PER QUESTI P-N LA POLARIZZAZIONE POSTERIORE DEVE INTENDERSI COMPLETA, A FINE BLOCCHETTO. (FOR THE INDICATE P.N'S THE POLARIZATION MUST BE AT THE END OF CONNECTOR)
- 5 QUESTA DIMENSIONE DIVENTA 6.5 PER LA CAVITA' N°.1 SOLO SUI CONNETTORI A 2,3,4,VIE. (THIS DIM. BECOMES 6.5. FOR THE CAVITY N°.1 ON THE 2,3,4, POS. ONLY.)
- 6 STATO DI FORNITURA: CONFEZIONAMENTO "IN PEZZI SCIOLTI" (PACKAGING: "LOOSE PIECE PLUS CARTON BOX")
- 7 STATO DI FORNITURA: CONFEZIONAMENTO IN "VASSOIO + SCATOLA" PER AMP SPEC. 107-20065 (PACKAGING: "ON TRAY PLUS CARTON BOX" PER AMP SPEC. 107-20065)
- 8 P/N NON RILASCIATO PER LA PRODUZIONE (P/N NOT YET RELEASED FOR PRODUCTION)
- 9 OBSOLETE PARTS: OBSOLETE CIS STREAMLINING PER D.RENAUD/D.SINISI



THIS DRAWING IS A CONTROLLED DOCUMENT FOR TYCO ELECTRONICS CORPORATION IT IS SUBJECT TO CHANGE AND THE CONTROLLING ENGINEERING ORGANIZATION SHOULD BE CONTACTED FOR THE LATEST REVISION.		DWN C. CORDOLA 12JUN.06	Tyco Electronics AMP ITALIA S.r.l. Corso F.lli Cervi, 15 COLLEGGNO (TORINO)	
DIMENSIONS: mm		CHK G. TURCO 12JUN.06	NAME MONO-SHAPE Mark I TAB-BRIDGE CONNECTORS	
TOLERANCES UNLESS OTHERWISE SPECIFIED:		APVD G. TURCO 12JUN.06	PRODUCT SPEC 108-20065	
0 PLC ±0.5		APPLICATION SPEC 114-20016		
1 PLC ±0.3		WEIGHT -		
2 PLC ±0.1		SIZE A2		
3 PLC ±		CAGE CODE G-284288		
4 PLC ±		DRAWING NO C-284288		
ANGLES ±		RESTRICTED TO -		
FINISH		SCALE 3:1 SHEET 2 OF 2 REV C3		
4 SEE NOTE		CUSTOMER DRAWING		
SEE NOTE				