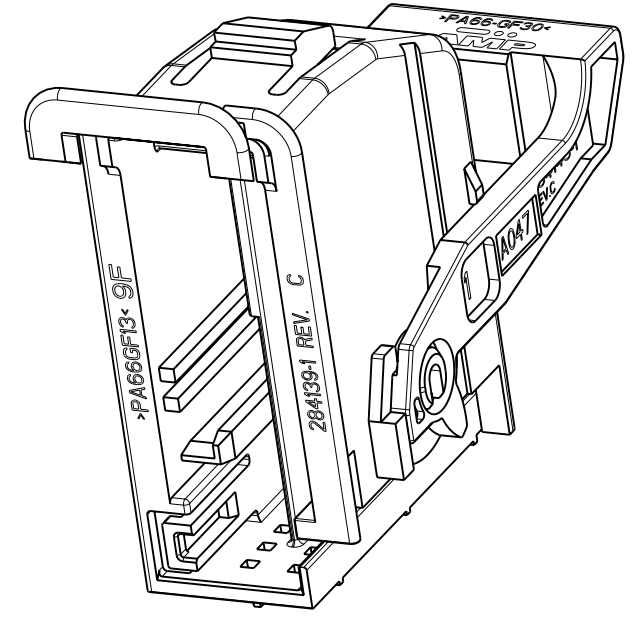
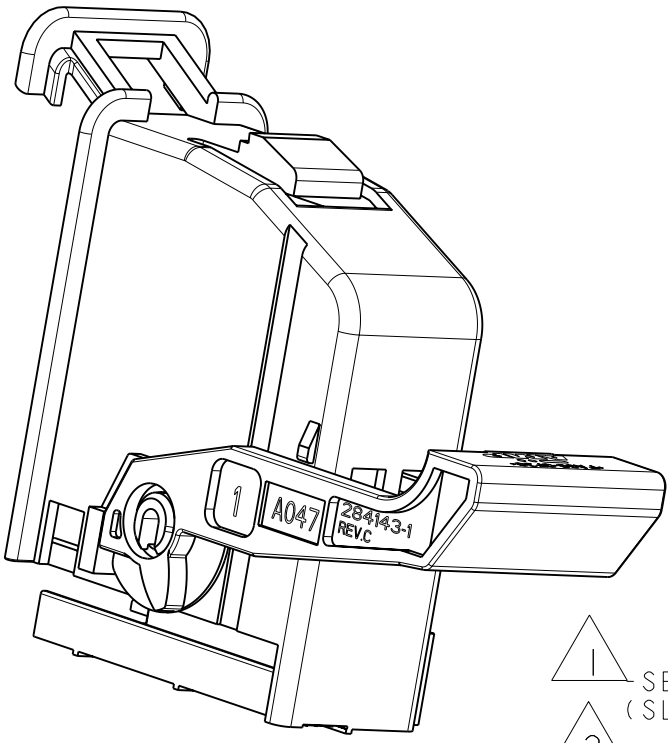
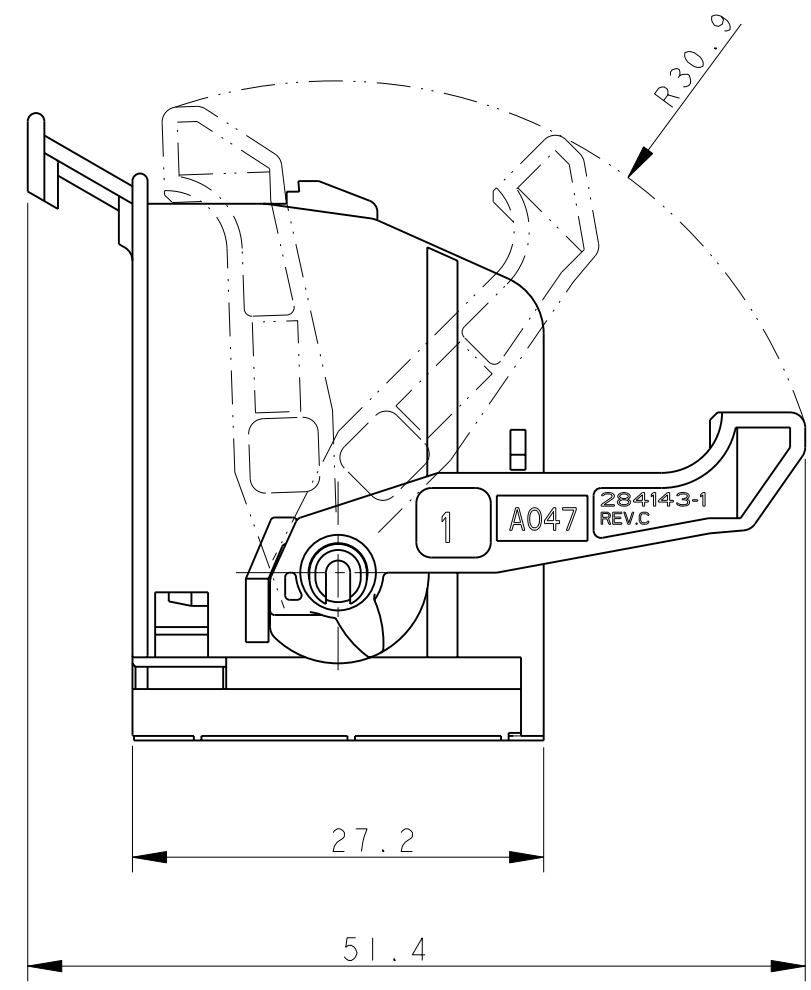
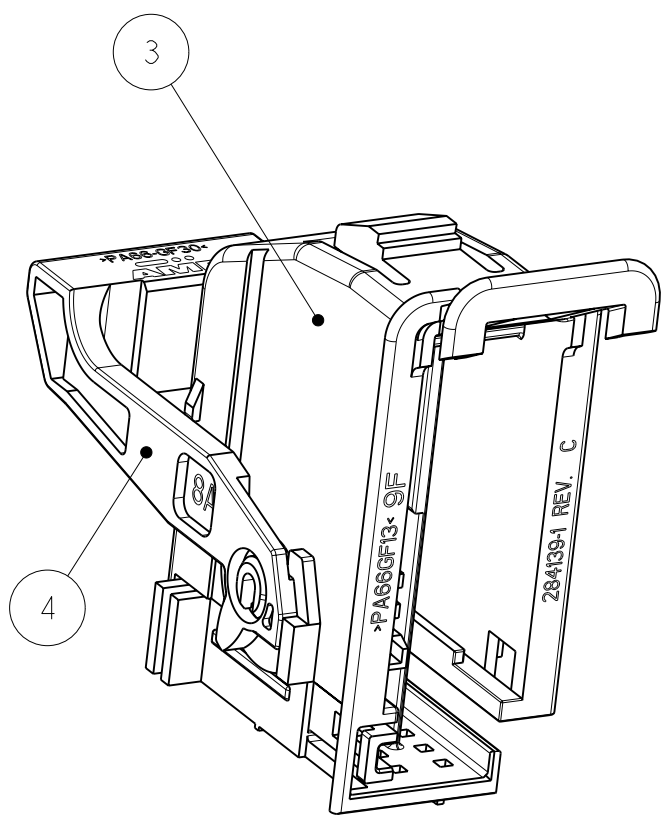
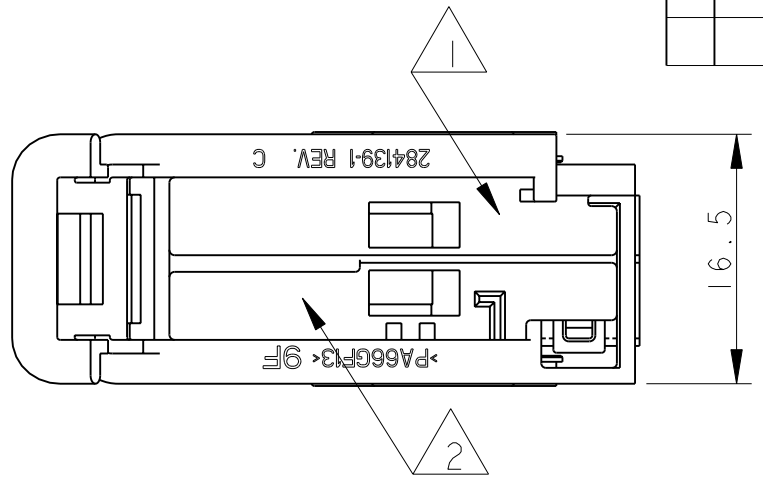
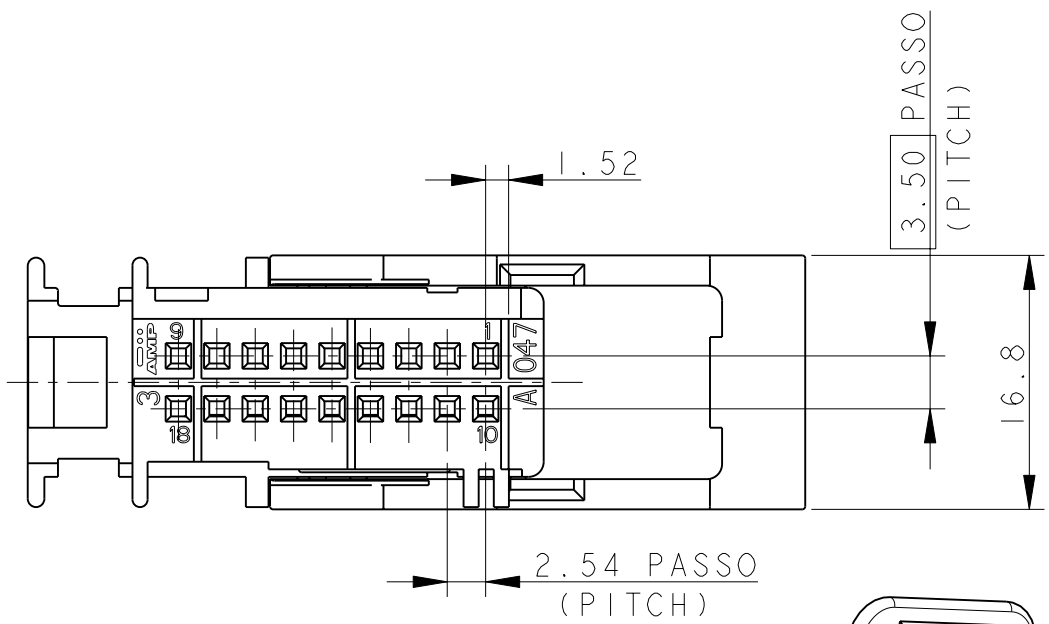


LOC	DIST	REVISIONS			
P	LTR	DESCRIPTION	DATE	DWN	APVD
		A2	RELEASED FOR PRODUCTION (ET00-0205-00)	17JUN2000	M.S. O.C.
		A3	REVISED PER ECR-11-019179	26SEP2011	M.G. M.G.



- 1 SEDE ADATTA PER MODULO IDC 9 POS. PASSO 2.54 mm P/N.284126-1
(SLOT SUITABLE FOR IDC MODULE 9 POS. 2.54 mm PITCH P/N 284126-1)
- 2 SEDE ADATTA PER MODULO CRIMP 9 POS. PASSO 2.54 mm P/N 284134
(SLOT SUITABLE FOR CRIMP MODULE 9 POS. 2.54 mm PITCH P/N 284134)

284136-1 AS SHOWN

MATERIALI (MATERIALS)
 3-CORAZZA: PA 6.6 CARICATO VETRO VEDI TAB. FOGLIO 2-2 PER COLORE
 (3-SHELL: PA 6.6 GLASS FILLED SEE TABLE SHEET 2-2 FOR COLOR)
 4-LEVA: PA 6.6 CARICATO VETRO COLORE ROSSO
 (4-LEVER: PA 6.6 GLASS FILLED RED COLOR)

THIS DRAWING IS A CONTROLLED DOCUMENT.		DWN	G. STELLA	18AUG98	 TE Connectivity
DIMENSIONS: mm		CHK	A. GENTA	18AUG98	
TOLERANCES UNLESS OTHERWISE SPECIFIED:		APVD	A. BRUNI	18AUG98	
0 PLC ±- 1 PLC ±0.3 2 PLC ±- 3 PLC ±- 4 PLC ±- ANGLES ±°		PRODUCT SPEC	NAME		
MATERIAL -		FINISH -	APPLICATION SPEC -		RESTRICTED TO -
		WEIGHT -	CUSTOMER DRAWING		SCALE 1:1
		SIZE A3		CAGE CODE 00779	DRAWING NO C-284136
		SHEET 1 OF 2		REV A3	

