

REVISIONS

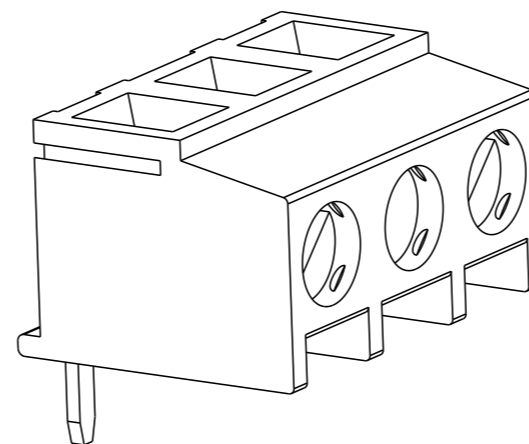
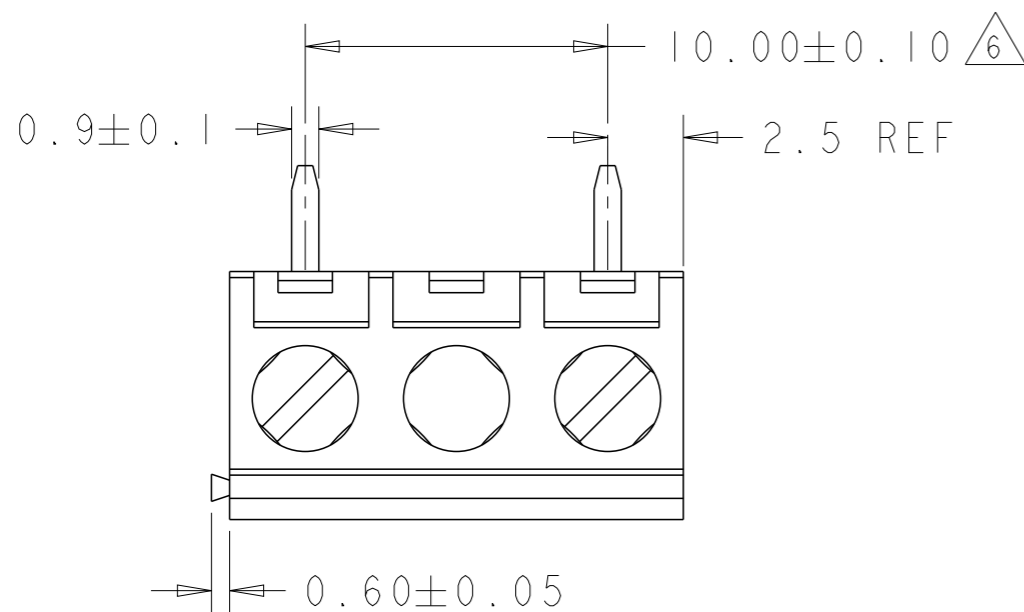
P	LTR	DESCRIPTION	DATE	DWN	APVD
	E	PACKAGING CHANGED FROM BLACK POLYURETHANE SPONGE TO TRAY	30MAR2018	RK	PS

NOTES:

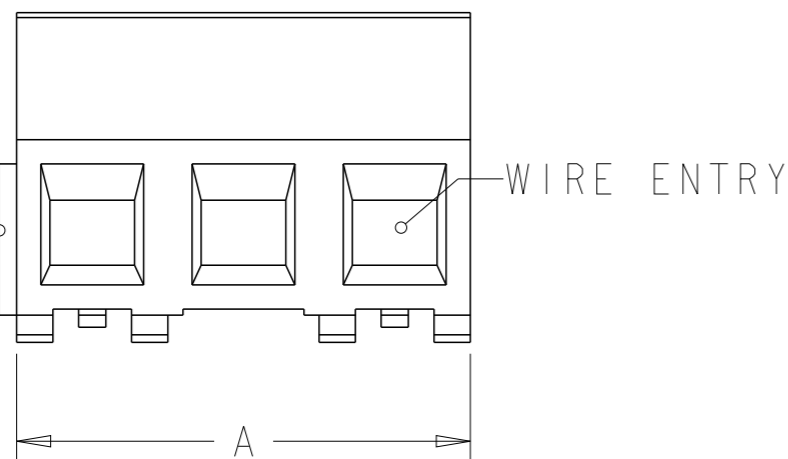
- MATERIALS AND FINISH)
 HOUSING: PA 6-6, UL 94-V0, COLOR GREEN.
 CLAMP: BRASS, NICKEL PLATED.
 TERMINAL: BRASS, TIN PLATED.
 CLAMPING SCREW: M3, BRASS, NICKEL PLATED.
- MECHANICAL
 WIRE STRIPPING LENGTH : 5.0-6.0 mm
 MIN. PC BOARD HOLES DIAMETER : 1.1 mm
 MAX. PC BOARD THICKNESS : 2.4 mm
 RECOMMENDED TIGHTENING TORQUE FOR SCREW : 0.5 Nm.
- ELECTRICAL
 WIRE RANGE : 16-30 AWG
 MAX. VOLTAGE : 600 V
 MAX CURRENT : 13.5 A
 CONTACT RESISTANCE : <15 m Ohm
 INSULATION RESISTANCE : >1000 M Ohm (500V DC)
- OPERATING TEMPERATURE RANGE: -40°C TO +110°C
- PACKED IN TRAY.

△ NOT CUMULATIVE TOLERANCE.

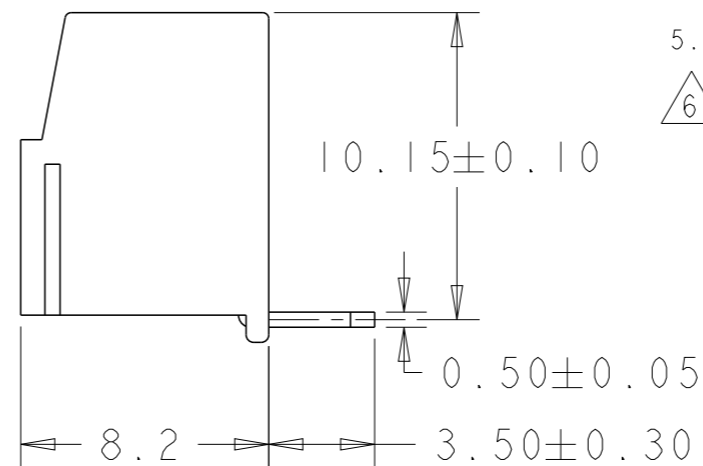
125.0	13	1-284095-3
115.0	12	1-284095-2
105.0	11	1-284095-1
95.0	10	1-284095-0
85.0	9	284095-9
75.0	8	284095-8
65.0	7	284095-7
55.0	6	284095-6
45.0	5	284095-5
35.0	4	284095-4
25.0	3	284095-3
15.0	2	284095-2
DIM. A	NO OF POS.	PART NUMBER



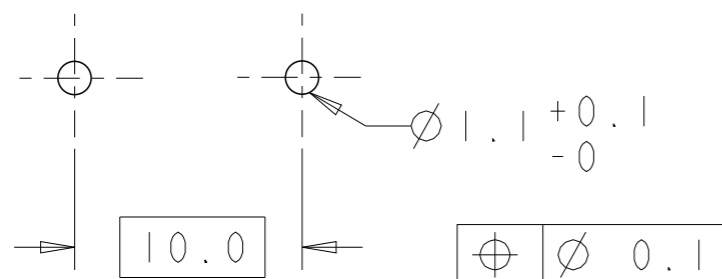
284095-2 AS SHOWN




INTERLOCKING FEATURE



RECOMMENDED PC BOARD LAYOUT



THIS DRAWING IS A CONTROLLED DOCUMENT.		DWN 26APR2001 E. ZANOLINI	 TE Connectivity	
DIMENSIONS: mm		CHK 26APR2001 D. BIEVENOUR		
TOLERANCES UNLESS OTHERWISE SPECIFIED:		APVD 26APR2001 D. BIEVENOUR	NAME TERMINAL BLOCK, PCB MOUNT TOP ENTRY WIRE 10.00mm PITCH	
0 PLC ± 1 PLC ±0.3 2 PLC ±0.25 3 PLC ± 4 PLC ±		PRODUCT SPEC 108-20166	SIZE CAGE CODE DRAWING NO RESTRICTED TO	
ANGLES ±2		APPLICATION SPEC 114-200798	A300779 C-284095	
MATERIAL SEE NOTES		FINISH SEE NOTES	WEIGHT -	
		CUSTOMER DRAWING		SCALE 4:1 SHEET 1 OF 1 REV E