

THIS DRAWING IS UNPUBLISHED.

RELEASED FOR PUBLICATION

20

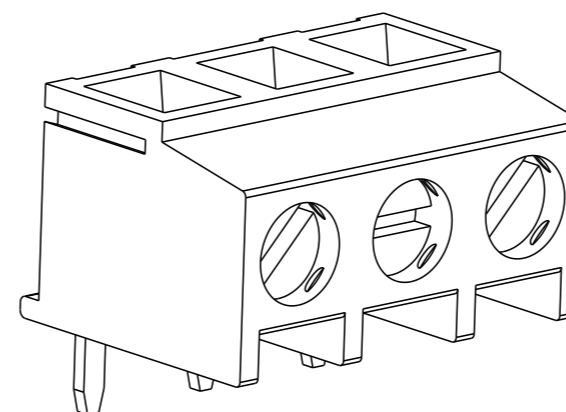
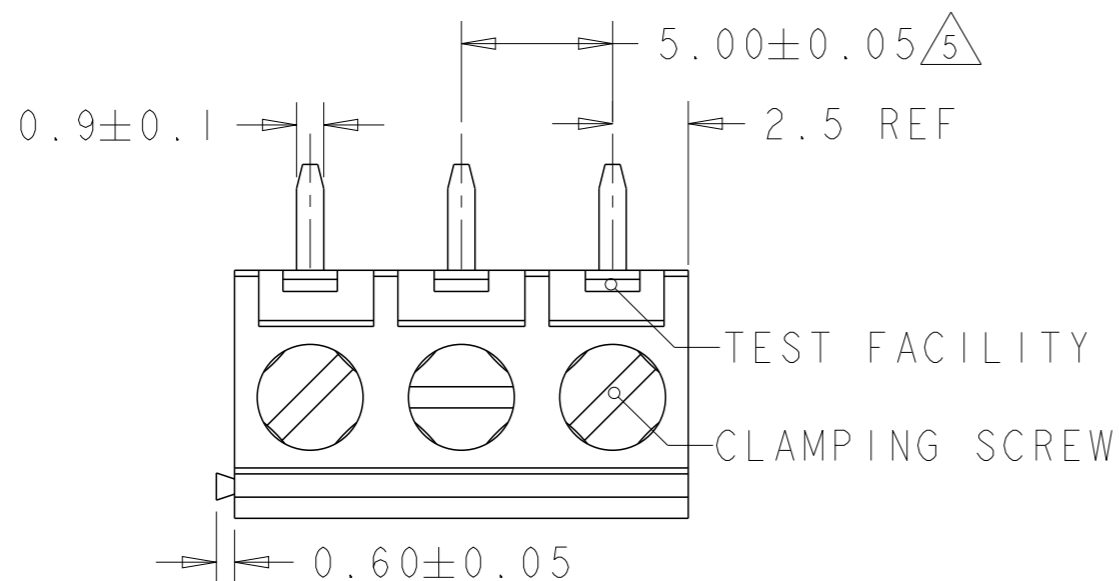
© COPYRIGHT 20 BY -

ALL RIGHTS RESERVED.

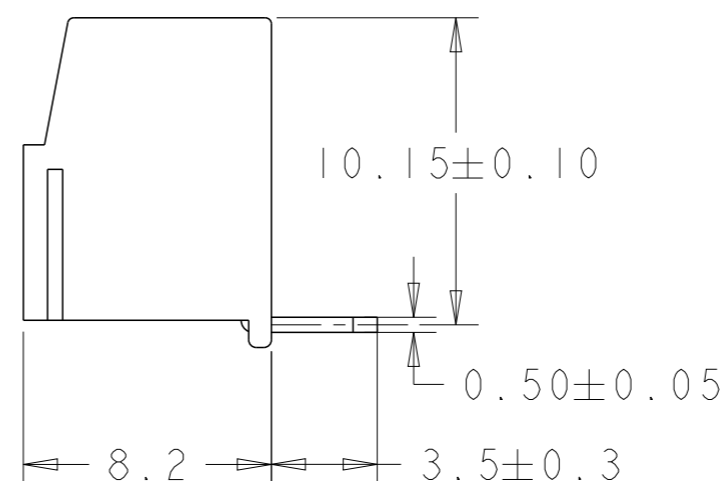
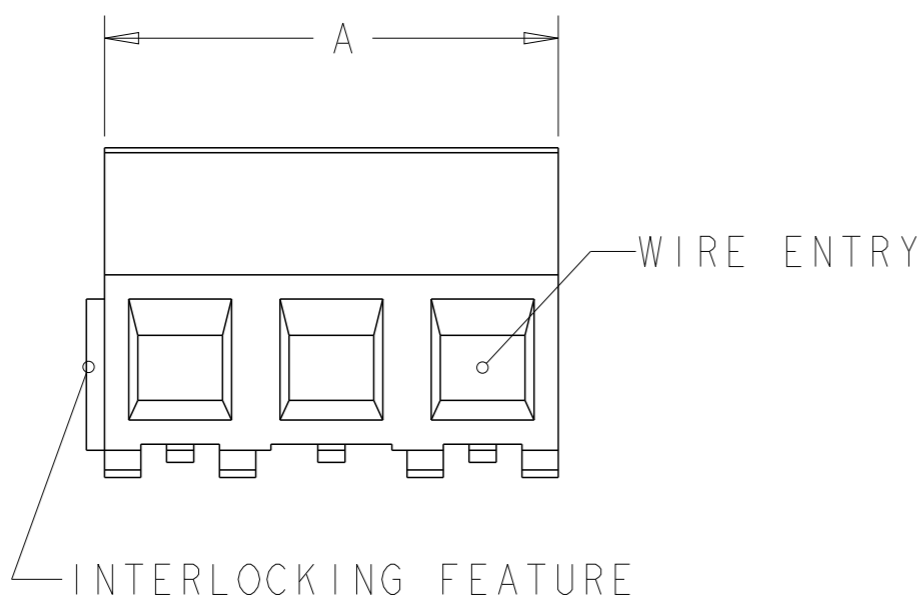
LOC	DIST
FT	0

REVISIONS

P	LTR	DESCRIPTION	DATE	DWN	APVD
	E	PACKAGING CHANGED FROM BLACK POLYURETHANE SPONGE TO TRAY	06MAR2018	RK	PS

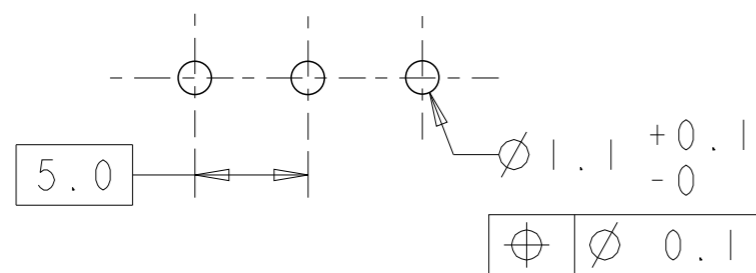


284093-3 AS SHOWN



DIM. A	NO OF POS.	PART NUMBER
125.0	25	2-284093-5
120.0	24	2-284093-4
115.0	23	2-284093-3
110.0	22	2-284093-2
105.0	21	2-284093-1
100.0	20	2-284093-0
95.0	19	1-284093-9
90.0	18	1-284093-8
85.0	17	1-284093-7
80.0	16	1-284093-6
75.0	15	1-282093-5
70.0	14	1-284093-4
65.0	13	1-284093-3
60.0	12	1-284093-2
55.0	11	1-284093-1
50.0	10	1-284093-0
45.0	9	284093-9
40.0	8	284093-8
35.0	7	284093-7
30.0	6	284093-6
25.0	5	284093-5
20.0	4	284093-4
15.0	3	284093-3
10.0	2	284093-2

RECOMMENDED PC BOARD LAYOUT



THIS DRAWING IS A CONTROLLED DOCUMENT.

DIMENSIONS:	TOLERANCES UNLESS OTHERWISE SPECIFIED:
mm	
	0 PLC ±.3
	1 PLC ±.3
	2 PLC ±.25
	3 PLC ±.
	4 PLC ±.
	ANGLES ±2

MATERIAL	FINISH

DWN	E. ZANOLINI
CHK	D. BIEVENOUR
APVD	D. BIEVENOUR
PRODUCT SPEC	108-20166
APPLICATION SPEC	114-20079
WEIGHT	-

STE TE Connectivity

NAME: TERMINAL BLOCK, PCB MOUNT
TOP ENTRY WIRE, STACKING
W/INTERLOCK, 5.00mm PITCH

SIZE	CAGE CODE	DRAWING NO	RESTRICTED TO
A3	00779	C-284093	-

CUSTOMER DRAWING SCALE 4:1 SHEET 1 OF 2 REV E

THIS DRAWING IS UNPUBLISHED.

RELEASED FOR PUBLICATION

20

© COPYRIGHT 20

BY -

ALL RIGHTS RESERVED.

LOC
FT

DIST
0

REVISIONS

P	LTR	DESCRIPTION	DATE	DWN	APVD
	-	SEE SHEET 1	-	-	-

NOTES:

1 MATERIALS AND FINISH
 HOUSING: PA 6-6, UL 94-V0, COLOR GREEN.
 CLAMP: BRASS, NICKEL PLATED.
 TERMINAL: BRASS, TIN PLATED.
 CLAMPING SCREW: M3, BRASS, NICKEL PLATED.

2. MECHANICAL
 WIRE STRIPPING LENGTH : 5.0-6.0 mm
 MIN. PC BOARD HOLES DIAMETER : 1.1 mm
 MAX. PC BOARD THICKNESS : 2.4 mm
 RECOMMENDED TIGHTENING TORQUE FOR SCREW : 0.5 Nm.

3. ELECTRICAL
 WIRE RANGE : 16-30 AWG
 MAX. VOLTAGE : 300 V
 MAX CURRENT : 13.5 A
 CONTACT RESISTANCE : <15 m Ohm
 INSULATION RESISTANCE : >1000 M Ohm (500V DC)

4. END-TO-END STACKABLE W/INTERLOCK WITHOUT LOSS OF CENTERLINE SPACING.

5 NOT CUMULATIVE TOLERANCE.

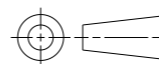
6. PART COMPLIES WITH EN 60335-1.

7. PACKED IN TRAY.

8 OBSOLETE.

THIS DRAWING IS A CONTROLLED DOCUMENT.

DIMENSIONS:
mm



TOLERANCES UNLESS OTHERWISE SPECIFIED:
 0 PLC ±-
 1 PLC ±.3
 2 PLC ±.25
 3 PLC ±-
 4 PLC ±-
 ANGLES ±2

MATERIAL

FINISH

DWN E. ZANOLINI IOSEP2001
 CHK D. BIEVENOUR IOSEP2001
 APVD D. BIEVENOUR IOSEP2001

PRODUCT SPEC 108-20166
 APPLICATION SPEC 114-20079
 WEIGHT -

CUSTOMER DRAWING



NAME
 TERMINAL BLOCK, PCB MOUNT
 TOP ENTRY WIRE, STACKING
 W/INTERLOCK, 5.00mm PITCH

SIZE A3 CAGE CODE 00779 DRAWING NO C-284093 RESTRICTED TO -

SCALE 4:1 SHEET 2 OF 2 REV E