

THIS DRAWING IS UNPUBLISHED.

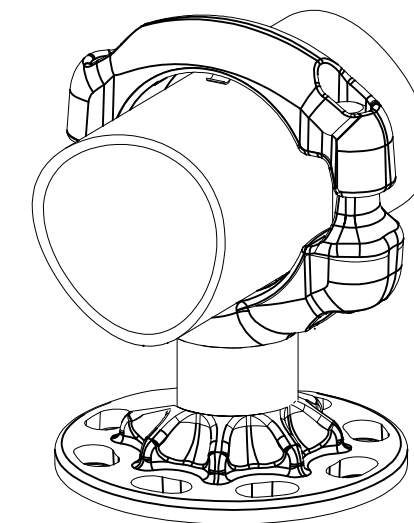
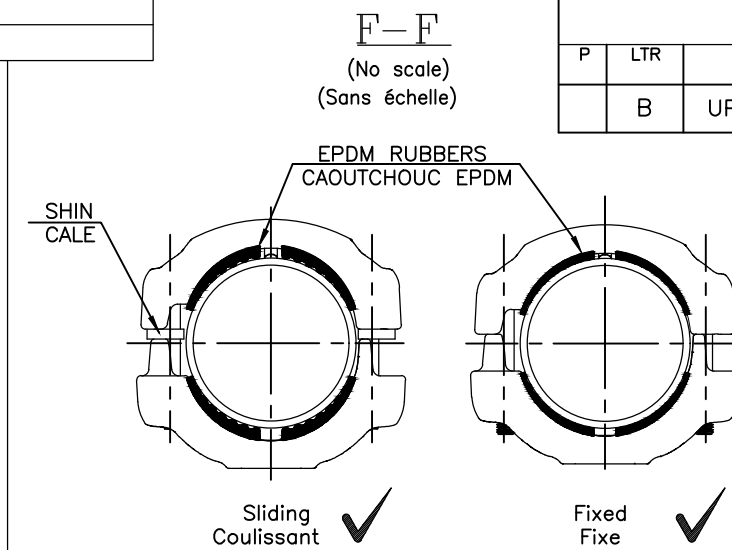
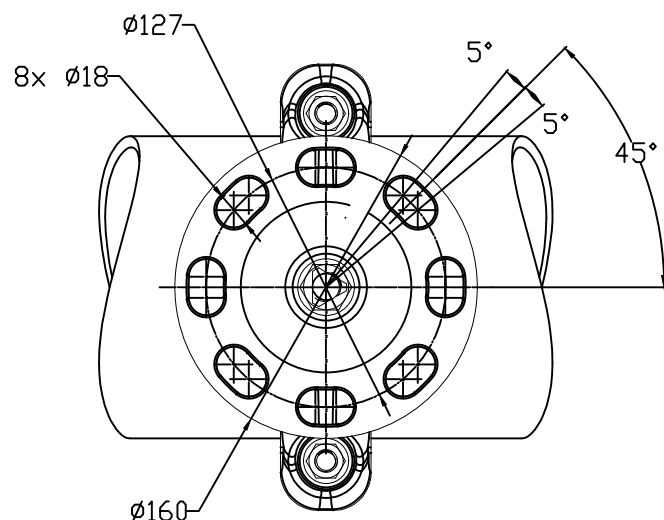
RELEASED FOR PUBLICATION

ALL RIGHTS RESERVED.

© COPYRIGHT - By -

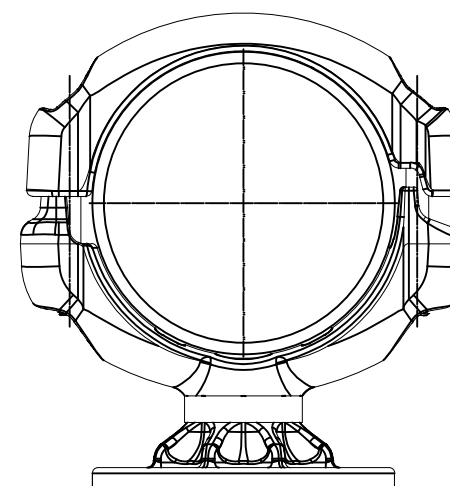
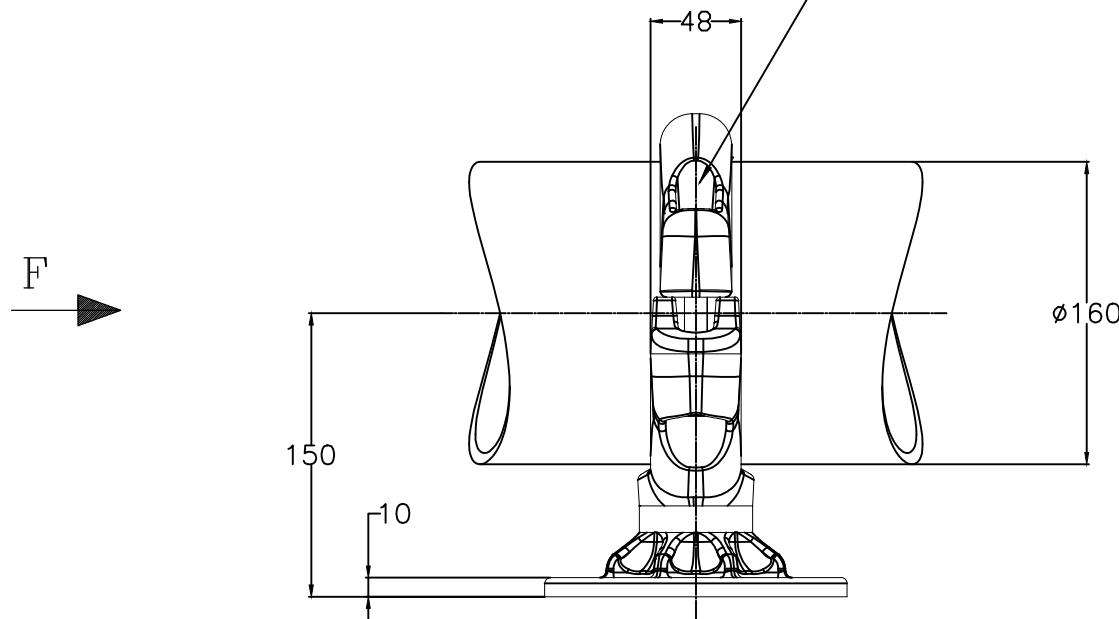
REVISIONS

P	LTR	DESCRIPTION	DATE	DWN	APVD
	B	UPDATED DRAWING	22-FEB-19	GL	-



No scale
Sans échelle

M12 Stainless steel bolts A2: 60Nm
Boulons M12 acier inoxydable A2: 60Nm



Fixed or sliding
Fixe ou coulissant

ITEM:.....

THIS DRAWING IS A CONTROLLED DOCUMENT.		DWN CHARTON	24-NOV-14	STE TE Connectivity	
DIMENSIONS: mm		CHK	-		
TOLERANCES UNLESS OTHERWISE SPECIFIED:		APVD	-	NAME BUSBAR SUPPORT ON BPI SUPPORT TUBE SUR ISO	
0 PLC ± -		PRODUCT SPEC		5 TSR 82 P5 T160 H150	
1 PLC ± -		APPLICATION SPEC		108-69090-001	
2 PLC ± -		APPROX.WEIGHT		SIZE	RESTRICTED TO
3 PLC ± -		2.2 kg		A3	-
4 PLC ± -		CUSTOMER DRAWING		CAGE CODE	DRAWING NO
ANGLES ± -		SCALE		00779	©=2839332
FINISH		1:4		SHEET	REV
-		1 OF 1		B	B