

THIS DRAWING IS UNPUBLISHED.
DIFFUSION RESTREINTE

RELEASED FOR PUBLICATION
LIBRE A LA DIFFUSION

2011

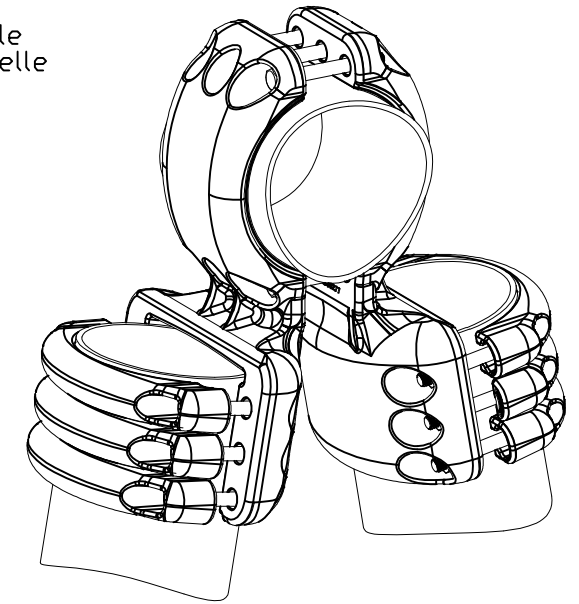
© COPYRIGHT 2011

by Tyco Electronics Corporation

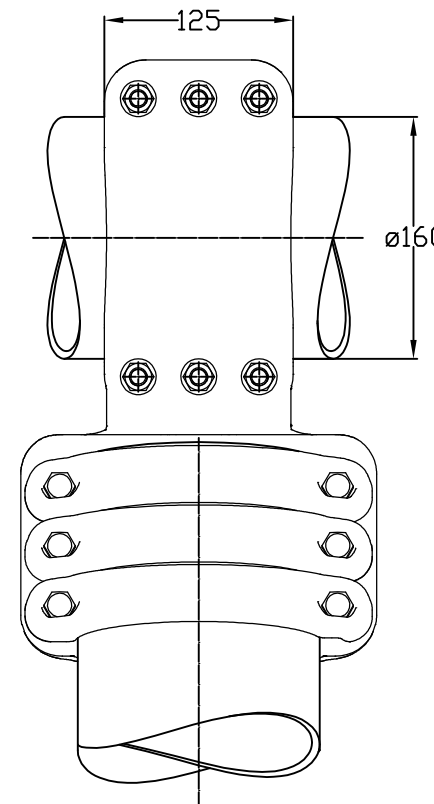
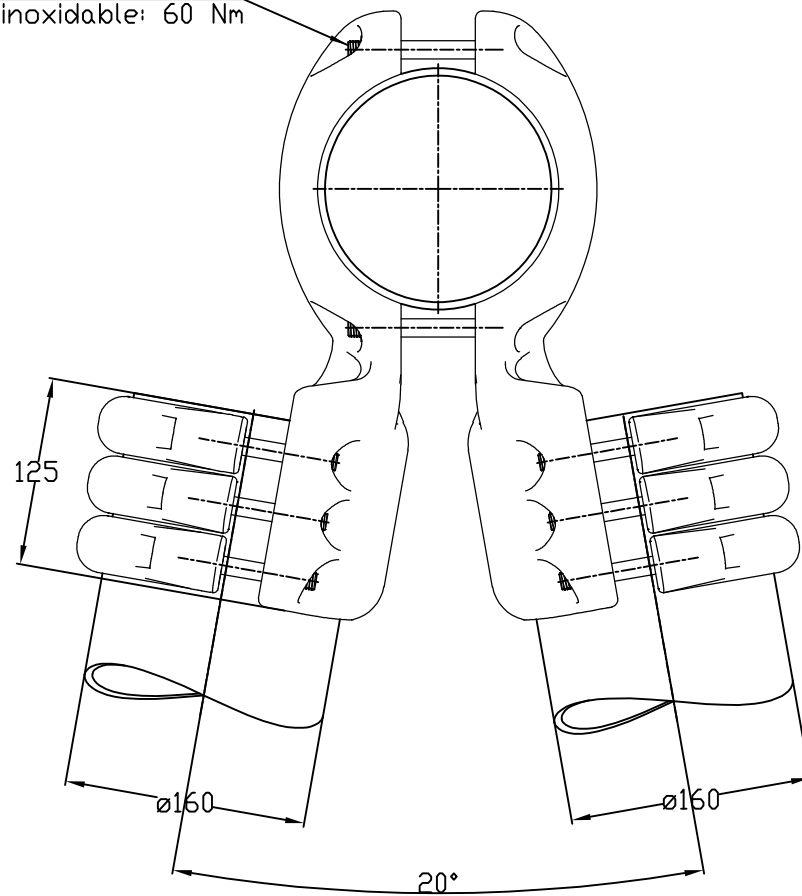
ALL RIGHTS RESERVED.
TOUS DROITS RESERVES

LOC	DIST	REVISIONS					
		P	LTR REV	DESCRIPTION MODIFICATIONS	DATE	DWN DESS	APVD APPR
-	-		A	CREATION	29-Oct-14	TC	-
			B	UPDATED DRAWING	17-Nov-14	TC	-
			C	UPDATED DRAWING	05-Feb-15	BH	-


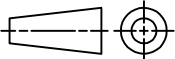
No scale
Sans échelle



M12 Stainless steel bolts : 60Nm
Boulons M12 acier inoxydable: 60 Nm



ITEM:.....

THIS DRAWING IS A CONTROLLED DOCUMENT. <small>CE PLAN EST UN DOCUMENT CONTRÔLÉ PAR TYCO ELECTRONICS CORPORATION IL EST SUSCEPTIBLE D'ÊTRE RÉVISÉ. POUR OBTENIR LA DERNIÈRE RÉVISION, CONTACTER LE SERVICE TECHNIQUE DE TYCO ELECTRONICS SIMEL SAS, 21220 GÉVREY-CHAMBERTIN, FRANCE.</small>		DWN /DESSINE CHARTON	29-Oct-14	 TE connectivity SIMEL PRODUCTS	
DIMENSIONS: mm		CHK/VERIFIE	-		
TOLERANCES UNLESS OTHERWISE SPECIFIED PER TOLERANCES NON SPECIFIEES SELON : -		APVD/APPROUVE	-	NAME TITRE DOUBLE TEE CONNECTOR AT 20° FOR TUBE 160DIA TE DOUBLE A 20° POUR TUBE ø160 5 TDZ 20 82 TR160	
		PRODUCT SPEC SPEC. PRODUIT	108-69090-001		
MATERIAL MATIERE		APPLICATION SPEC SPEC. APPLICATION	-	SIZE FORMAT	A3
FINISH FINITION		APPROX. WEIGHT MASSE APPROX.	10 KG	CAGE CODE	00779
		CUSTOMER DRAWING /PLAN CLIENT		DRAWING NO No PLAN	©=2839161
		UNIQUEMENT POUR REFERENCE		RESTRICTED TO RESERVE A	-
		SCALE ECHELLE	1/5	SHEET FEUILLE	1 OF DE 1
				REV	C