

THIS DRAWING IS UNPUBLISHED.  
 DIFFUSION RESTREINTE

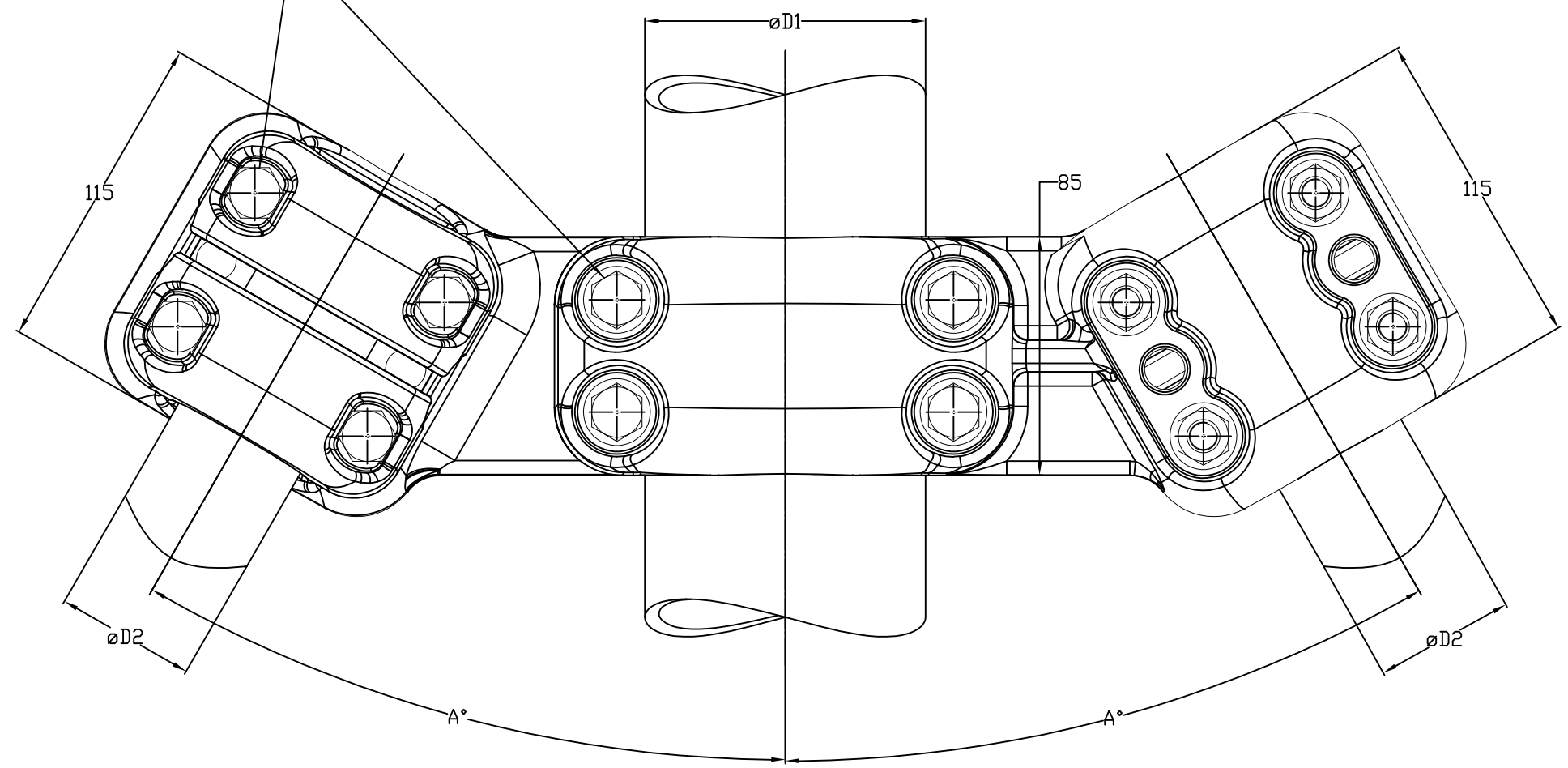
RELEASED FOR PUBLICATION  
 LIBRE A LA DIFFUSION

2011

© COPYRIGHT 2011 by Tyco Electronics Corporation  
 ALL RIGHTS RESERVED.  
 TOUS DROITS RESERVES


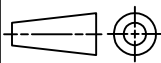
LOC	DIST	REVISIONS				
P	LTR REV	DESCRIPTION MODIFICATIONS	DATE	DWN DESS	APVD APPR	
-	-	A	CREATION	29-Oct-14	TC -	
		B	UPDATED DRAWING	17-Nov-14	TC -	
		C	UPDATED DRAWING	24-Apr-15	PG -	

Boulons M12 Inox : 60Nm  
 M12 Stainless steel Bolts : 60Nm



ITEM:.....

A	30
ØD1	100
ØD2	50

THIS DRAWING IS A CONTROLLED DOCUMENT. <small>CE PLAN EST UN DOCUMENT CONTROLE PAR TYCO ELECTRONICS CORPORATION          IL EST SUSCEPTIBLE D'ETRE REVISE. POUR OBTENIR LA DERNIERE REVISION,          CONTACTER LE SERVICE TECHNIQUE DE TYCO ELECTRONICS SIMEL SAS,          91220 SEVREY-CHAMBERTIN, FRANCE.</small>		DWN /DESSINE CHARTON 29-Oct-14		 <b>TE connectivity</b> SIMEL PRODUCTS	
DIMENSIONS: mm		APVD/APPROUVE -			
		TOLERANCES UNLESS OTHERWISE SPECIFIED PER TOLERANCES NON SPECIFIEES SELON : -		PRODUCT SPEC SPEC. PRODUIT 108-69090-001	
MATERIAL /MATERIE -		FINISH /FINITION -		APPLICATION SPEC SPEC. APPLICATION -	
		WEIGHT /MASSE APPROX. 5.9 KG		SIZE /FORMAT A3	
		CUSTOMER DRAWING /PLAN CLIENT		CAGE CODE 00779	
		UNIQUEMENT /POUR REFERENCE		DRAWING NO /No PLAN C-2839157	
		SCALE /ECHELLE 1/2		RESTRICTED TO /RESERVE A -	
		SHEET /FEUILLE 1 OF /DE 1		REV C	