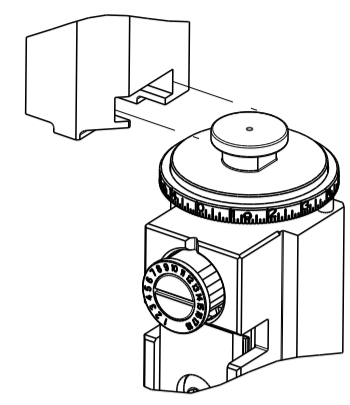


PART NUMBER	REVISION	DESCRIPTION	FEED TYPE
2836365-2	F	FINE CRIMP HEIGHT ADJUST	PNEUMATIC
3-2836365-2	F	FINE CRIMP HEIGHT ADJUST	DOUBLE ACTING PNEUMATIC WITH SENSORS
7-2836365-2	F	PNEUMATIC AND CRIMP TOOLING KIT	PNEUMATIC
7-2836365-7	B	CRIMP TOOLING KIT	-

ATLANTIC VERSION TERMINATOR INTERFACE ADAPTER



APPLICATOR DATA		
CRIMP	SIZE	TYPE
WIRE	3.81 mm [.150]	0
APPLICATOR INSTRUCTIONS 408-35042		

TERMINAL DATA: TE TERMINAL				TE CRIMP SPECIFICATION			
TERMINAL NAME: SHIELD, SHELL, BARREL							
WIRE STRIP LENGTH				INSULATION DIAMETER RANGE			
17.60-18.40 mm [.693-.724 IN]				Ø			
TERMINAL APPLICATION SPECIFICATION				TERMINAL APPLICATION SPECIFICATION			
(A)114-94117				-			
TERMINALS APPLIED				TERMINALS APPLIED			
TE TERMINAL				TE TERMINAL			
(A) 2141360-1				(A) 2141360-3			

TERMINAL DATA: TE TERMINAL				TE CRIMP SPECIFICATION			
TERMINAL NAME: SHIELD, SHELL, BARREL							
WIRE STRIP LENGTH				INSULATION DIAMETER RANGE			
17.60-18.40 mm [.693-.724 IN]				Ø			
TERMINAL APPLICATION SPECIFICATION				TERMINAL APPLICATION SPECIFICATION			
-				-			
TERMINALS APPLIED				TERMINALS APPLIED			
TE TERMINAL				TE TERMINAL			
(B) 2141360-1				(B) 2141360-3			

WIRE SIZE	CRIMP HEIGHT mm [INCH]	CRIMP HEIGHT REFERENCE SETTING
Leoni Dacor 538	3.80+/-0.10 [.150+/- .004]	8.5

WIRE SIZE	CRIMP HEIGHT mm [INCH]	CRIMP HEIGHT REFERENCE SETTING
Leoni Dacor 647-4(STP)	3.80+/-0.15 [.150+/- .006]	8.5

- 1 RECOMMENDED SPARE PARTS
- 2 REFER TO SUPPLIED INSTRUCTION SHEET FOR CLEANING, LUBRICATION AND STORAGE OF APPLICATOR.
- 3 THIS APPLICATOR IS EQUIPPED WITH THE DOUBLE ACTING FEED WITH SENSORS AND IS APPLICATION SPECIFIC. IT DOES NOT REQUIRE ITEMS 49 & 248.
- 4 CRIMP HEIGHT REFERENCE SETTING WAS THE SETTING USED WHEN THE APPLICATOR WAS QUALIFIED AT THE FACTORY. ADJUSTMENT MAY BE NECESSARY WHEN RUNNING APPLICATOR IN THE FIELD.
- 5 TERMINAL PITCH NOT COMPATIBLE WITH MECHANICAL FEED.
- 6. UNLESS SPECIFIED OTHERWISE TORQUE VALUES SHALL BE USED PER DOCUMENT, 101-35000.

***WARNING**
ON INSTALLATION, SET WIRE DISC TO CRIMP HEIGHT REFERENCE SETTING FOR LARGEST WIRE SIZE. CRIMP HEIGHT REFERENCE SETTINGS GREATER THAN THE VALUE SHOWN MAY CAUSE DAMAGE TO THE CRIMP TOOLING. REFER TO THE INSTRUCTION SHEET FOR PROPER SETUP AND ADJUSTMENTS.

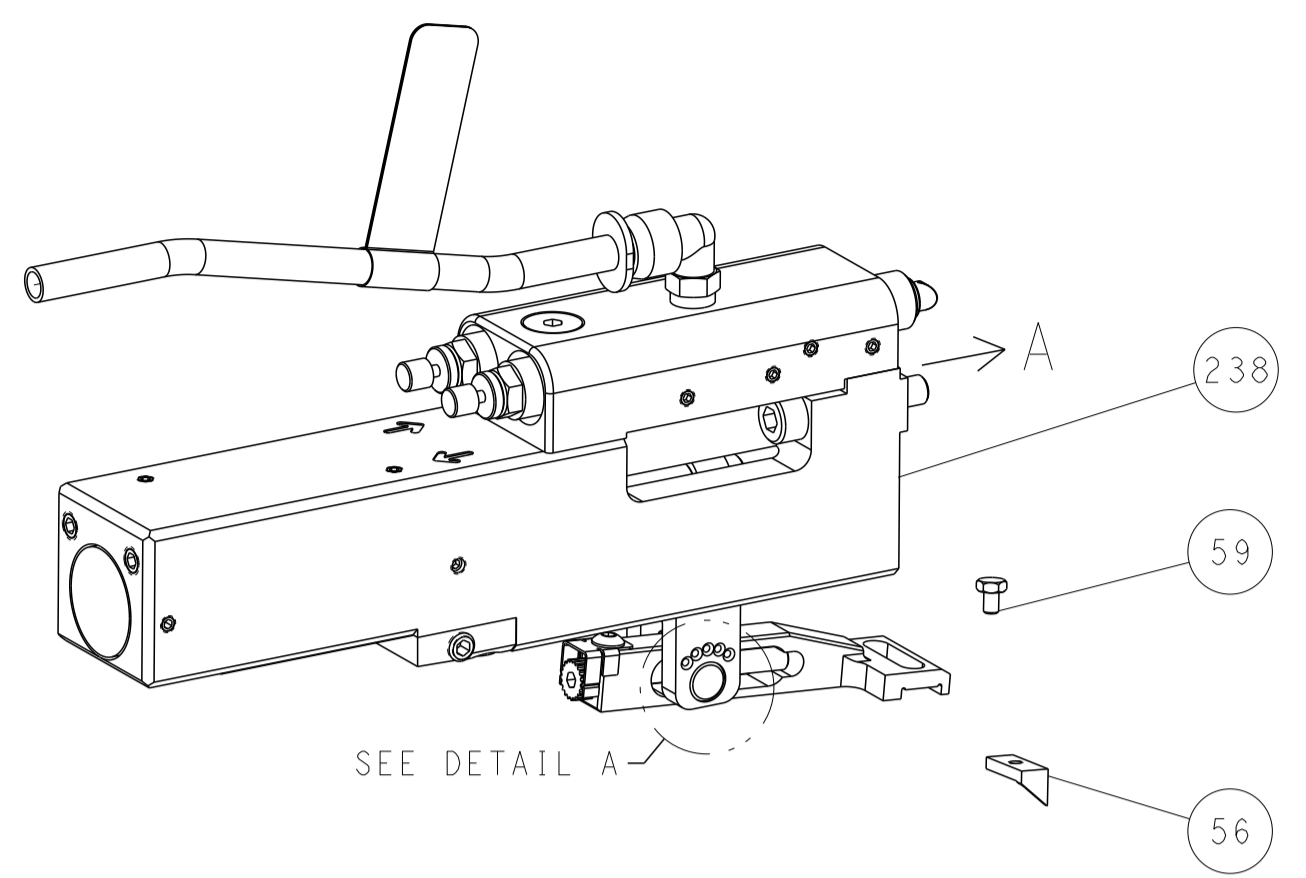
LOC	DIST	REVISIONS					
A	66	P	LTN	DESCRIPTION	DATE	OWN	APVD
		F		ECR-21-003308	17MAR2021	FJ	TE
		F1		ECR-21-116076	04OCT2021	JWC	TE
		F2		ECR-21-117338	14OCT2021	LG	TE
		F3		ECR-23-192229	10NOV2023	FZ	JAH

-	-	1	-	2844950-1	AIR FEED MODULE	290
-	1	1	1	7-18023-7	SCR, SKT HD CAP M3 X 4.0	283
1	-	1	1	2280441-1	INSERT, SHEAR	282
-	1	1	1	1803078-2	SPACER, PRECISION	259
3	-	1	-	2119641-1	FEED CAM, AIR FEED	248
-	1	-	1	2844940-1	AIR FEED MODULE	238
-	1	1	1	1-356885-0	STOP, SHEAR	237
-	REF	REF	REF	994970-2	COUNTER, MAGNETIC	164
-	1	1	1	1-22281-8	SPRING, COMPRESSION	121
-	1	1	1	1803415-1	WIRE DEPRESSOR	120
-	1	1	1	2844908-1	SCREW, LOCKING	99
-	1	1	1	2844907-1	POST, LOCKING	98
-	1	1	1	1-690438-0	FRONT STRIP GUIDE	96
-	2	2	2	2168083-1	SCR, SKT HD CAP, RoHS, M3 X 8.0	95
-	1	1	1	2168083-6	SCR, SKT HD CAP, RoHS, M5 X 65	93
-	2	2	2	1803413-1	PLATE, WIRE DEPRESSOR	86
-	8	8	8	6-18023-9	SCR, SKT HD CAP M2 X 5.0	84
-	1	1	1	1-455888-0	SPACER, CRIMPER -	82
-	1	1	1	1803607-3	DOCUMENTATION PACKAGE	71
-	1	1	1	1803415-1	WIRE DEPRESSOR	70
-	1	1	1	2119740-1	TAG IDENTIFICATION	67
-	2	2	2	2168078-1	SCREW, DRIVE, RH, RoHS, 2 x .188	66
-	2	2	2	2-18032-5	SCR, SET, FLT PNT, M5 X 20.0	61
-	1	1	1	2168083-2	SCR, SKT HD CAP, RoHS, M4 X 8.0	60
-	1	1	1	5-18022-5	SCR, HEX HD CAP, M4 X 6.0	59
-	1	1	1	1338683-1	FEED PAWL	56
-	4	4	4	2168083-3	SCR, SKT HD CAP, RoHS, M4 X 12.0	54
-	2	2	2	1-2168083-0	SCR, SKT HD CAP, RoHS, M4 X 10	53
3	-	1	-	18023-9	SCR, SKT HD CAP M4 X 6.0	49
-	1	1	1	1803583-9	APPLICATOR BASIC ASSEMBLY, SF	46
-	1	1	1	1803515-2	RAM ASSEMBLY, SF ATLANTIC	44
-	1	1	1	1803602-2	SCR, BHSC, RoHS (M8 X 40)	41
-	1	1	1	1803414-1	WIRE GUIDE	34
-	2	2	2	2079383-8	SCR, BHSC, RoHS (M4 X 16)	33
-	2	2	2	1-2844962-5	SPACER, CYLINDRICAL, STRIP GUIDE	30
-	1	1	1	1803771-2	PLATE, REAR STRIP GUIDE	29
-	1	1	1	2-455888-2	SPACER, CRIMPER -	28
-	2	2	2	22283-1	SPRING, COMPRESSION	27
-	1	1	1	356835-1	LEVER, DRAG RELEASE	26
-	1	1	1	240792-1	DRAG, TERMINAL	25
-	1	1	1	1633630-2	PLATE, STRIP GUIDE	24
-	1	1	1	980371-4	SCR, SKT HD SHLDR 5.0 DIA X 6.0	23
-	1	1	1	2168083-2	SCR, SKT HD CAP, RoHS, M4 X 8.0	21
-	1	1	1	1-18028-2	WASHER, FLAT, REG M4	20
-	1	1	1	2119533-1	STRIPPER, SIDE FEED	19
1	-	1	-	1-690463-6	FLOATING SHEAR, REAR	17
1	-	1	-	2119862-1	SHEAR HOLDER, REAR	14
-	1	1	1	3-22280-3	SPRING, COMPRESSION	12
-	-	-	-	-	-	10
-	-	-	-	-	-	9
1	1	2	1	1803416-2	ANVIL, WIRE -	8
-	-	-	-	-	-	7
-	1	1	1	2-690468-9	DEPRESSOR SHEAR, REAR	6
-	-	-	-	-	-	5
-	-	-	-	-	-	4
-	-	-	-	-	-	3
-	-	-	-	-	-	2
1	1	2	1	1633723-8	CRIMPER, WIRE 0 -	1

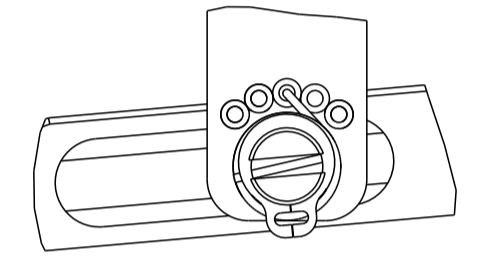
<small>THIS DRAWING IS UNPUBLISHED. IT IS THE PROPERTY OF TYCO ELECTRONICS CORPORATION. IT IS TO BE KEPT IN CONFIDENTIALITY AND NOT TO BE REPRODUCED OR TRANSMITTED IN ANY FORM OR BY ANY MEANS, ELECTRONIC OR MECHANICAL, INCLUDING PHOTOCOPYING, RECORDING, OR BY ANY INFORMATION STORAGE AND RETRIEVAL SYSTEM. PERMISSION TO REPRODUCE THIS DRAWING IN WHOLE OR IN PART IS GRANTED BY TYCO ELECTRONICS CORPORATION TO THE EXTENT THAT THE REPRODUCED DRAWING IS USED TO IDENTIFY THE PARTS OF THE PRODUCT. THIS PERMISSION IS LIMITED TO THE ORIGINAL DRAWING AND DOES NOT EXTEND TO ANY OTHER FORM OR BY ANY MEANS, ELECTRONIC OR MECHANICAL, INCLUDING PHOTOCOPYING, RECORDING, OR BY ANY INFORMATION STORAGE AND RETRIEVAL SYSTEM.</small>		DWG: R. KNEPPER 27-JUN-16 CHK: T. ELBIN 27-JUN-16 APVD: J. DEGRANGE 27-JUN-16	TE Connectivity Harrisburg, PA 17105-3608
DIMENSIONS: mm 		TOLERANCES UNLESS OTHERWISE SPECIFIED: 0 PLC ± 1 PLC ± 2 PLC ± 3 PLC ± 4 PLC ± ANGLES ± FINISH ±	NAME: Ocean Side Feed Applicator PRODUCT SPEC: APPLICATION SPEC: SIZE: A1 CAGE CODE: 00779 DRAWING NO: C=2836365 RESTRICTED TO:
MATERIAL:		WEIGHT:	SCALE: 1:2 SHEET 1 OF 4 REV: F3 Customer Accessible Production Drawing

LOC		DIST		REVISIONS			
A	66	P	LTM	DESCRIPTION	DATE	DMN	APVD
		-		SEE SHEET 1			

FEED TYPE PNEUMATIC

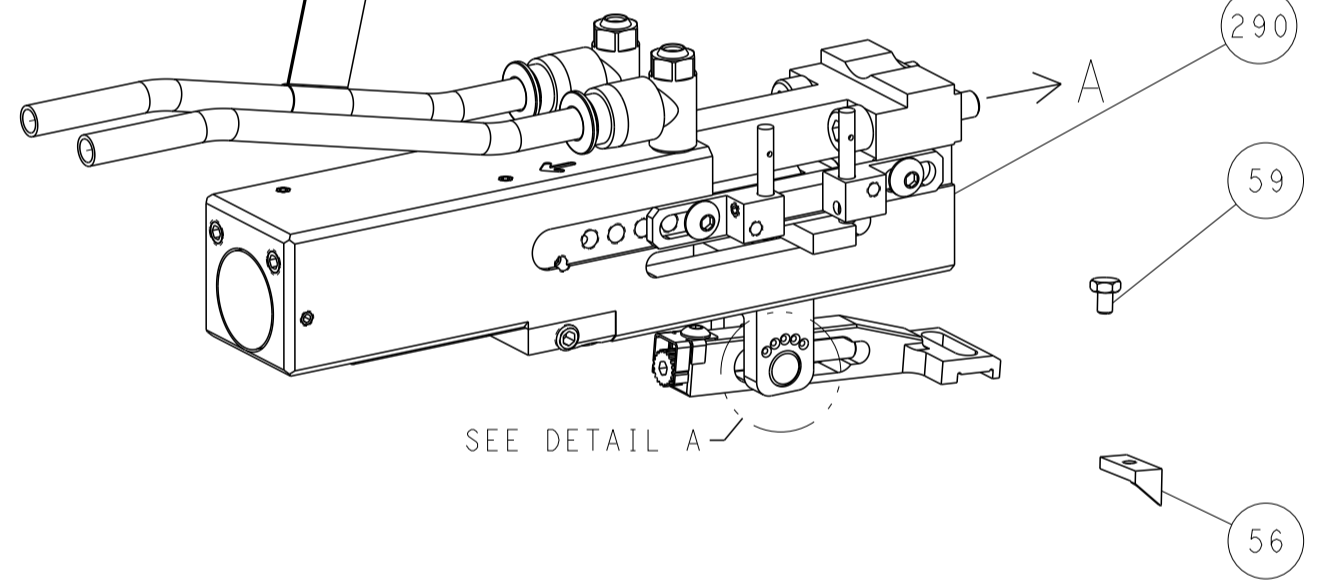


FEED SPRING SETTING POSITION
(SHOWN FROM REAR SIDE)



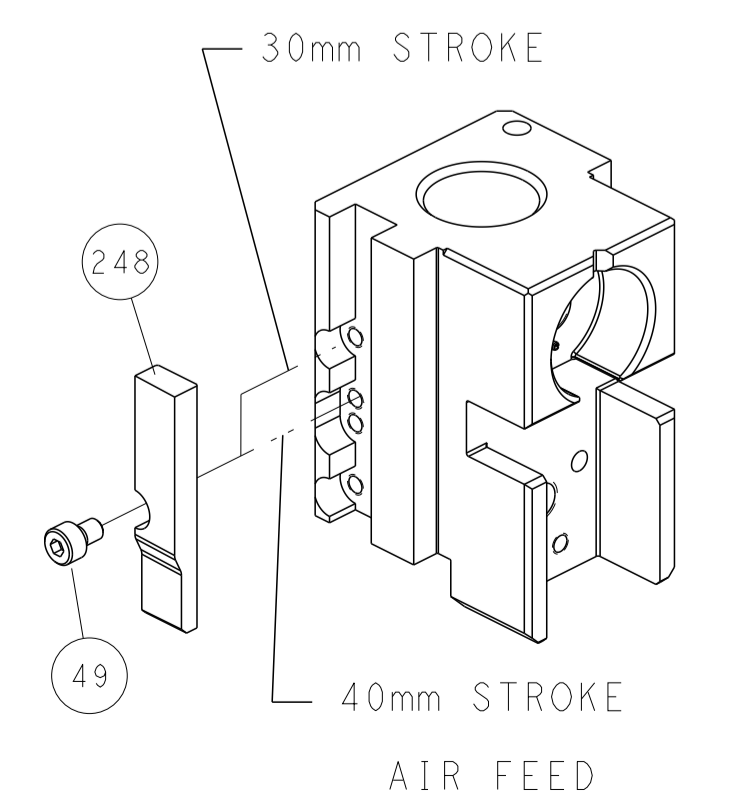
DETAIL A

DOUBLE ACTING PNEUMATIC WITH SENSORS

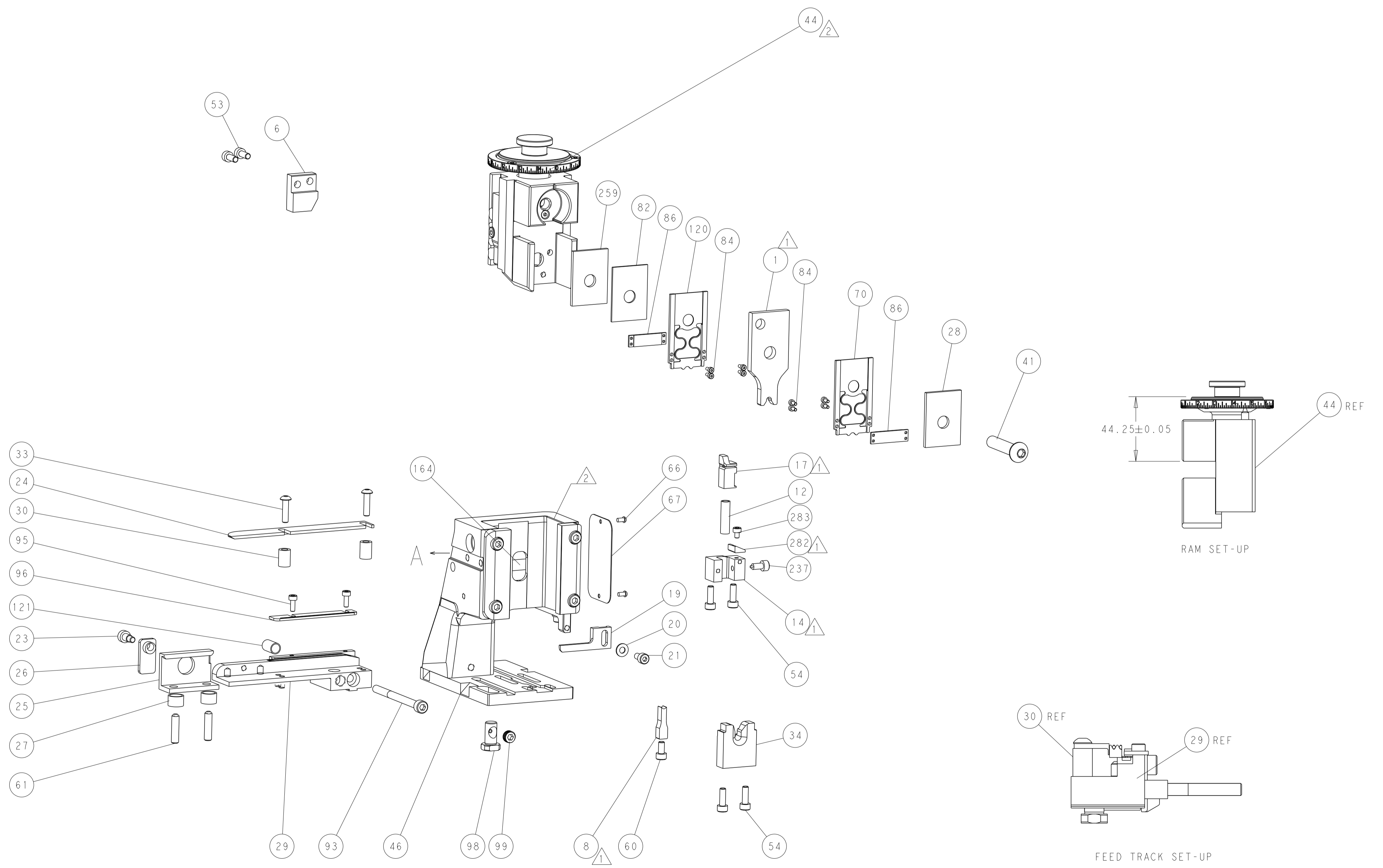


SEE DETAIL A

CAM POSITION



AIR FEED



RAM SET-UP

FEED TRACK SET-UP

<small>THIS DRAWING IS UNPUBLISHED. RELEASED FOR PUBLICATION. ALL RIGHTS RESERVED.</small> <small>THIS DRAWING IS UNPUBLISHED. RELEASED FOR PUBLICATION. ALL RIGHTS RESERVED.</small>		DMN: R. KNEPPER 27-JUN-16 CHK: T. ELBIN 27-JUN-16 APVD: J. DEGRANGE 27-JUN-16	TE Connectivity Harrisburg, PA 17105-3608
DIMENSIONS: mm TOLERANCES UNLESS OTHERWISE SPECIFIED: 0 PLC ± 1 PLC ± 2 PLC ± 3 PLC ± 4 PLC ± ANGLES ± MATERIAL: - FINISH: -		NAME: Ocean Side Feed Applicator PRODUCT SPEC: - APPLICATION SPEC: - WEIGHT: - SCALE: 1:2	SIZE: A1 CAGE CODE: 00779 DRAWING NO: 2836365 SHEET: 2 OF 4 REV: F3
CUSTOMER ACCESSIBLE PRODUCTION DRAWING		RESTRICTED TO: -	