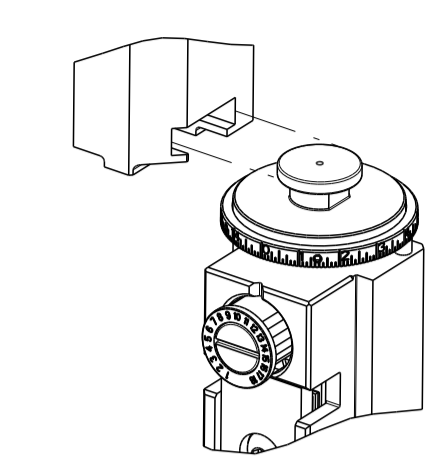


| PART NUMBER | REVISION | DESCRIPTION                      | FEED TYPE  |
|-------------|----------|----------------------------------|------------|
| 2836185-1   | B        | FINE CRIMP HEIGHT ADJUST         | MECHANICAL |
| 2836185-2   | C        | FINE CRIMP HEIGHT ADJUST         | PNEUMATIC  |
| 7-2836185-1 | B        | MECHANICAL AND CRIMP TOOLING KIT | MECHANICAL |
| 7-2836185-2 | C        | PNEUMATIC AND CRIMP TOOLING KIT  | PNEUMATIC  |
| 7-2836185-7 | A        | CRIMP TOOLING KIT                | -          |

ATLANTIC VERSION TERMINATOR INTERFACE ADAPTER



| APPLICATOR DATA |                |      |
|-----------------|----------------|------|
| CRIMP           | SIZE           | TYPE |
| WIRE            | 2.79 mm [.110] | F    |
| INSUL           | 3.94 mm [.155] | OV   |

APPLICATOR INSTRUCTIONS  
408-35042

| TERMINAL DATA: TE TERMINAL                      |             | TE CRIMP SPECIFICATION       |             |
|---|-------------|------------------------------|-------------|
| TERMINAL NAME: 6.3mm TAB AND RECEPTACLE CONTACT |             |                              |             |
| WIRE STRIP LENGTH                               |             | INSULATION DIAMETER RANGE    |             |
| 5.10-5.90 mm [.201-.232 IN]                     |             | Ø2.20-3.00 mm [.087-.118 IN] |             |
| TERMINAL APPLICATION SPECIFICATION              | 114-18022   |                              |             |
| TERMINALS APPLIED                               |             |                              |             |
| TE TERMINAL                                     | TE TERMINAL | TE TERMINAL                  | TE TERMINAL |
| 963754-1  | 963893-1    | 963893-2                     |             |

| WIRE SIZE           | CRIMP HEIGHT mm [INCH]         | CRIMP HEIGHT REFERENCE SETTING |
|---------------------|--------------------------------|--------------------------------|
| 2.50mm <sup>2</sup> | 1.87 +/- 0.05 [0.074 +/- .002] | 8.4                            |
| 2.00mm <sup>2</sup> | 1.73 +/- 0.05 [0.068 +/- .002] | 9.9                            |
| 1.50mm <sup>2</sup> | 1.59 +/- 0.05 [0.063 +/- .002] | 11.5                           |

- RECOMMENDED SPARE PARTS
- REFER TO SUPPLIED INSTRUCTION SHEET FOR CLEANING, LUBRICATION AND STORAGE OF APPLICATOR.
- APPLY PART NUMBER 2-23419-6 LOCTITE TO THREADS OF ITEM 242.
- CRIMP HEIGHT REFERENCE SETTING WAS THE SETTING USED WHEN THE APPLICATOR WAS QUALIFIED AT THE FACTORY. ADJUSTMENT MAY BE NECESSARY WHEN RUNNING APPLICATOR IN THE FIELD.
- TERMINAL LUBRICANT IS RECOMMENDED.
- 6. UNLESS SPECIFIED OTHERWISE TORQUE VALUES SHALL BE USED PER DOCUMENT, 101-35000.

**\*WARNING**  
ON INSTALLATION, SET WIRE DISC TO CRIMP HEIGHT REFERENCE SETTING FOR LARGEST WIRE SIZE. CRIMP HEIGHT REFERENCE SETTINGS GREATER THAN THE VALUE SHOWN MAY CAUSE DAMAGE TO THE CRIMP TOOLING, REFER TO THE INSTRUCTION SHEET FOR PROPER SETUP AND ADJUSTMENTS.

ATLANTIC VERSION  
Shown on sheets 1 of 4 & 2 of 4  
(Pacific version shown on sheets 3 of 4 & 4 of 4)

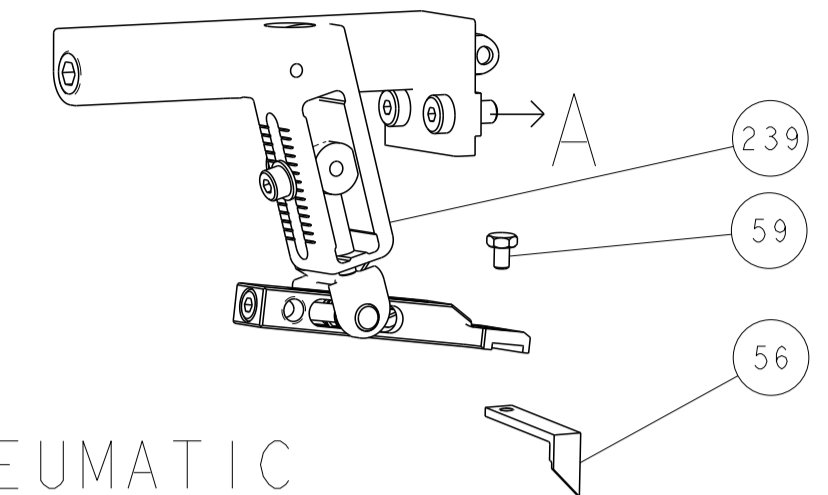
| LOC | DIST | REVISIONS |               |           |      |
|-----|------|-----------|---------------|-----------|------|
| A   | 66   | REV       | DATE          | BY        | CHKD |
|     |      | A         | RELEASED      | 23FEB2016 | KH   |
|     |      | B         | ECR-18-010244 | 02JUL2018 | MZ   |
|     |      | C         | ECR-19-009770 | 23JUN2019 | TB   |

|   |     |     |     |     |             |                                     |                                     |         |
|---|-----|-----|-----|-----|-------------|-------------------------------------|-------------------------------------|---------|
| - | 1   | -   | 1   | -   | 2119641-1   | FEED CAM, AIR FEED                  | 248                                 |         |
| - | 1   | 1   | 1   | 1   | 2119082-7   | CAM, SNAIL, INSULATION ADJUSTMENT   | 244                                 |         |
| - | 1   | 1   | 1   | 1   | 2079764-1   | WASHER, WAVE SPRING, CREST-TO-CREST | 243                                 |         |
| - | 1   | 1   | 1   | 1   | 2119083-1   | RETAINER, INSULATION DIAL           | 242                                 |         |
| - | 1   | 1   | 1   | 1   | 7-18023-7   | SCR, SKT HD CAP M3 X 4.0            | 241                                 |         |
| - | -   | 1   | -   | 1   | 2119580-1   | MECHANICAL FEED ASSEMBLY            | 239                                 |         |
| - | 1   | -   | 1   | -   | 2844940-1   | AIR FEED MODULE                     | 238                                 |         |
| - | REF | REF | REF | REF | 994970-2    | COUNTER, MAGNETIC                   | 164                                 |         |
| - | 1   | 1   | 1   | 1   | 2119955-1   | ASSY, LUBRICATOR, SIDE FEED         | 113                                 |         |
| - | 1   | 1   | 1   | 1   | 2844908-1   | SCREW, LOCKING                      | 99                                  |         |
| - | 1   | 1   | 1   | 1   | 2844907-1   | POST, LOCKING                       | 98                                  |         |
| - | 1   | 1   | 1   | 1   | 455888-9    | SPACER, CRIMPER                     | 82                                  |         |
| - | 1   | 1   | 1   | 1   | 1803607-3   | DOCUMENTATION PACKAGE               | 71                                  |         |
| - | 1   | 1   | 1   | 1   | 2119740-1   | TAG, IDENTIFICATION                 | 67                                  |         |
| - | 2   | 2   | 2   | 2   | 2168078-1   | SCREW, DRIVE, RH, RoHS, 2 x .188    | 66                                  |         |
| - | 1   | 1   | 1   | 1   | 2168083-2   | SCR, SKT HD CAP, RoHS, M4 X 8.0     | 60                                  |         |
| - | 1   | 1   | 1   | 1   | 5-18022-5   | SCR, HEX HD CAP, M4 X 6.0           | 59                                  |         |
| - | 1   | 1   | 1   | 1   | 1338683-8   | FEED PAWL                           | 56                                  |         |
| - | 4   | 4   | 4   | 4   | 2168083-3   | SCR, SKT HD CAP, RoHS, M4 X 12.0    | 54                                  |         |
| - | 2   | 2   | 2   | 2   | 2168083-8   | SCR, SKT HD CAP, RoHS, M4 X 16      | 53                                  |         |
| - | 1   | 1   | 1   | 1   | 5018030-1   | NUT, HEX, REG, RoHS, M3             | 52                                  |         |
| - | 1   | 1   | 1   | 1   | 811242-5    | BUMPER, HOLD DOWN                   | 51                                  |         |
| - | 1   | 1   | 1   | 1   | 690753-2    | SPACER, TONKER                      | 50                                  |         |
| - | 1   | 2   | 1   | 2   | 18023-9     | SCR, SKT HD CAP M4 X 6.0            | 49                                  |         |
| - | -   | 1   | -   | 1   | 2119652-1   | FEED CAM, PRE FEED                  | 48                                  |         |
| - | -   | 1   | -   | 1   | 2119653-1   | FEED CAM, POST FEED                 | 47                                  |         |
| - | 1   | 1   | 1   | 1   | 1803583-9   | APPLICATOR BASIC ASSEMBLY, SF       | 46                                  |         |
| - | 1   | 1   | 1   | 1   | 1803515-1   | RAM ASSEMBLY, SF ATLANTIC           | 44                                  |         |
| - | 1   | 1   | 1   | 1   | 1803602-1   | SCR, BHSC, RoHS (M8 X 25)           | 41                                  |         |
| - | 1   | 1   | 1   | 1   | 1752356-9   | SUPPORT, TERMINAL                   | 34                                  |         |
| - | 2   | 2   | 2   | 2   | 2079383-5   | SCR, BHSC, RoHS (M4 X 20)           | 33                                  |         |
| - | 2   | 2   | 2   | 2   | 2-2844962-8 | SPACER, CYLINDRICAL, STRIP GUIDE    | 30                                  |         |
| - | 1   | 1   | 1   | 1   | 2844992-2   | ASSEMBLY, STRIP GUIDE               | 29                                  |         |
| - | 1   | 1   | 1   | 1   | 455888-3    | SPACER, CRIMPER                     | 28                                  |         |
| - | 1   | 1   | 1   | 1   | 1320928-4   | STRIP GUIDE                         | 24                                  |         |
| - | 1   | 1   | 1   | 1   | 2168083-2   | SCR, SKT HD CAP, RoHS, M4 X 8.0     | 21                                  |         |
| - | 2   | 2   | 2   | 2   | 1-18028-2   | WASHER, FLAT, REG M4                | 20                                  |         |
| - | 1   | 1   | 1   | 1   | 2119533-1   | STRIPPER, SIDE FEED                 | 19                                  |         |
| - | 1   | 1   | 1   | 1   | 2119806-1   | INSERT, SHEAR                       | 13                                  |         |
| - | 1   | 1   | 1   | 1   | 3-22280-3   | SPRING, COMPRESSION                 | 12                                  |         |
| - | 1   | 1   | 1   | 1   | 1-356885-4  | STOP, SHEAR                         | 11                                  |         |
| - | 1   | 1   | 1   | 1   | 2119805-1   | SHEAR HOLDER, FRONT                 | 10                                  |         |
| - | 1   | 1   | 1   | 1   | 1803095-5   | FLOATING SHEAR, FRONT               | 9                                   |         |
| - | 1   | 2   | 2   | 1   | 1           | 2-1633923-8                         | ANVIL, COMBINATION                  | 8       |
| - | 1   | 1   | 1   | 1   | 240641-1    | SPACER                              | 7                                   |         |
| - | -   | -   | -   | -   | -           | -                                   | 6                                   |         |
| - | 1   | 1   | 1   | 1   | 2119757-8   | DEPRESSOR, SHEAR                    | 5                                   |         |
| - | 1   | 1   | 1   | 1   | 238011-4    | BLOCK, CRIMPER SPACER               | 4                                   |         |
| - | 1   | 2   | 2   | 1   | 1           | 2-2119785-9                         | CRIMPER, INSULATION OVERLAP PREMIUM | 3       |
| - | 1   | 1   | 1   | 1   | 455888-4    | SPACER, CRIMPER                     | 2                                   |         |
| - | 1   | 2   | 2   | 1   | 1           | 2-456408-8                          | CRIMPER, WIRE PREMIUM               | 1       |
| - | 77  | -72 | -71 | -2  | -1          | PART NO                             | DESCRIPTION                         | ITEM NO |

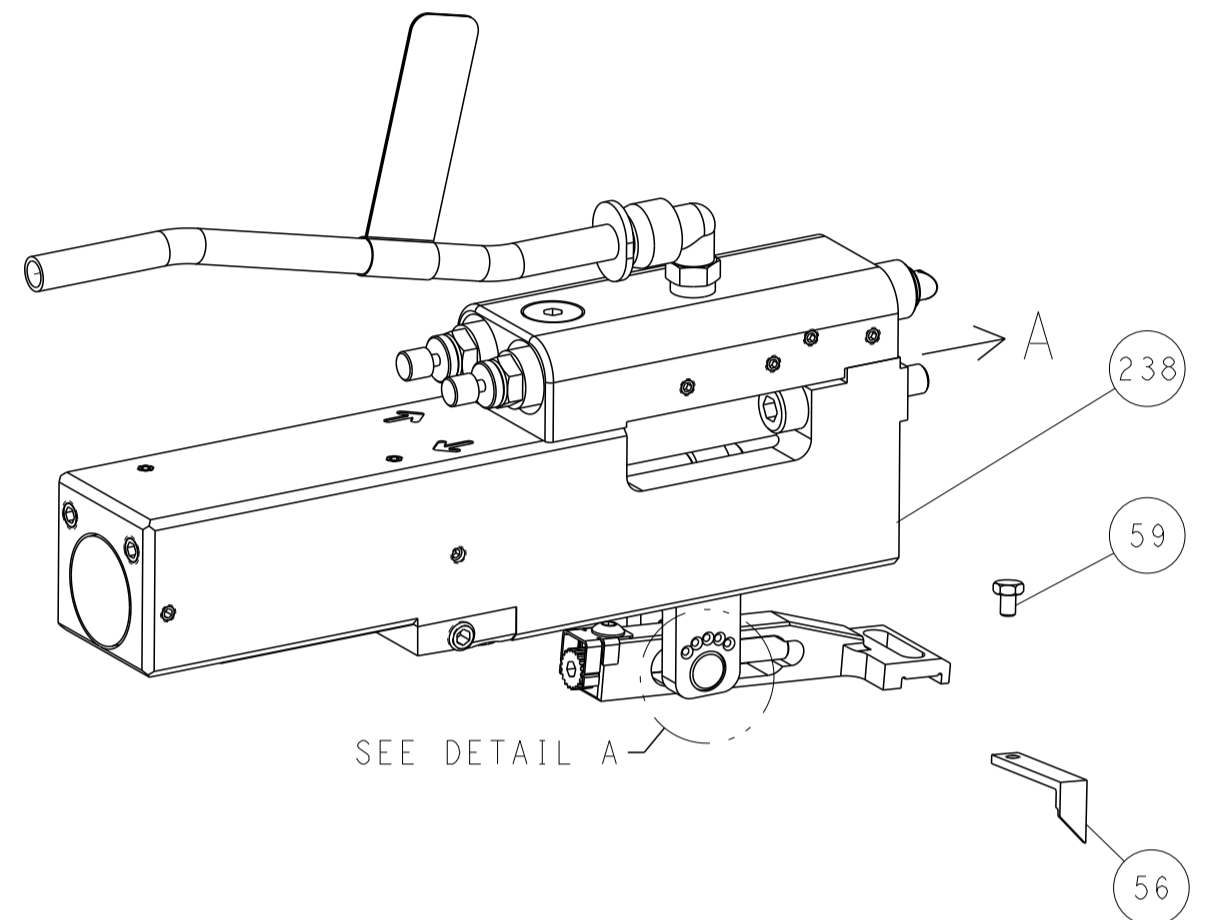
|  |  |   |  |  |  |   |  |
|--|--|---|--|--|--|---|--|
| DIMENSIONS:<br>                        |  | TOLERANCES UNLESS OTHERWISE SPECIFIED:<br>0 PLC ±<br>1 PLC ±<br>2 PLC ±<br>3 PLC ±<br>4 PLC ±<br>ANGLES ±<br>FINISH |  | DWN: HOFFNER 26JAN2016<br>CHK: T. ELBIN 27JAN2016<br>APVD: T. ELBIN 27JAN2016<br>PRODUCT SPEC<br>APPLICATION SPEC<br>MATERIAL: |  | TE Connectivity<br>Harrisburg, PA 17105-3608<br>NAME: Ocean Side Feed Applicator<br>SIZE: A1<br>CAGE CODE: 00779<br>DRAWING NO: 2836185<br>RESTRICTED TO: |  |
| Customer Accessible Production Drawing |  |   |  | SCALE: 1:2   |  | SHEET 1 OF 4 REV C  |  |

| LOC | DIST | REVISIONS |     |             |      |     |      |
|-----|------|-----------|-----|-------------|------|-----|------|
| A   | 66   | P         | LTN | DESCRIPTION | DATE | OWN | APVD |
|     |      | -         |     | SEE SHEET 1 | -    | -   | -    |

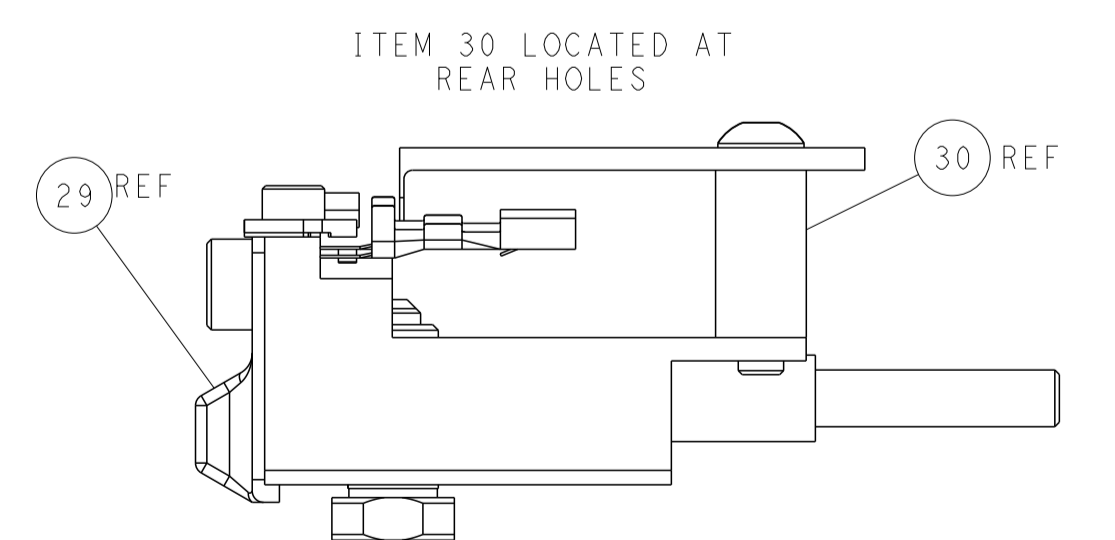
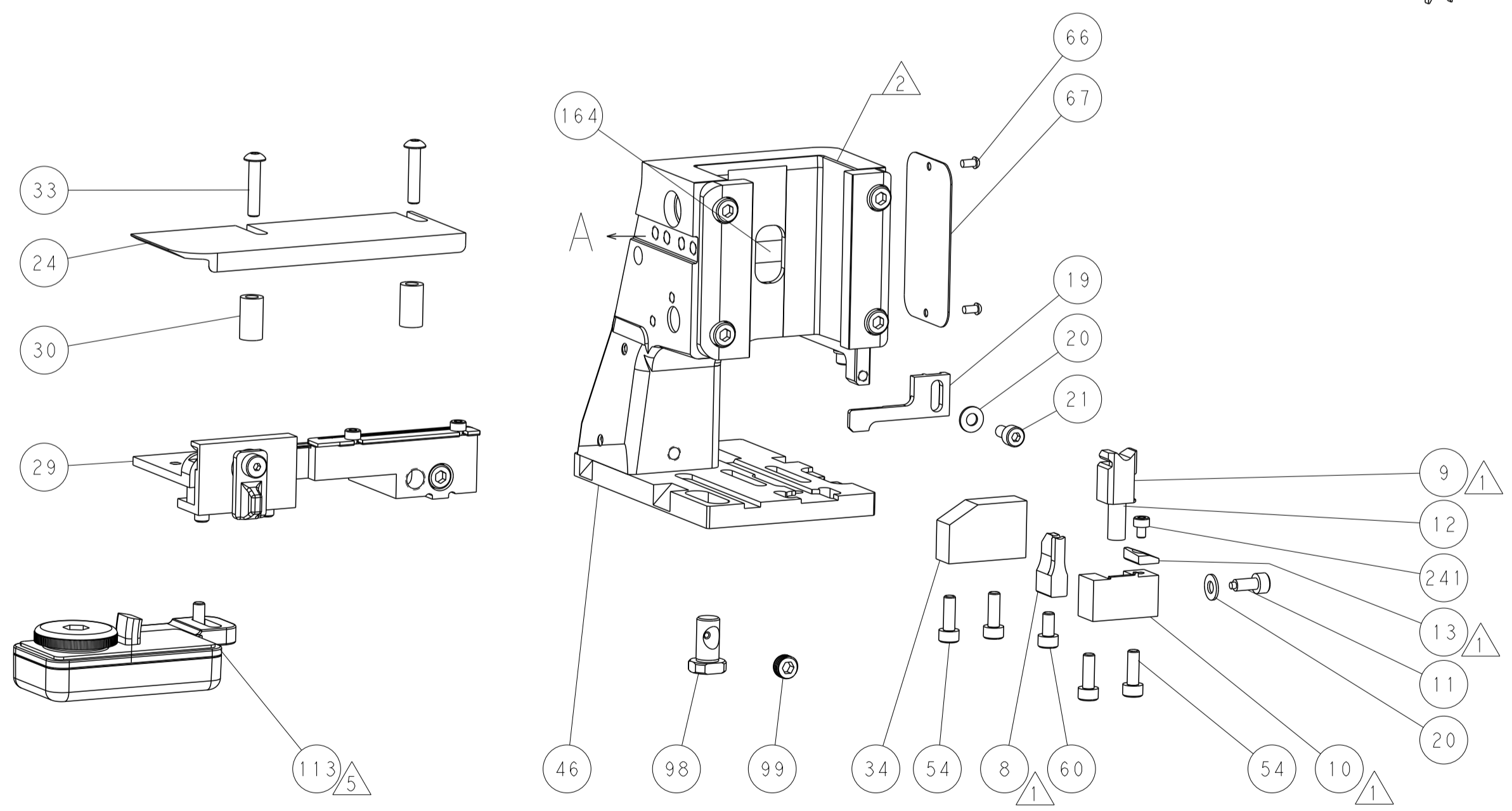
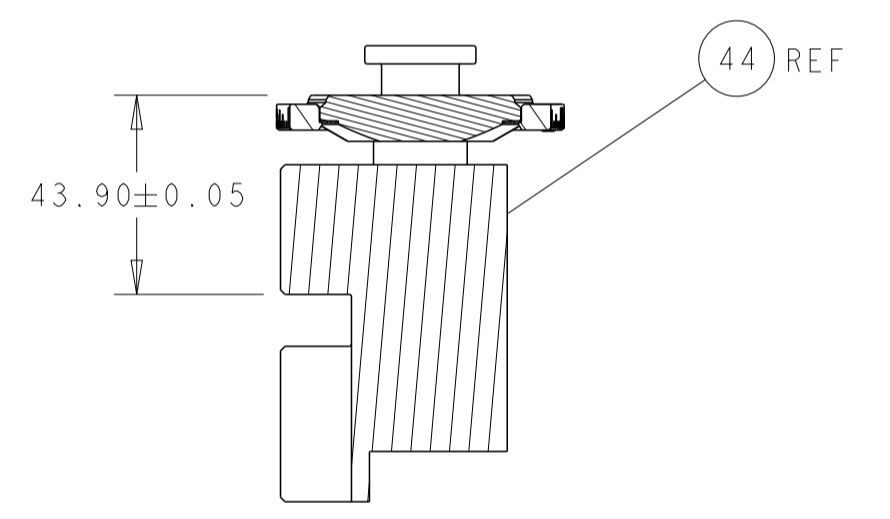
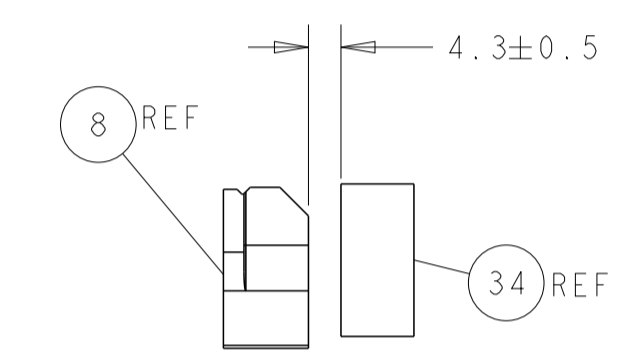
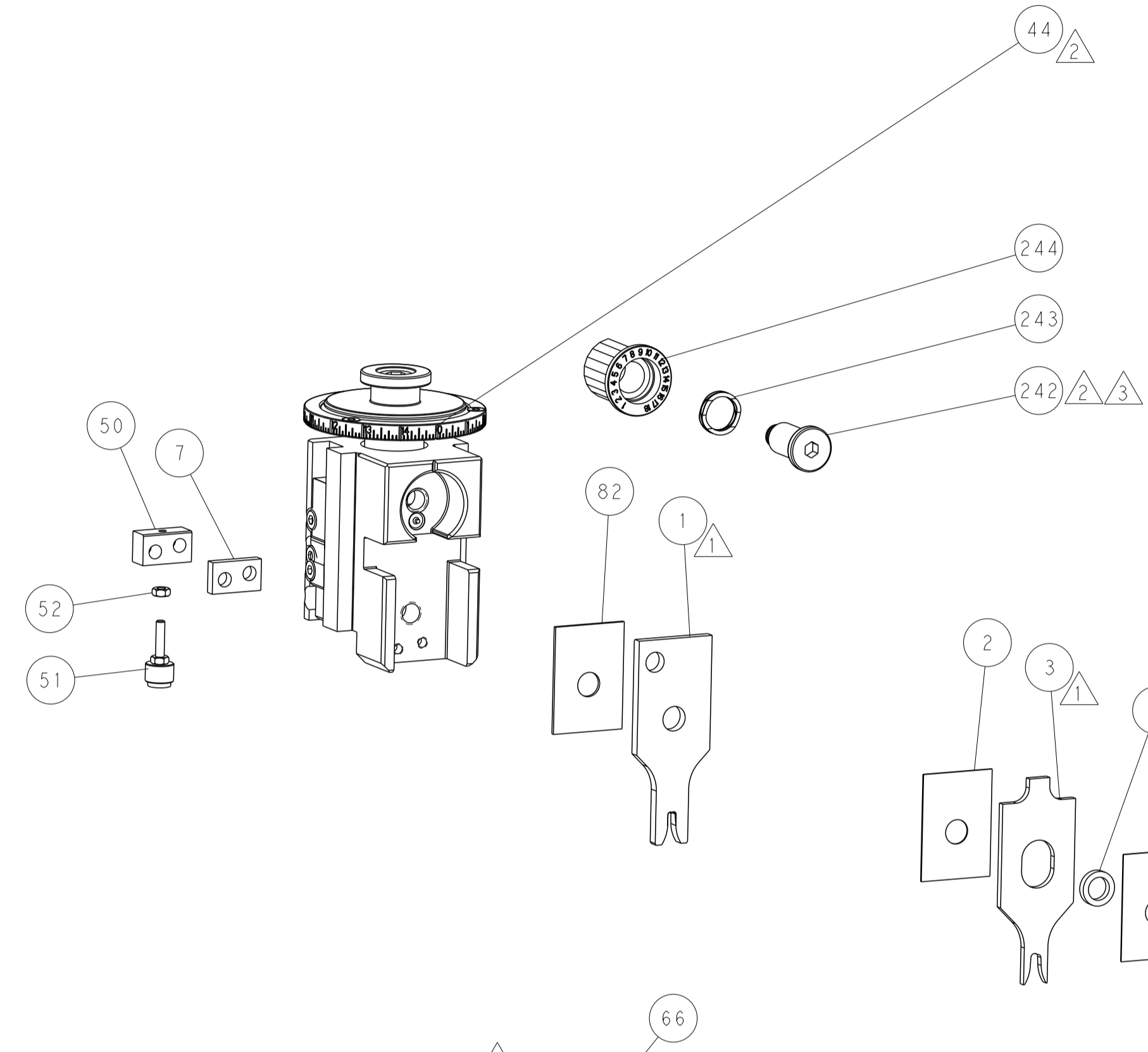
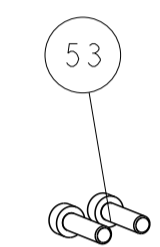
# FEED TYPE MECHANICAL



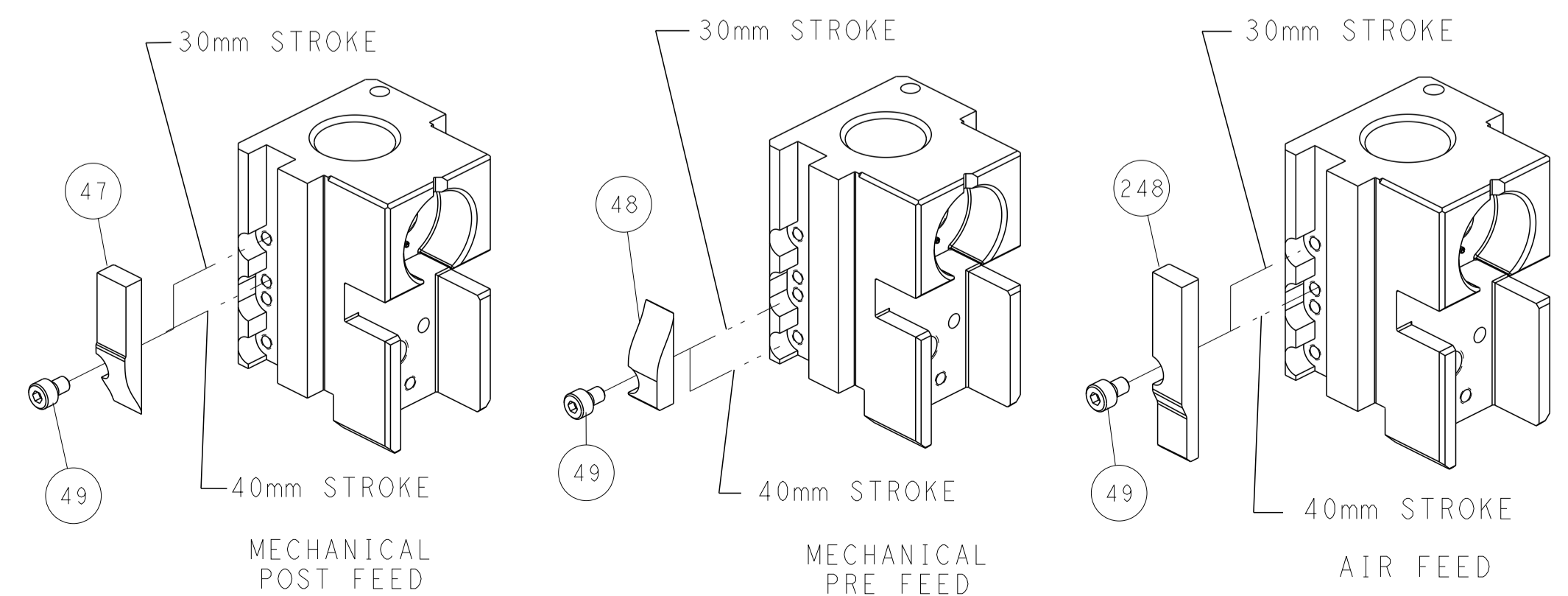
## PNEUMATIC



## FEED SPRING SETTING POSITION (SHOWN FROM REAR SIDE)



# CAM POSITIONS



**ATLANTIC VERSION**  
 Shown on sheets 1 of 4 & 2 of 4  
 (Pacific version shown on sheets 3 of 4 & 4 of 4)

|  |  |   |  |
|--|--|---|--|
| <small>THIS IS DRAWING IS CONTROLLED DOCUMENT FOR THE ELECTRONICS CORPORATION<br/>                 IT IS SUBJECT TO CHANGE WITHOUT NOTICE AND INSISTING ORGANIZATION<br/>                 SHOULD BE CONTACTED FOR THE LATEST POSITION.</small> |  | DWN: HOFFNER 26JAN2016<br>CHK: T. ELBIN 27JAN2016<br>APVD: T. ELBIN 27JAN2016     | TE Connectivity<br>Harrisburg, PA 17105-3608   |
| DIMENSIONS:<br>mm<br>0 PLC ±<br>1 PLC ±<br>2 PLC ±<br>3 PLC ±<br>4 PLC ±<br>ANGLES ±<br>FINISH   | TOLERANCES UNLESS OTHERWISE SPECIFIED:<br>±<br>±<br>±<br>±<br>±<br>± | NAME: Ocean Side Feed Applicator<br>PRODUCT SPEC:<br>APPLICATION SPEC:<br>WEIGHT: | SIZE: A1<br>CAGE CODE: 00779<br>DRAWING NO: C=2836185<br>SCALE: 1:2<br>SHEET: 2 OF 4<br>REV: C |
| MATERIAL:  |  | Customer Accessible Production Drawing  |  |

| PART NUMBER | REVISION | DESCRIPTION              | FEED TYPE  |
|-------------|----------|--------------------------|------------|
| 2-2836185-1 | B        | FINE CRIMP HEIGHT ADJUST | MECHANICAL |
| 2-2836185-2 | C        | FINE CRIMP HEIGHT ADJUST | PNEUMATIC  |
| 7-2836185-7 | A        | CRIMP TOOLING KIT        | -          |

PACIFIC VERSION TERMINATOR  
INTERFACE ADAPTER



| APPLICATOR DATA |                |      |
|-----------------|----------------|------|
| CRIMP           | SIZE           | TYPE |
| WIRE            | 2.79 mm [.110] | F    |
| INSUL           | 3.94 mm [.155] | OV   |

APPLICATOR INSTRUCTIONS  
408-35042

| TERMINAL DATA: TE TERMINAL                      |             | TE CRIMP SPECIFICATION        |             |
|---|-------------|-------------------------------|-------------|
| TERMINAL NAME: 6.3mm TAB AND RECEPTACLE CONTACT |             |                               |             |
| WIRE STRIP LENGTH                               |             | INSULATION DIAMETER RANGE     |             |
| 5.10-5.90 mm [1.201-.232 IN]                    |             | Ø2.20-3.00 mm [1.087-.118 IN] |             |
| TERMINAL APPLICATION SPECIFICATION              |             | 114-18022                     |             |
| TERMINALS APPLIED                               |             |                               |             |
| TE TERMINAL                                     | TE TERMINAL | TE TERMINAL                   | TE TERMINAL |
| 963754-1  | 963893-1    | 963893-2                      |             |

| WIRE SIZE | CRIMP HEIGHT mm [INCH]      | CRIMP HEIGHT REFERENCE SETTING |
|-----------|-----------------------------|--------------------------------|
| 2.50mm2   | 1.87+/-0.05 [1.074+/-0.002] | 8.4                            |
| 2.00mm2   | 1.73+/-0.05 [1.068+/-0.002] | 9.9                            |
| 1.50mm2   | 1.59+/-0.05 [1.063+/-0.002] | 11.5                           |



- 1 RECOMMENDED SPARE PARTS
- 2 REFER TO SUPPLIED INSTRUCTION SHEET FOR CLEANING, LUBRICATION AND STORAGE OF APPLICATOR.
- 3 APPLY PART NUMBER 2-23419-6 LOCTITE TO THREADS OF ITEM 242.
- 4 CRIMP HEIGHT REFERENCE SETTING WAS THE SETTING USED WHEN THE APPLICATOR WAS QUALIFIED AT THE FACTORY. ADJUSTMENT MAY BE NECESSARY WHEN RUNNING APPLICATOR IN THE FIELD.
- 5 TERMINAL LUBRICANT IS RECOMMENDED.
- 6. UNLESS SPECIFIED OTHERWISE TORQUE VALUES SHALL BE USED PER DOCUMENT, 101-35000.

**\*WARNING**  
ON INSTALLATION, SET WIRE DISC TO CRIMP HEIGHT REFERENCE SETTING FOR LARGEST WIRE SIZE. CRIMP HEIGHT REFERENCE SETTINGS GREATER THAN THE VALUE SHOWN MAY CAUSE DAMAGE TO THE CRIMP TOOLING, REFER TO THE INSTRUCTION SHEET FOR PROPER SETUP AND ADJUSTMENTS.

| LOC | DIST | REVISIONS   |      |     |      |
|-----|------|-------------|------|-----|------|
| P   | LTN  | DESCRIPTION | DATE | OWN | APVD |
| A   | 66   | SEE SHEET 1 |      |     |      |

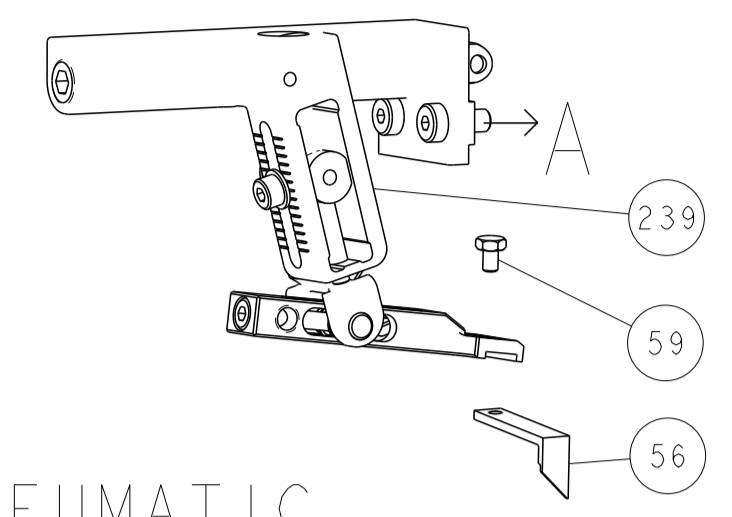
|     |     |     |             |                                     |                                     |     |
|-----|-----|-----|-------------|-------------------------------------|-------------------------------------|-----|
| -   | 1   | 1   | 2119082-7   | CAM, SNAIL, INSULATION ADJUSTMENT   | 244                                 |     |
| -   | 1   | 1   | 2079764-1   | WASHER, WAVE SPRING, CREST-TO-CREST | 243                                 |     |
| 3   | -   | 1   | 1           | 2119083-1                           | RETAINER, INSULATION DIAL           | 242 |
| -   | 1   | 1   | 7-18023-7   | SCR, SKT HD CAP M3 X 4.0            | 241                                 |     |
| -   | -   | 1   | 1           | 2119580-1                           | MECHANICAL FEED ASSEMBLY            | 239 |
| -   | 1   | -   | 2844940-1   | AIR FEED MODULE                     | 238                                 |     |
| -   | REF | REF | 994970-2    | COUNTER, MAGNETIC                   | 164                                 |     |
| -   | 1   | -   | 2119641-2   | FEED CAM, AIR FEED                  | 151                                 |     |
| -   | 1   | 1   | 2168083-8   | SCR, SKT HD CAP, RoHS, M4 X 16      | 144                                 |     |
| -   | 4   | 4   | 2168083-9   | SCR, SKT HD CAP, RoHS, M4 X 20      | 143                                 |     |
| -   | -   | 1   | 1           | 2119653-2                           | FEED CAM, POST FEED                 | 142 |
| -   | 1   | 1   | 1-1803583-0 | APPLICATOR BASIC ASSEMBLY, SF       | 141                                 |     |
| -   | 1   | 1   | 1803516-1   | RAM ASSEMBLY, SF PACIFIC            | 140                                 |     |
| 5   | -   | 1   | 1           | 2119955-1                           | ASSY, LUBRICATOR, SIDE FEED         | 113 |
| -   | 1   | 1   | 2844908-1   | SCREW, LOCKING                      | 99                                  |     |
| -   | 1   | 1   | 2844907-1   | POST, LOCKING                       | 98                                  |     |
| -   | 1   | 1   | 455888-9    | SPACER, CRIMPER                     | 82                                  |     |
| -   | 1   | 1   | 1803607-3   | DOCUMENTATION PACKAGE               | 71                                  |     |
| -   | 1   | 1   | 2119740-1   | TAG, IDENTIFICATION                 | 67                                  |     |
| -   | 2   | 2   | 2168078-1   | SCREW, DRIVE, RH, RoHS, 2 x .188    | 66                                  |     |
| -   | 1   | 1   | 5-18022-5   | SCR, HEX HD CAP, M4 X 6.0           | 59                                  |     |
| -   | 1   | 1   | 1338683-8   | FEED PAWL                           | 56                                  |     |
| -   | 2   | 2   | 2168083-8   | SCR, SKT HD CAP, RoHS, M4 X 16      | 53                                  |     |
| -   | 1   | 1   | 5018030-1   | NUT, HEX, REG, RoHS, M3             | 52                                  |     |
| -   | 1   | 1   | 811242-5    | BUMPER, HOLD DOWN                   | 51                                  |     |
| -   | 1   | 1   | 690753-2    | SPACER, TONKER                      | 50                                  |     |
| -   | 1   | 2   | 18023-9     | SCR, SKT HD CAP M4 X 6.0            | 49                                  |     |
| -   | -   | 1   | 1           | 2119652-1                           | FEED CAM, PRE FEED                  | 48  |
| -   | 1   | 1   | 1803602-1   | SCR, BHSC, RoHS (M8 X 25)           | 41                                  |     |
| -   | 1   | 1   | 1752356-9   | SUPPORT, TERMINAL                   | 34                                  |     |
| -   | 2   | 2   | 2079383-5   | SCR, BHSC, RoHS (M4 X 20)           | 33                                  |     |
| -   | 2   | 2   | 2-2844962-8 | SPACER, CYLINDRICAL, STRIP GUIDE    | 30                                  |     |
| -   | 1   | 1   | 2844992-2   | ASSEMBLY, STRIP GUIDE               | 29                                  |     |
| -   | 1   | 1   | 455888-3    | SPACER, CRIMPER                     | 28                                  |     |
| -   | 1   | 1   | 1320928-4   | STRIP GUIDE                         | 24                                  |     |
| -   | 1   | 1   | 2168083-2   | SCR, SKT HD CAP, RoHS, M4 X 8.0     | 21                                  |     |
| -   | 2   | 2   | 1-18028-2   | WASHER, FLAT, REG M4                | 20                                  |     |
| -   | 1   | 1   | 2119533-1   | STRIPPER, SIDE FEED                 | 19                                  |     |
| 1   | -   | 1   | 1           | 2119806-1                           | INSERT, SHEAR                       | 13  |
| -   | 1   | 1   | 3-22280-3   | SPRING, COMPRESSION                 | 12                                  |     |
| -   | 1   | 1   | 1-356885-4  | STOP, SHEAR                         | 11                                  |     |
| 1   | -   | 1   | 1           | 2119805-1                           | SHEAR HOLDER, FRONT                 | 10  |
| 1   | -   | 1   | 1           | 1803095-5                           | FLOATING SHEAR, FRONT               | 9   |
| 1   | 1   | 1   | 1           | 2-1633923-8                         | ANVIL, COMBINATION                  | 8   |
| -   | 1   | 1   | 1           | 240641-1                            | SPACER                              | 7   |
| -   | -   | -   | -           | -                                   | 6                                   |     |
| -   | 1   | 1   | 1           | 2119757-8                           | DEPRESSOR, SHEAR                    | 5   |
| -   | 1   | 1   | 1           | 238011-4                            | BLOCK, CRIMPER SPACER               | 4   |
| 1   | 1   | 1   | 1           | 2-2119785-9                         | CRIMPER, INSULATION OVERLAP PREMIUM | 3   |
| -   | 1   | 1   | 1           | 455888-4                            | SPACER, CRIMPER                     | 2   |
| 1   | 1   | 1   | 1           | 2-456408-8                          | CRIMPER, WIRE PREMIUM               | 1   |
| -77 | -22 | -21 | PART NO     | DESCRIPTION                         | ITEM NO                             |     |

PACIFIC VERSION  
Shown on sheets 3 of 4 & 4 of 4  
(Atlantic version shown on sheets 1 of 4 & 2 of 4)

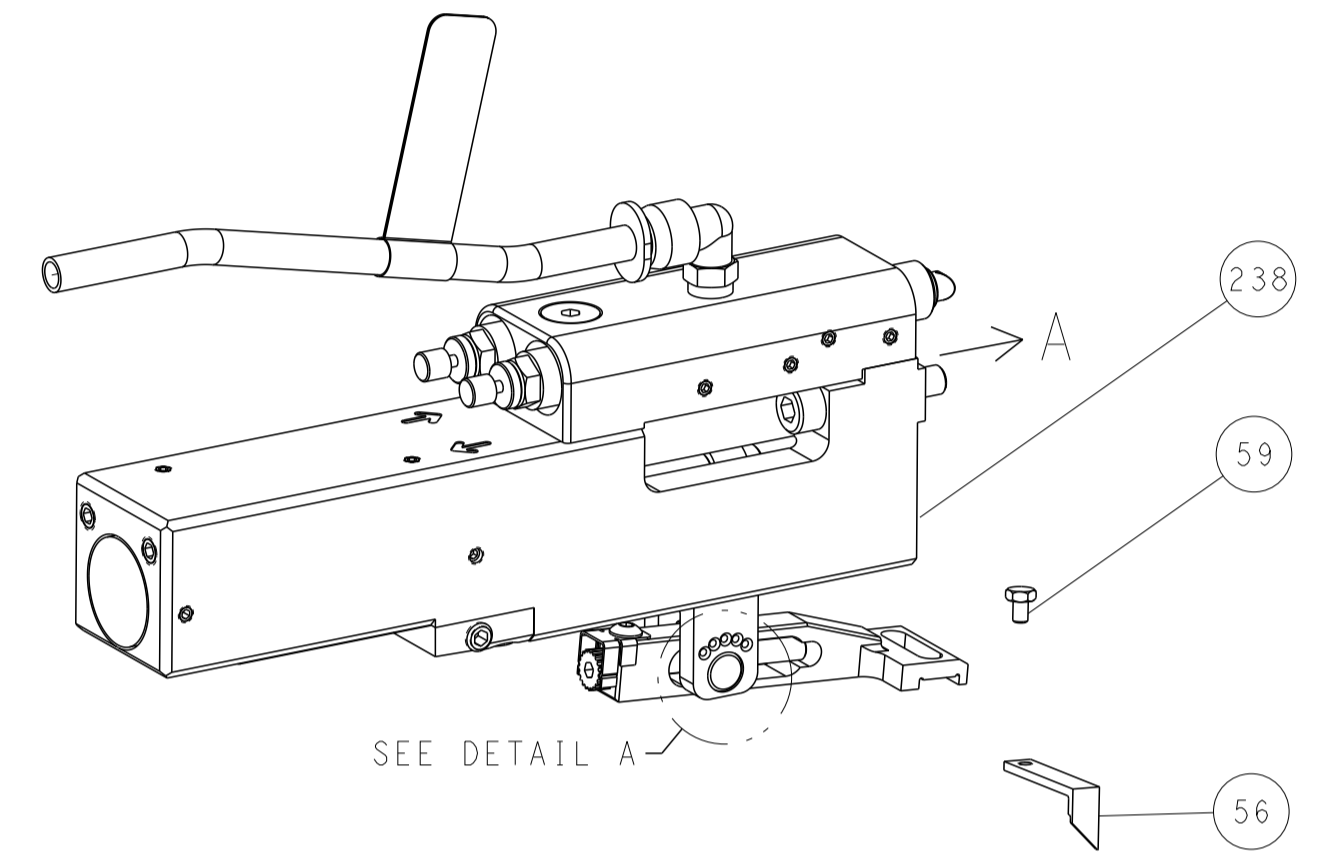
|             |  |  |  |                         |  |  |  |
|-------------|--|--|--|-------------------------|--|--|--|
| DIMENSIONS: |  | TOLERANCES UNLESS OTHERWISE SPECIFIED: |  | DWG: HOFFNER 26JAN2016  |  | TE Connectivity<br>Harrisburg, PA 17105-3608 |  |
| mm          |  | 0 PLC ±                                |  | CHK: T.ELBIN 27JAN2016  |  | NAME: Ocean Side Feed Applicator             |  |
| Ø           |  | 1 PLC ±                                |  | APVD: T.ELBIN 27JAN2016 |  | SIZE: CAGE CODE: DRAWING NO: RESTRICTED TO   |  |
| H           |  | 2 PLC ±                                |  | PRODUCT SPEC            |  | A1 00779 C=2836185                           |  |
| D           |  | 3 PLC ±                                |  | APPLICATION SPEC        |  | SCALE: 1:2 SHEET 3 OF 4 REV C                |  |
| R           |  | 4 PLC ±                                |  | WEIGHT                  |  | Customer Accessible Production Drawing       |  |
| ANGLES      |  | FINISH                                 |  | MATERIAL                |  | Customer Accessible Production Drawing       |  |

| LOC | DIST | REVISIONS |     |             |      |     |      |
|-----|------|-----------|-----|-------------|------|-----|------|
| A   | 66   | P         | LTN | DESCRIPTION | DATE | OWN | APVD |
| -   | -    | -         | -   | SEE SHEET 1 | -    | -   | -    |

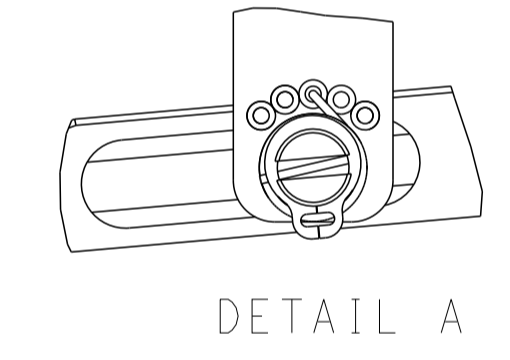
# FEED TYPE MECHANICAL



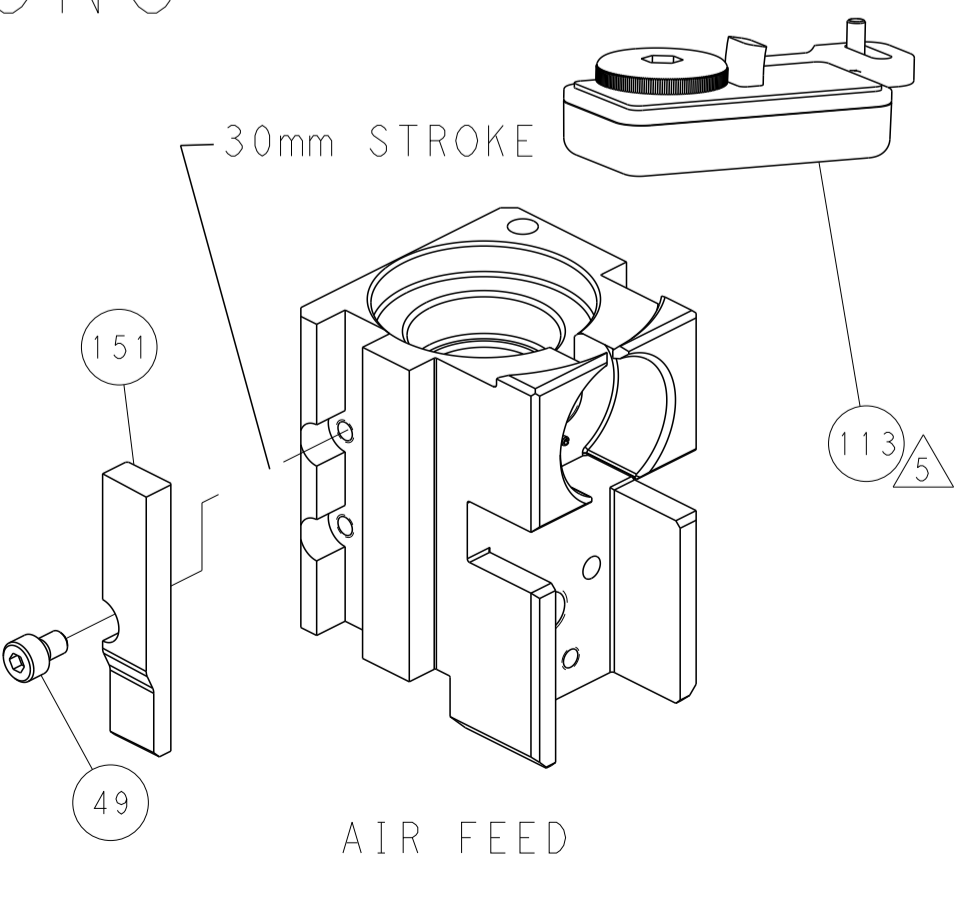
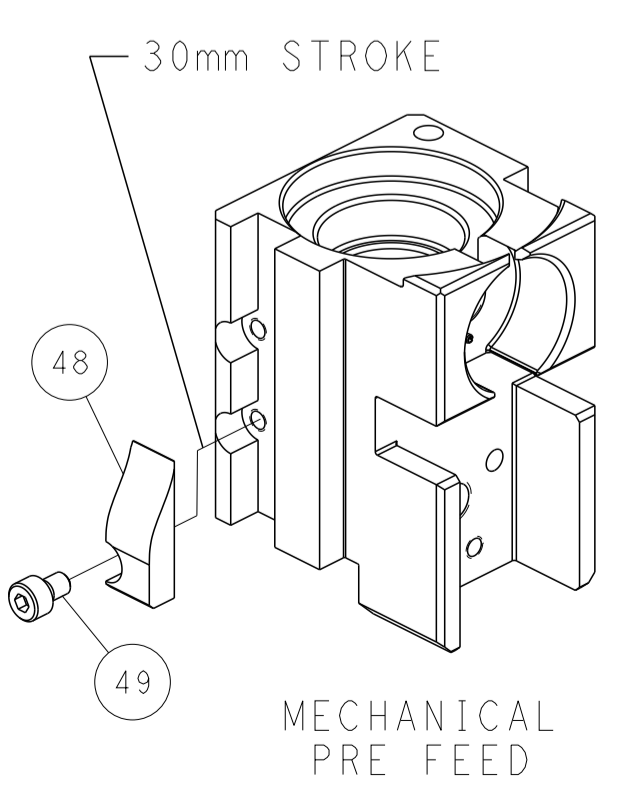
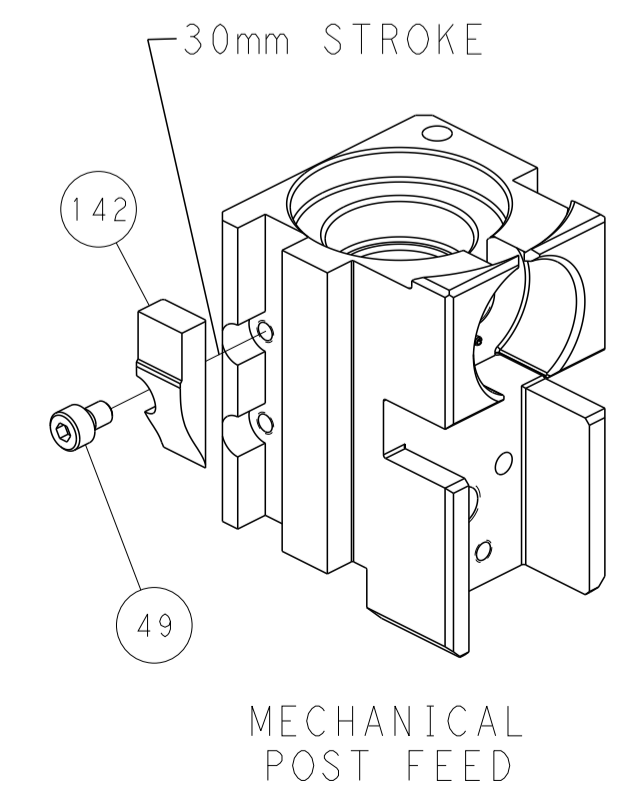
## PNEUMATIC



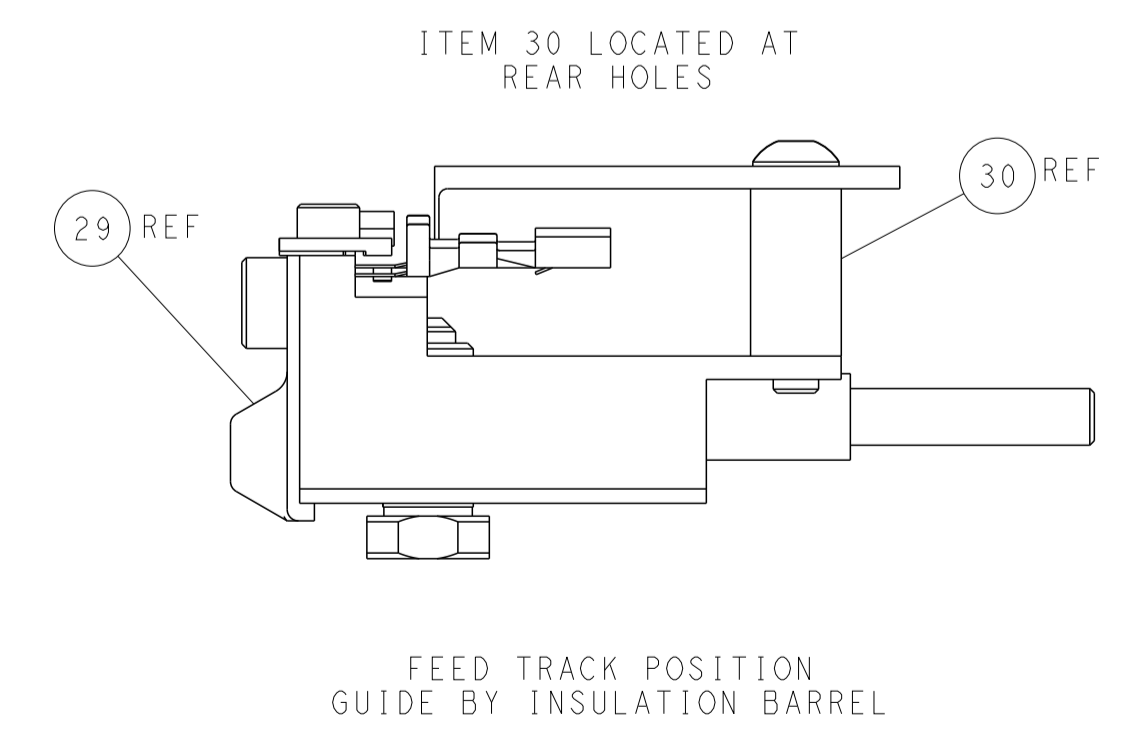
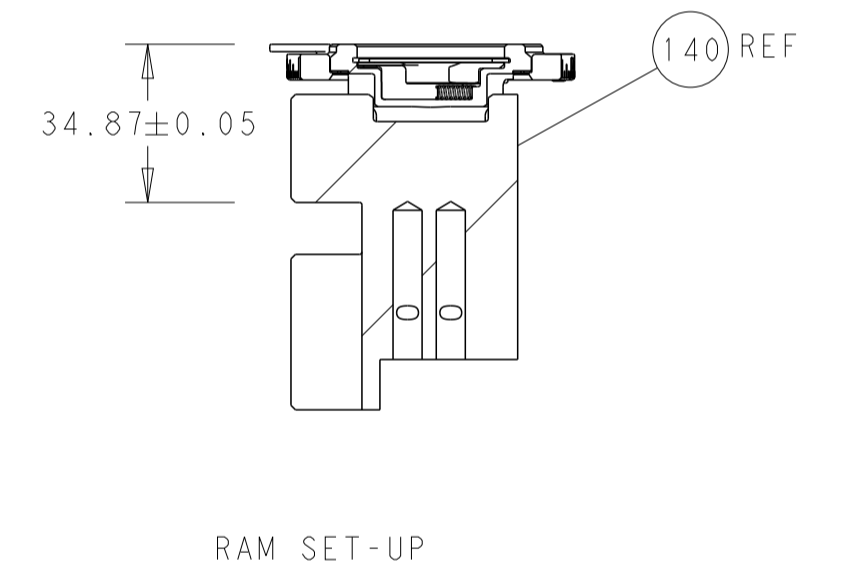
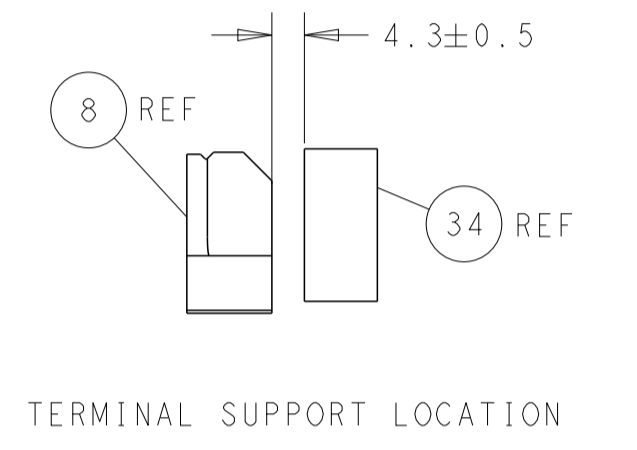
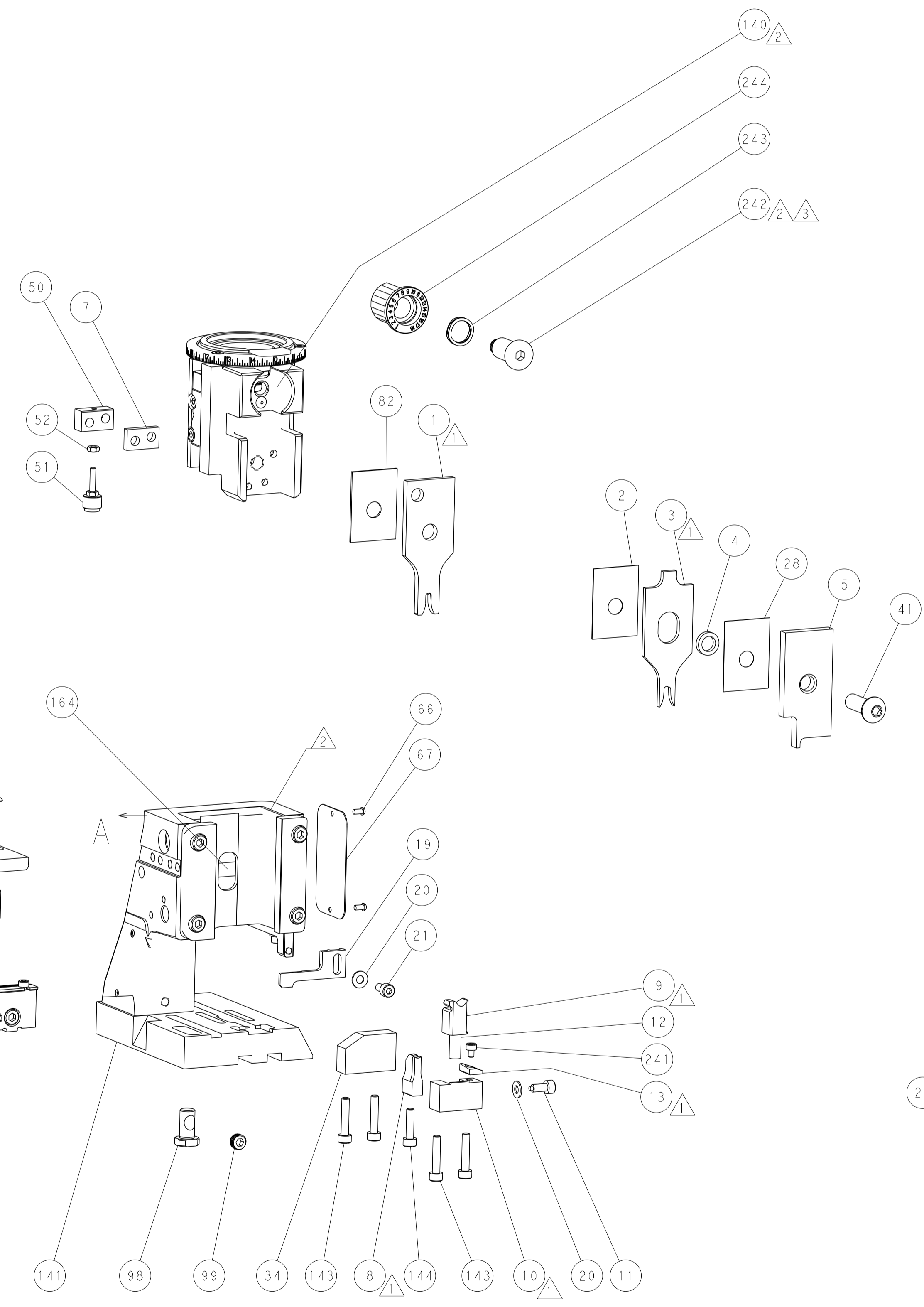
## FEED SPRING SETTING POSITION (SHOWN FROM REAR SIDE)



## CAM POSITIONS



**PACIFIC VERSION**  
 Shown on sheets 3 of 4 & 4 of 4  
 (Atlantic version shown on sheets 1 of 4 & 2 of 4)



|  |  |   |   |
|--|--|---|---|
| <small>THIS DRAWING IS UNPUBLISHED. RELEASED FOR PUBLICATION. IT IS THE PROPERTY OF TYCO ELECTRONICS CORPORATION. IT IS TO BE USED ONLY FOR THE PURPOSES SPECIFIED. IT IS TO BE RETURNED TO TYCO ELECTRONICS CORPORATION IF IT IS NOT USED FOR THE PURPOSES SPECIFIED. IT IS TO BE DESTROYED IF IT IS NOT USED FOR THE PURPOSES SPECIFIED.</small> |  | DWN: HOFFNER 26JAN2016<br>CHK: T. ELBIN 27JAN2016<br>APVD: T. ELBIN 27JAN2016   | TE Connectivity<br>Harrisburg, PA 17105-3608                  |
| DIMENSIONS: mm<br>TOLERANCES UNLESS OTHERWISE SPECIFIED:<br>0 PLC ±.<br>1 PLC ±.<br>2 PLC ±.<br>3 PLC ±.<br>4 PLC ±.<br>ANGLES FINISH ±.<br>MATERIAL: .<br>FINISH: .   |  | NAME: Ocean Side Feed Applicator<br>APPLICATION SPEC: .<br>PRODUCT SPEC: .<br>SIZE: A1<br>CAGE CODE: 00779<br>DRAWING NO: C=2836185 | RESTRICTED TO: .<br>SCALE: 1:2<br>SHEET: 4<br>OF: 4<br>REV: C |