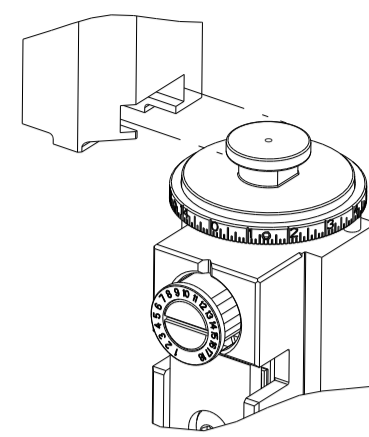


PART NUMBER	REVISION	DESCRIPTION	FEED TYPE
2836135-2	E	FINE CRIMP HEIGHT ADJUST	PNEUMATIC
7-2836135-2	E	PNEUMATIC AND CRIMP TOOLING KIT	PNEUMATIC
7-2836135-7	E	CRIMP TOOLING KIT	-

ATLANTIC VERSION TERMINATOR INTERFACE ADAPTER

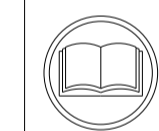


APPLICATOR DATA		
CRIMP	SIZE	TYPE
WIRE	0.84 mm [.033]	F
INSUL	1.45 mm [.057]	O

APPLICATOR INSTRUCTIONS 408-35042

TERMINAL DATA: TE TERMINAL		TE CRIMP SPECIFICATION	
TERMINAL NAME: MOD V RECEPTACLE CRIMP SNAP-IN			
WIRE STRIP LENGTH		INSULATION DIAMETER RANGE	
2.77-4.37 mm [.109-.172 IN]		Ø0.51-1.02 mm [.020-.040 IN]	
TERMINAL APPLICATION SPECIFICATION	114-25003		
TERMINALS APPLIED			
TE TERMINAL	TE TERMINAL	TE TERMINAL	TE TERMINAL
102316-2	102316-5	102316-6	102316-8
5-102316-6	5-102316-8	102917-1	102917-5
1-102917-1	102918-1	102920-1	5-102918-1
103455-1	5-102920-1		

WIRE SIZE	CRIMP HEIGHT mm [INCH]	CRIMP HEIGHT REFERENCE SETTING
27 OR 28 AWG	0.56+/-0.05 [.022+/- .002]	8.1
30 OR 32 AWG	0.55+/-0.065 [.021+/- .003]	8.2



- RECOMMENDED SPARE PARTS
 - REFER TO SUPPLIED INSTRUCTION SHEET FOR CLEANING, LUBRICATION AND STORAGE OF APPLICATOR.
 - APPLY PART NUMBER 2-23419-6 LOCTITE TO THREADS OF ITEM 242.
 - CRIMP HEIGHT REFERENCE SETTING WAS THE SETTING USED WHEN THE APPLICATOR WAS QUALIFIED AT THE FACTORY. ADJUSTMENT MAY BE NECESSARY WHEN RUNNING APPLICATOR IN THE FIELD.
 - TERMINAL PITCH NOT COMPATIBLE WITH MECHANICAL FEED.
 - TERMINAL LUBRICANT IS RECOMMENDED.
7. UNLESS SPECIFIED OTHERWISE TORQUE VALUES SHALL BE USED PER DOCUMENT, 101-35000.

***WARNING**
ON INSTALLATION, SET WIRE DISC TO CRIMP HEIGHT REFERENCE SETTING FOR LARGEST WIRE SIZE. CRIMP HEIGHT REFERENCE SETTINGS GREATER THAN THE VALUE SHOWN MAY CAUSE DAMAGE TO THE CRIMP TOOLING, REFER TO THE INSTRUCTION SHEET FOR PROPER SETUP AND ADJUSTMENTS.

LOC	DIST	REVISIONS			
A	66	REV	DATE	BY	CHK
		B	23FEB2017	KH	CT
		C	30MAY2018	YY	JDG
		D	21MAY2020	FJ	TE
		E	03AUG2022	FZ	TE

	-	1	1	2280441-1	INSERT, SHEAR	282
	-	1	1	2119641-1	FEED CAM, AIR FEED	248
	-	1	1	2119082-5	CAM, SNAIL, INSULATION ADJUSTMENT	244
	-	1	1	2079764-1	WASHER, WAVE SPRING, CREST-TO-CREST	243
	-	1	1	2119083-1	RETAINER, INSULATION DIAL	242
	-	2	2	7-18023-7	SCR, SKT HD CAP M3 X 4.0	241
	-	1	1	2844940-1	AIR FEED MODULE	238
	-	1	1	356885-4	STOP, SHEAR	237
	-	REF	REF	994970-2	COUNTER, MAGNETIC	164
	-	1	1	2119955-1	ASSY, LUBRICATOR, SIDE FEED	113
	-	1	1	2844908-1	SCREW, LOCKING	99
	-	1	1	2844907-1	POST, LOCKING	98
	-	1	1	455888-5	SPACER, CRIMPER	82
	-	1	1	7-240641-1	SPACER	81
	-	1	1	1803607-3	DOCUMENTATION PACKAGE	71
	-	1	1	2119740-1	TAG, IDENTIFICATION	67
	-	2	2	2168078-1	SCREW, DRIVE, RH, RoHS, 2 x .188	66
	-	1	1	2168083-2	SCR, SKT HD CAP, RoHS, M4 X 8.0	60
	-	1	1	5-18022-5	SCR, HEX HD CAP, M4 X 6.0	59
	-	1	1	1338685-1	PAWL, FEED	56
	-	4	4	2168083-3	SCR, SKT HD CAP, RoHS, M4 X 12.0	54
	-	2	2	2168083-8	SCR, SKT HD CAP, RoHS, M4 X 16	53
	-	1	1	18023-9	SCR, SKT HD CAP M4 X 6.0	49
	-	1	1	1803583-9	APPLICATOR BASIC ASSEMBLY, SF	46
	-	1	1	1803515-1	RAM ASSEMBLY, SF ATLANTIC	44
	-	1	1	1803602-1	SCR, BHSC, RoHS (M8 X 25)	41
	-	2	2	2079383-5	SCR, BHSC, RoHS (M4 X 20)	33
	-	2	2	2-2844962-1	SPACER, CYLINDRICAL, STRIP GUIDE	30
	-	1	1	2844992-1	ASSEMBLY, STRIP GUIDE	29
	-	1	1	455888-5	SPACER, CRIMPER	28
	-	1	1	1320928-2	STRIP GUIDE	24
	-	1	1	2168083-2	SCR, SKT HD CAP, RoHS, M4 X 8.0	21
	-	2	2	1-18028-2	WASHER, FLAT, REG M4	20
	-	1	1	2119533-1	STRIPPER, SIDE FEED	19
	-	1	1	690518-2	HOLD DOWN, TERMINAL	18
	-	1	1	690463-1	FLOATING SHEAR, REAR	17
	-	2	2	1-2168083-1	SCR, SKT HD CAP, RoHS, M3 X 6	16
	-	1	1	690691-4	PLATE, REAR SHEAR	15
	-	1	1	2119862-1	SHEAR HOLDER, REAR	14
	-	1	1	2119806-1	INSERT, SHEAR	13
	-	2	2	3-22280-3	SPRING, COMPRESSION	12
	-	1	1	1-356885-4	STOP, SHEAR	11
	-	1	1	2119805-1	SHEAR HOLDER, FRONT	10
	-	1	1	1803095-1	FLOATING SHEAR, FRONT	9
	1	2	1	2-1333200-8	ANVIL, COMBINATION	8
	-	-	-	-	-	7
	-	1	1	690468-2	DEPRESSOR SHEAR, REAR	6
	-	1	1	2119757-1	DEPRESSOR, SHEAR	5
	-	1	1	238011-5	BLOCK, CRIMPER SPACER	4
	1	2	1	1-1803248-3	CRIMPER, INSULATION O PREMIUM	3
	-	1	1	455888-1	SPACER, CRIMPER	2
	1	2	1	456400-9	CRIMPER, WIRE PREMIUM	1

ATLANTIC VERSION
Shown on sheets 1 of 4 & 2 of 4
(Pacific version shown on sheets 3 of 4 & 4 of 4)

DIMENSIONS:		TOLERANCES UNLESS OTHERWISE SPECIFIED:		MATERIAL:		FINISH:	
mm	0 PLC ±	1 PLC ±	2 PLC ±	3 PLC ±	4 PLC ±	ANGLES ±	FINISH ±

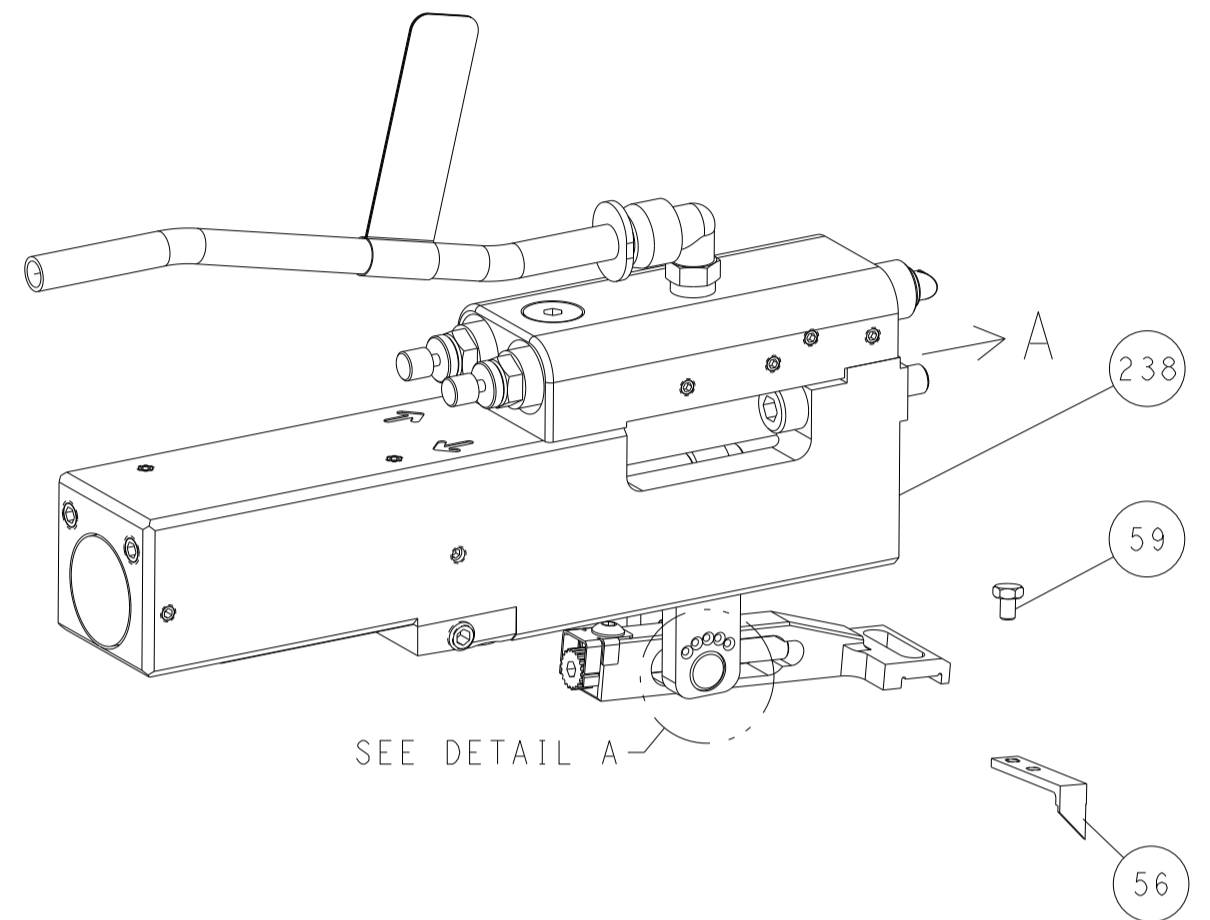
OWN	CHK	DATE	NAME	SIZE	CAGE CODE	DRAWING NO	RESTRICTED TO
X. ZHAO	L. ZHANG	26NOV2015	U. GUO	A1	00779	2836135	E

Customer Accessible Production Drawing SCALE 1:2 SHEET 1 OF 4 REV E

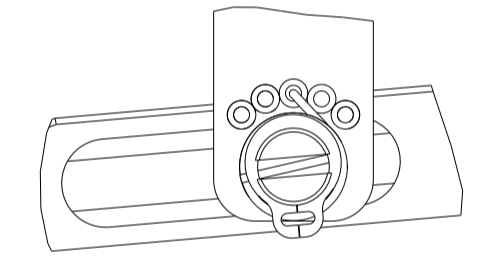
LOC	DIST	REVISIONS			
A	66	REV	DATE	BY	APPV
-	SEE SHEET 1	-	-	-	-

FEED TYPE

PNEUMATIC

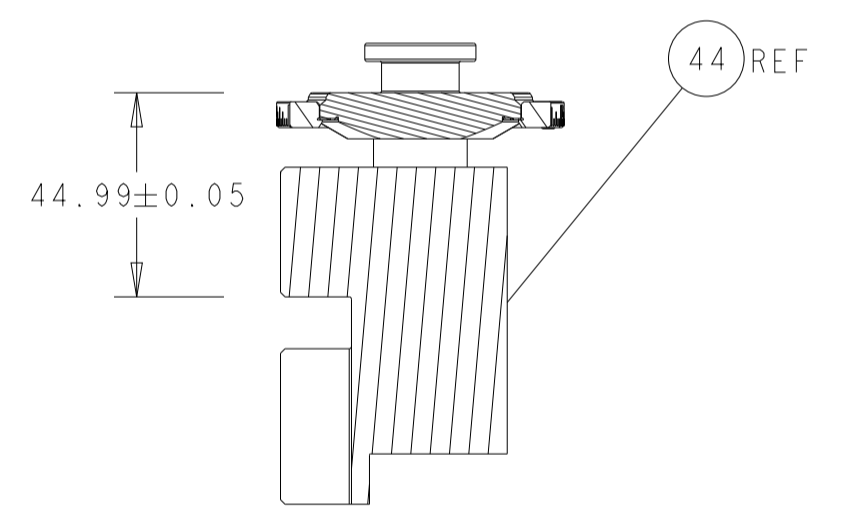
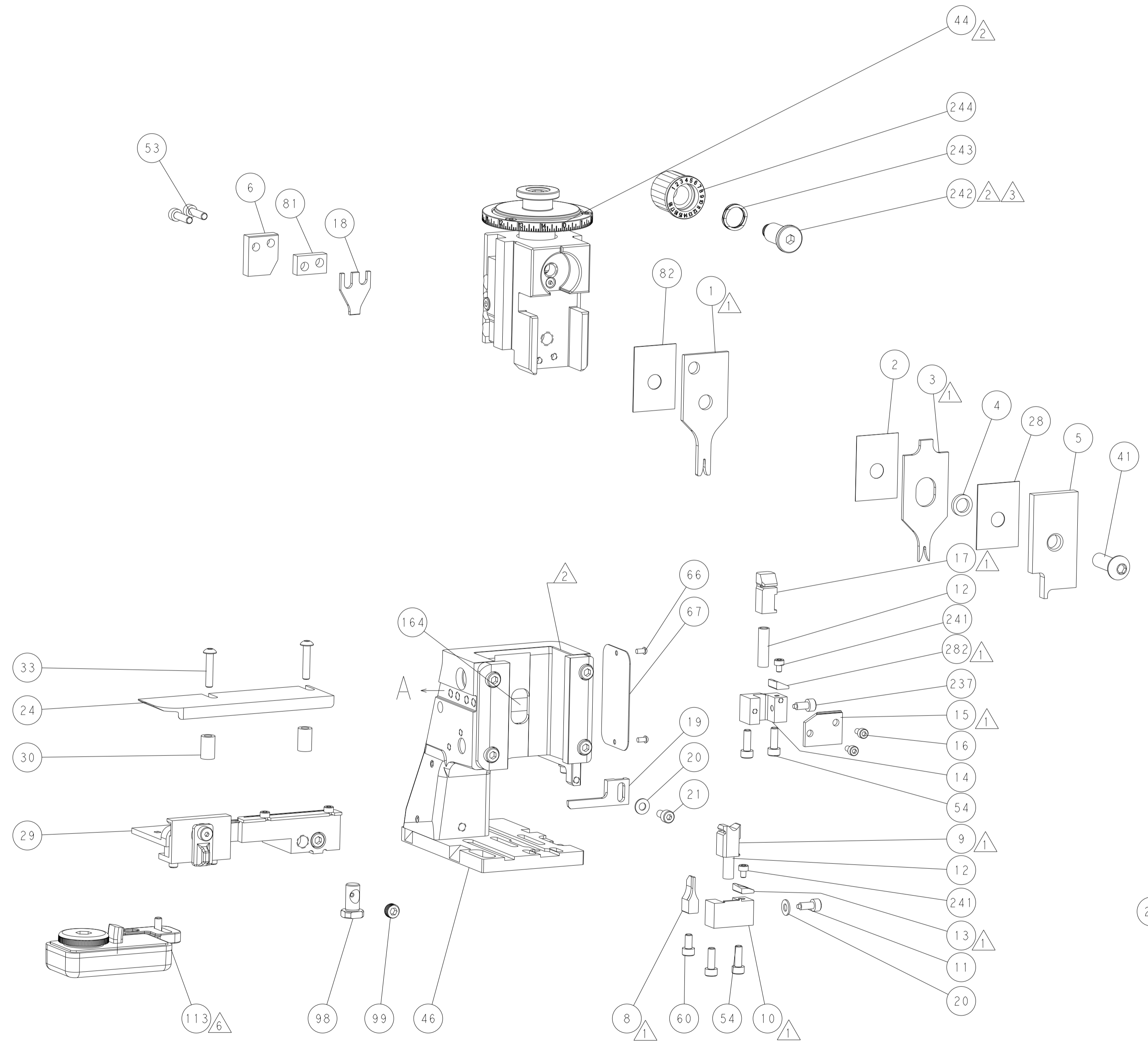
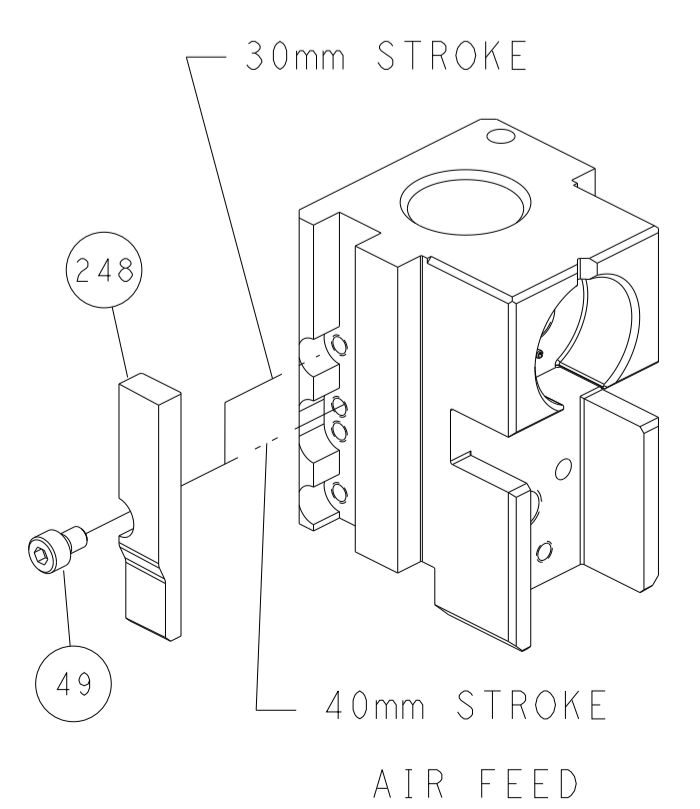


FEED SPRING SETTING POSITION
(SHOWN FROM REAR SIDE)

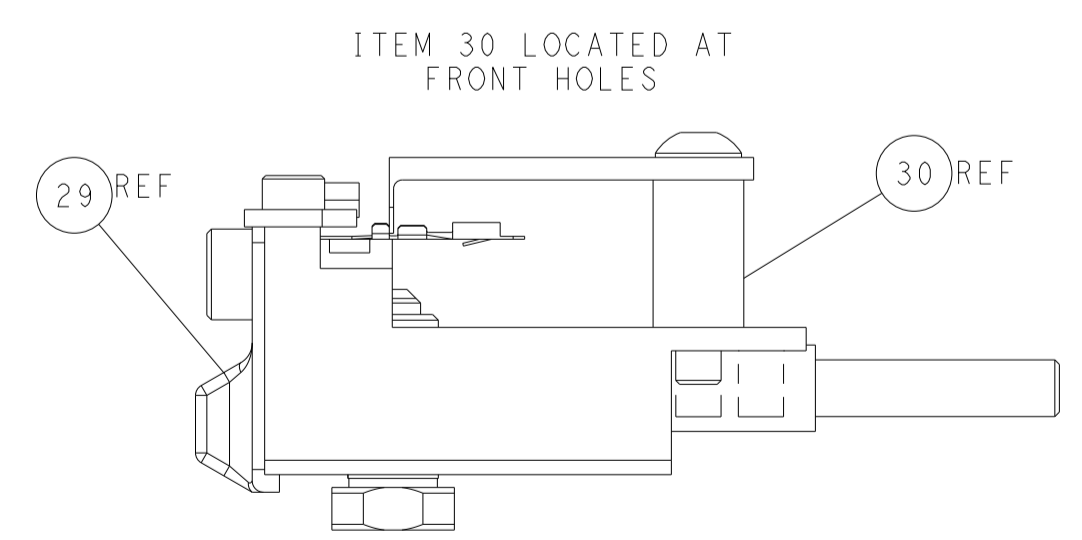


DETAIL A

CAM POSITION



RAM SET-UP



FEED TRACK POSITION
GUIDE BY INSULATION BARREL

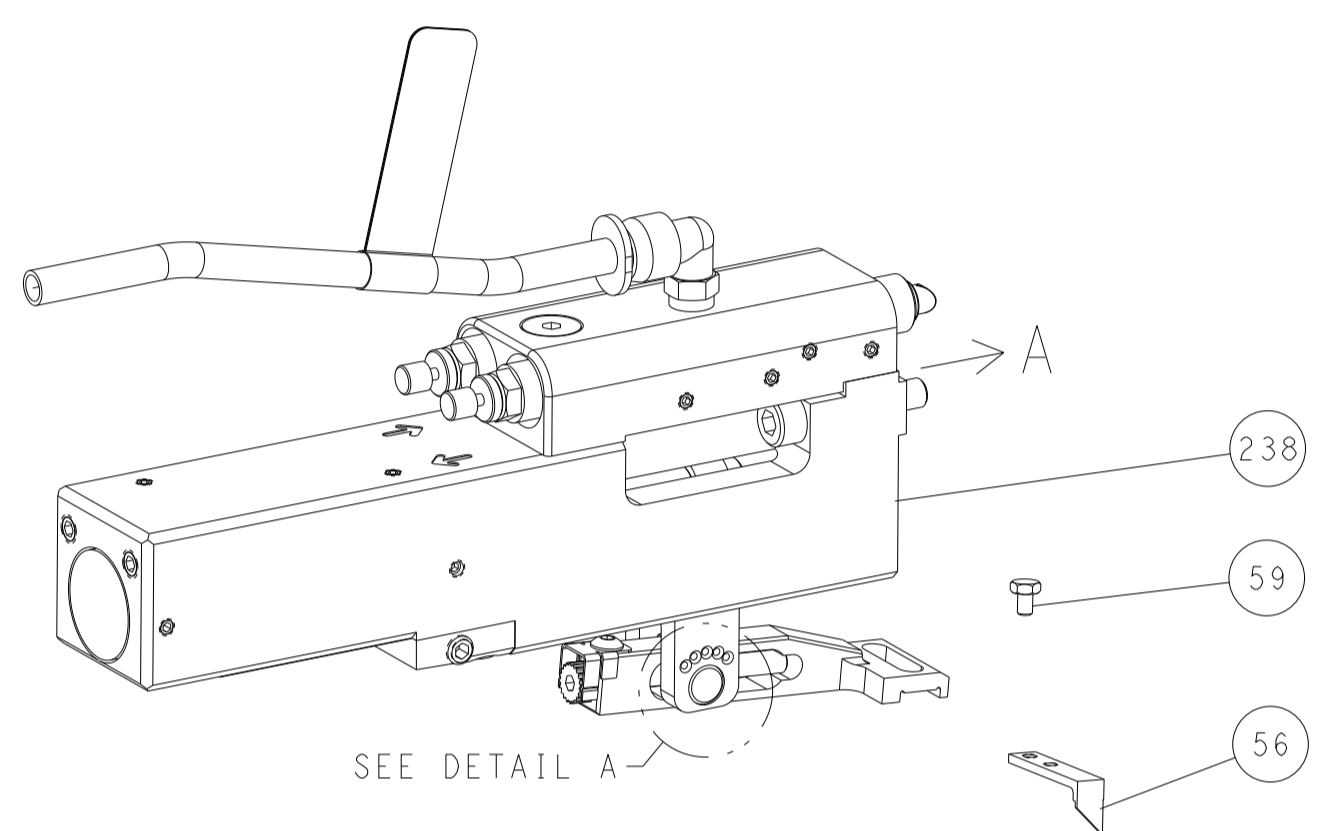
ATLANTIC VERSION
 Shown on sheets 1 of 4 & 2 of 4
 (Pacific version shown on sheets 3 of 4 & 4 of 4)

DIMENSIONS:		TOLERANCES UNLESS OTHERWISE SPECIFIED:		DWG		REV	
mm	PLC	±	mm	CHK	DATE	NAME	DATE
0	PLC	±	0.15	X. ZHAO	26NOV2015	NAME	
1	PLC	±	0.25	L. ZHANG	26NOV2015	PRODUCT SPEC	
2	PLC	±	0.35	J. GUO	26NOV2015	APPLICATION SPEC	
3	PLC	±	0.45			SIZE	
4	PLC	±	0.55			CAGE CODE	
5	PLC	±	0.65			DRAWING NO	
6	PLC	±	0.75			RESTRICTED TO	
7	PLC	±	0.85			WEIGHT	
8	PLC	±	0.95			SCALE	
9	PLC	±	1.05			SHEET	
10	PLC	±	1.15			OF	
11	PLC	±	1.25			REV	
12	PLC	±	1.35			E	
13	PLC	±	1.45				
14	PLC	±	1.55				
15	PLC	±	1.65				
16	PLC	±	1.75				
17	PLC	±	1.85				
18	PLC	±	1.95				
19	PLC	±	2.05				
20	PLC	±	2.15				
21	PLC	±	2.25				
22	PLC	±	2.35				
23	PLC	±	2.45				
24	PLC	±	2.55				
25	PLC	±	2.65				
26	PLC	±	2.75				
27	PLC	±	2.85				
28	PLC	±	2.95				
29	PLC	±	3.05				
30	PLC	±	3.15				
31	PLC	±	3.25				
32	PLC	±	3.35				
33	PLC	±	3.45				
34	PLC	±	3.55				
35	PLC	±	3.65				
36	PLC	±	3.75				
37	PLC	±	3.85				
38	PLC	±	3.95				
39	PLC	±	4.05				
40	PLC	±	4.15				
41	PLC	±	4.25				
42	PLC	±	4.35				
43	PLC	±	4.45				
44	PLC	±	4.55				
45	PLC	±	4.65				
46	PLC	±	4.75				
47	PLC	±	4.85				
48	PLC	±	4.95				
49	PLC	±	5.05				
50	PLC	±	5.15				
51	PLC	±	5.25				
52	PLC	±	5.35				
53	PLC	±	5.45				
54	PLC	±	5.55				
55	PLC	±	5.65				
56	PLC	±	5.75				
57	PLC	±	5.85				
58	PLC	±	5.95				
59	PLC	±	6.05				
60	PLC	±	6.15				
61	PLC	±	6.25				
62	PLC	±	6.35				
63	PLC	±	6.45				
64	PLC	±	6.55				
65	PLC	±	6.65				
66	PLC	±	6.75				
67	PLC	±	6.85				
68	PLC	±	6.95				
69	PLC	±	7.05				
70	PLC	±	7.15				
71	PLC	±	7.25				
72	PLC	±	7.35				
73	PLC	±	7.45				
74	PLC	±	7.55				
75	PLC	±	7.65				
76	PLC	±	7.75				
77	PLC	±	7.85				
78	PLC	±	7.95				
79	PLC	±	8.05				
80	PLC	±	8.15				
81	PLC	±	8.25				
82	PLC	±	8.35				
83	PLC	±	8.45				
84	PLC	±	8.55				
85	PLC	±	8.65				
86	PLC	±	8.75				
87	PLC	±	8.85				
88	PLC	±	8.95				
89	PLC	±	9.05				
90	PLC	±	9.15				
91	PLC	±	9.25				
92	PLC	±	9.35				
93	PLC	±	9.45				
94	PLC	±	9.55				
95	PLC	±	9.65				
96	PLC	±	9.75				
97	PLC	±	9.85				
98	PLC	±	9.95				
99	PLC	±	10.05				
100	PLC	±	10.15				

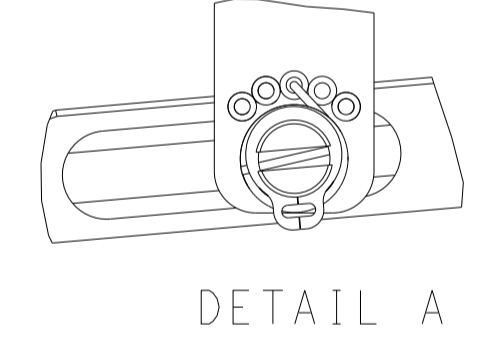
LOC	DIST	REVISIONS					
A	66	P	LTN	DESCRIPTION	DATE	DWN	APVD
		-		SEE SHEET 1	-	-	-

FEED TYPE

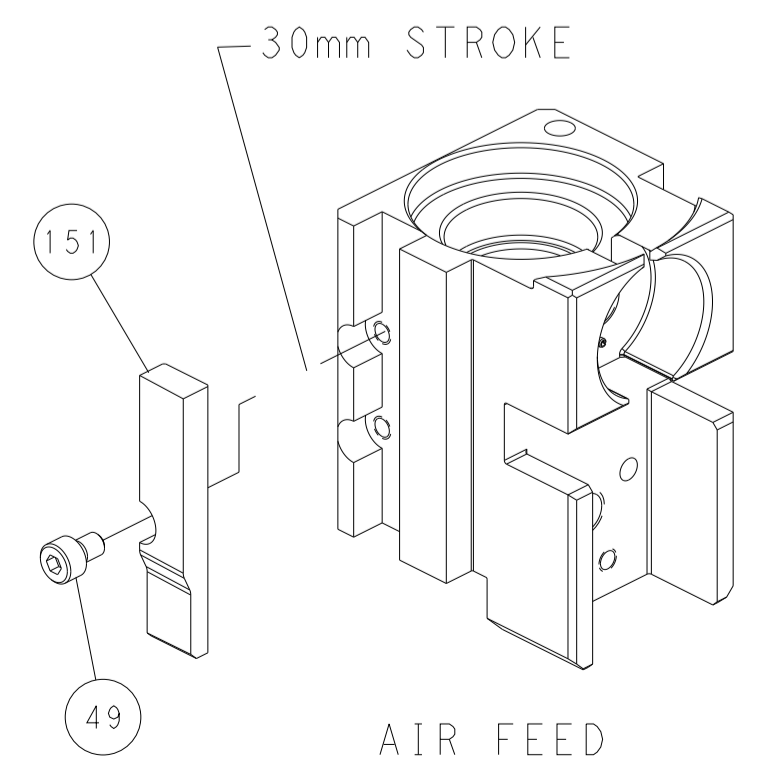
PNEUMATIC



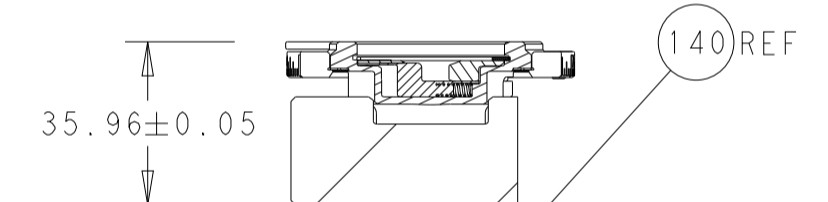
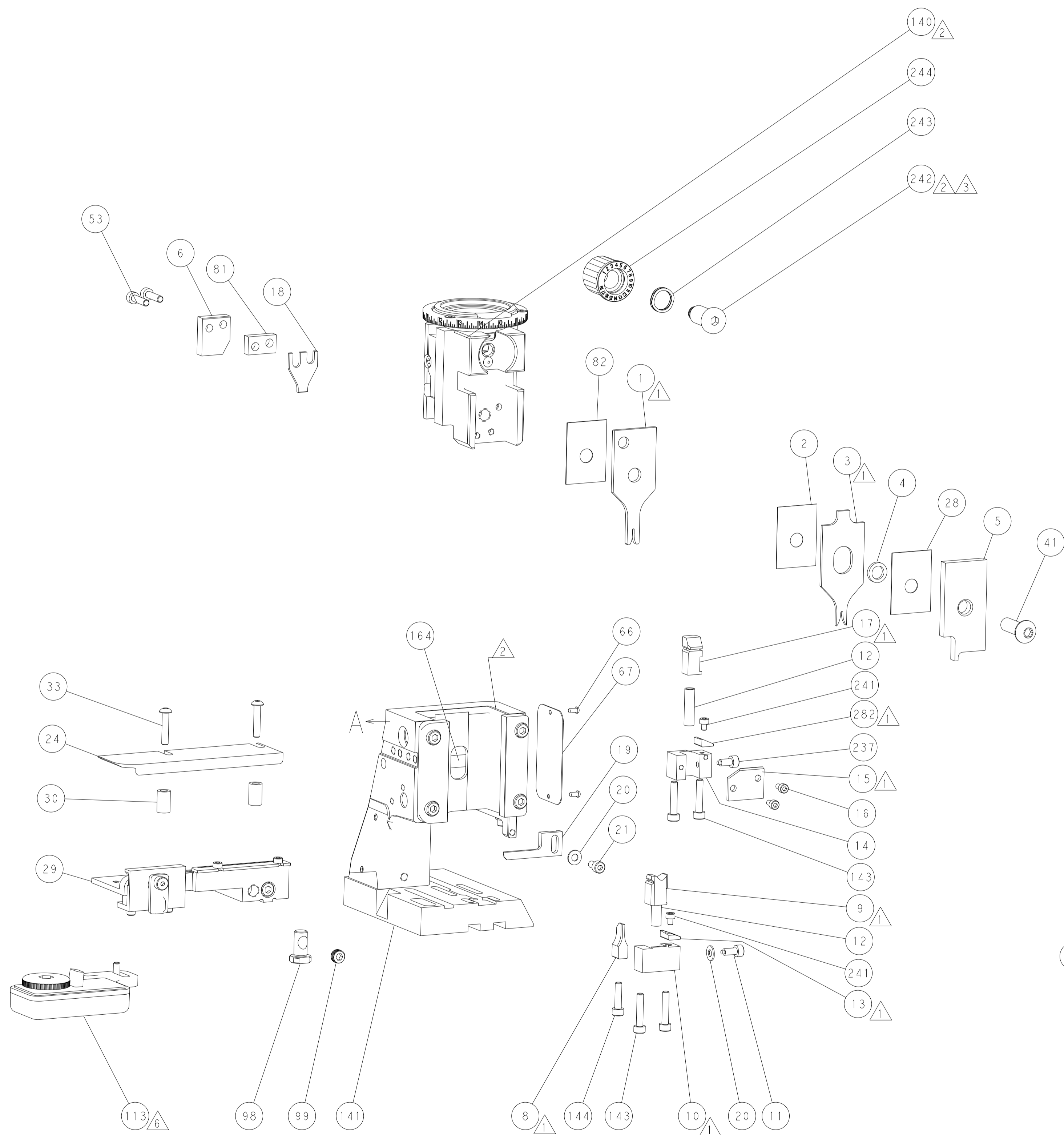
FEED SPRING SETTING POSITION (SHOWN FROM REAR SIDE)



CAM POSITION

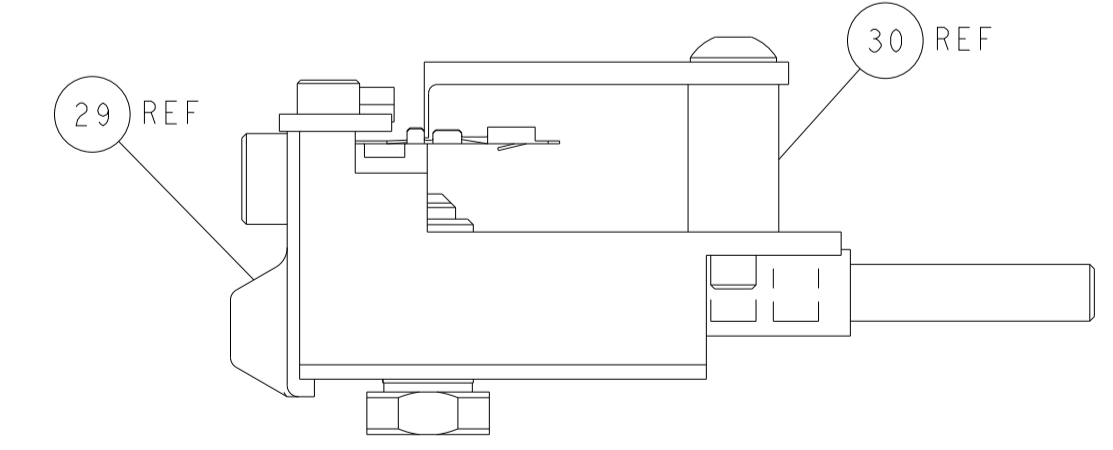


AIR FEED



RAM SET-UP

ITEM 30 LOCATED AT FRONT HOLES



FEED TRACK POSITION GUIDE BY INSULATION BARREL

PACIFIC VERSION
 Shown on sheets 3 of 4 & 4 of 4
 (Atlantic version shown on sheets 1 of 4 & 2 of 4)

<small>THIS DRAWING IS UNPUBLISHED. RELEASED FOR PUBLICATION 20. COPYRIGHT 20 BY TYCO ELECTRONICS CORPORATION. ALL RIGHTS RESERVED.</small>		DWN X.ZHAO 26NOV2015 CHK L.ZHANG 26NOV2015 APVD J.GUO 26NOV2015	TE Connectivity Harrisburg, PA 17105-3608
DIMENSIONS: mm TOLERANCES UNLESS OTHERWISE SPECIFIED: 0 PLC ± 1 PLC ± 2 PLC ± 3 PLC ± 4 PLC ± ANGLES FINISH ±		NAME Ocean Side Feed Applicator PRODUCT SPEC APPLICATION SPEC SIZE CAGE CODE DRAWING NO. A1 00779 C=2836135 WEIGHT Customer Accessible Production Drawing	RESTRICTED TO SCALE 1:2 SHEET 4 OF 4 REV E