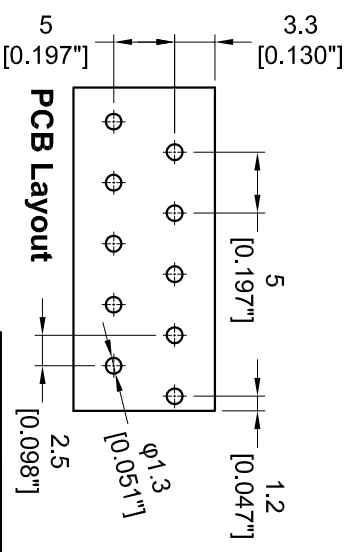
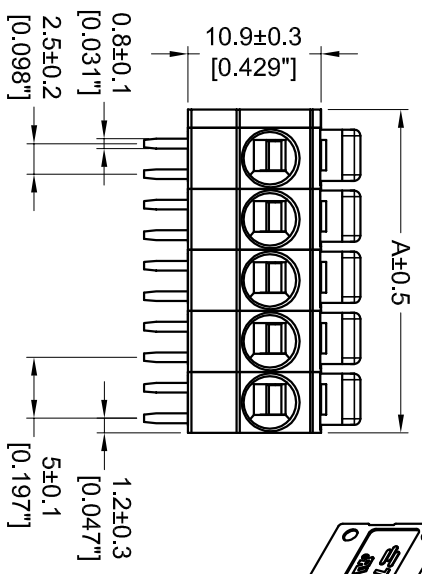
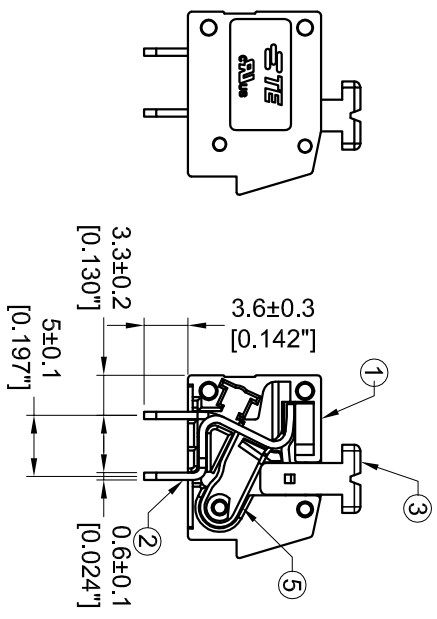
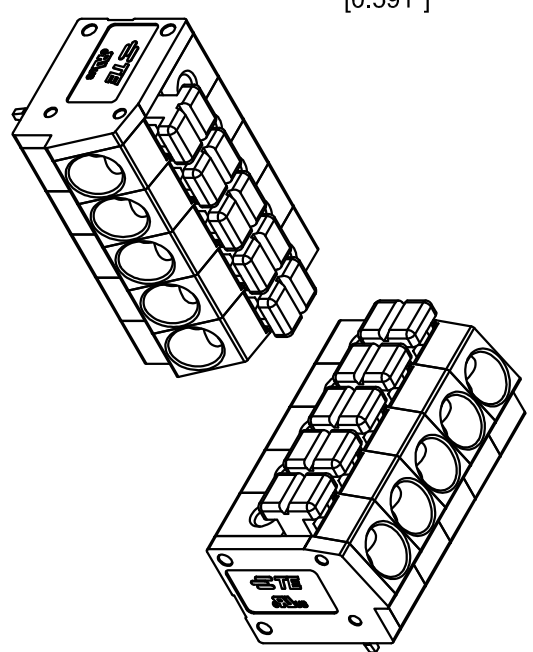
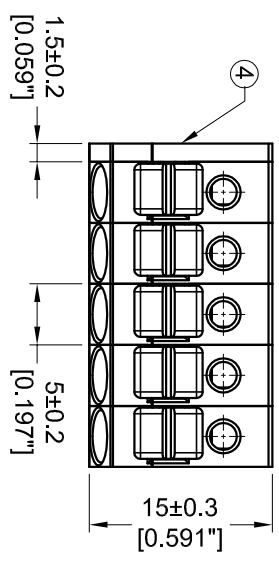


REVISONS		DATE	BY	APP'D
1	DESCRIPTION			
2	REVISED			
3	REVISED			
4	REVISED			



NO. OF POSN	PART NO
8 POSN	2834105-7
7 POSN	2834105-6
6 POSN	2834105-5
5 POSN	2834105-4
4 POSN	2834105-3
3 POSN	2834105-2
2 POSN	2834105-1

- NOTES :
- △ MATERIALS AND FINISH:
    - HOUSING: PA66
    - CONTACTS: BRASS, FINISH: TIN OVER COPPER UNDERPLATE
  - 2. MUST COMPLY WITH DIRECTIVE 2002/95/EC (RoHS)
  - 3. WIRE TYPES AND SIZES ACCEPTED
  - WIRE RANGE: 12AWG~24AWG.
  - STRIP LENGTH: 10mm
  - 4. PACKAGED IN TRAY.
  - 5. CURRENT RATING: 10Amp AC300V.
  - 6. OPERATION TEMPERATURE: -40°C TO +105°C
  - 7. THIS PART NO. IS THE SAME STRUCTURE AS THE SERIES: 2834105
  - THE DATASHEET AND MORE DETAILS PLEASE FOLLOW THE SERIES: 2834105

THIS DRAWING IS A CONTROLLED DOCUMENT

DESIGNER	CHK'D	DATE
REVISED	DATE	BY

NAME: 500mm Horizontal Entry Screwless Connector  
 DIM: A200779  
 SCALE: 1:1  
 SHEET: 1 OF 1  
 REV: A