

4

3

2

1

THIS DRAWING IS UNPUBLISHED.

RELEASED FOR PUBLICATION

20

© COPYRIGHT 20

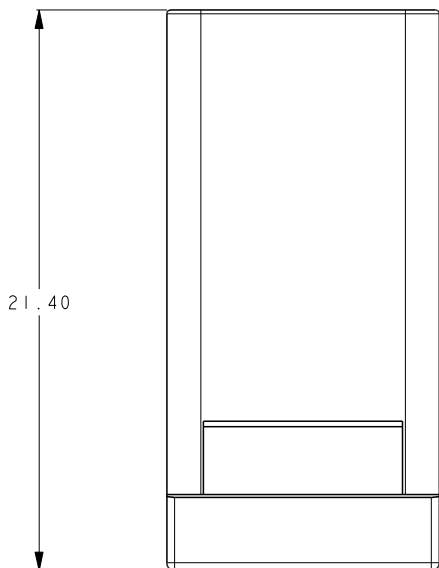
ALL RIGHTS RESERVED.

ES

REVISIONS

P	LTR	DESCRIPTION	DATE	DWN	APVD
A		INITIAL RELEASE	25JUL2016	Z.W	X.X
B		ADD NEW I POS PART NUMBERS	20JUN2017	Z.W	S.M
C		UPDATE PACKAGE SPEC	2JAN2018	Z.W	S.M

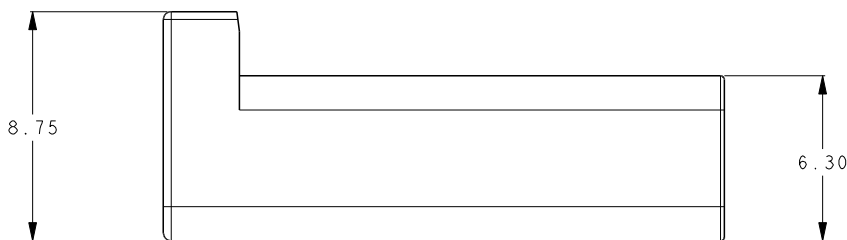
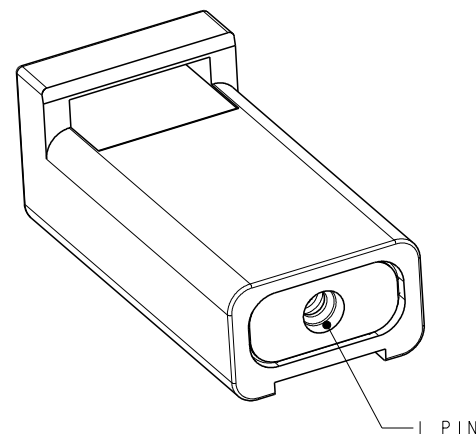
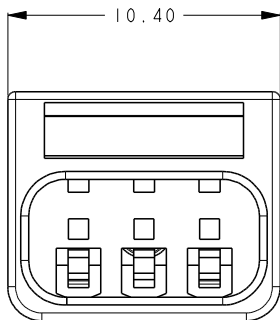
D



C

B

A



GRAY	I	4-2834075-1
RED	I	3-2834075-1
BLACK	I	2-2834075-1
WHITE	I	1-2834075-1
COLOR	NO OF POSN	PART NUMBER

NOTES:

- MATERIAL: HOUSING: THERMOPLASTIC, UL94-V0. SEAL: RUBBER.
- PN: SEE TABLE
- PACKAGING: TRAY.
- PACKAGING SPEC: 107-137093.

THIS DRAWING IS A CONTROLLED DOCUMENT.

DIMENSIONS: mm	TOLERANCES UNLESS OTHERWISE SPECIFIED: ± 0.5
	0-PLC ±
	1-PLC ±
	2-PLC ±
	3-PLC ±
	4-PLC ±
	ANGLES ±5°
MATERIAL	FINISH
	-

DWN	15JULY2016	ZHANG WEI
CHK	15JULY2016	SHI MING
APVD	15JULY2016	XU XIANG
PRODUCT SPEC	108-137093	
APPLICATION SPEC	114-137093	
WEIGHT	-	
CUSTOMER DRAWING		

STE TE Connectivity
 RECEPTACLE
 MINIATURE WATERPROOF CONN.

NAME	SIZE	CAGE CODE	DRAWING NO	RESTRICTED TO
	A3	00779	C=2834075	-
SCALE	SHEET	OF	REV	
5:1	1	4	C	

4

3

2

1

THIS DRAWING IS UNPUBLISHED.

RELEASED FOR PUBLICATION

20

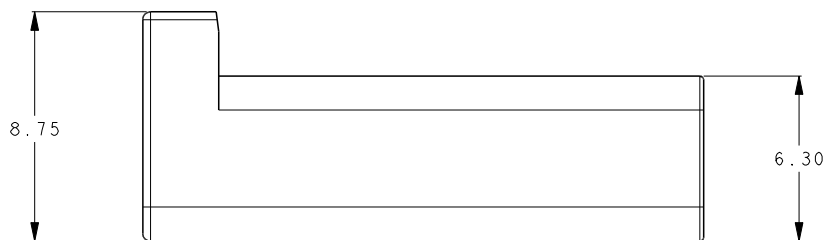
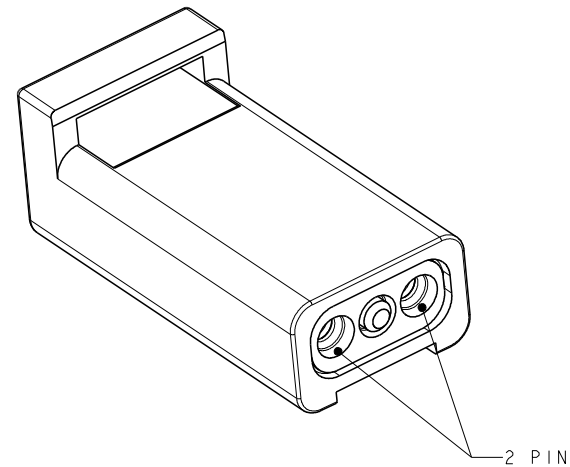
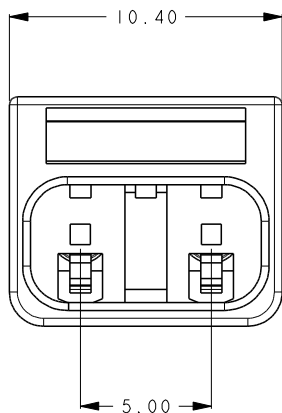
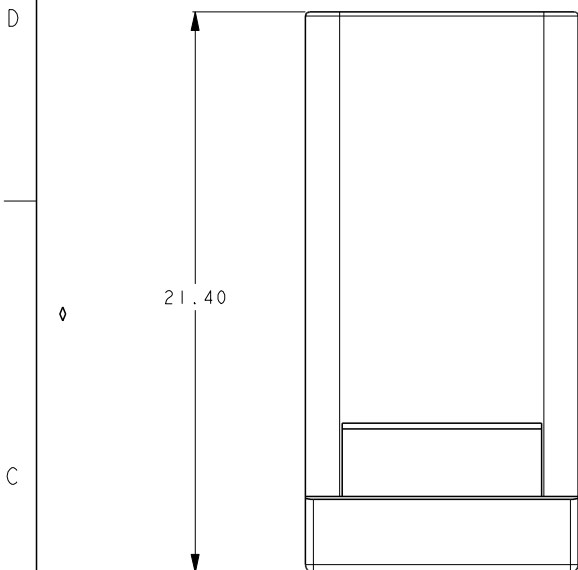
© COPYRIGHT 20

ALL RIGHTS RESERVED.

ES

REVISIONS

P	LTR	DESCRIPTION	DATE	DWN	APVD
		SEE SHEET 1			



COLOR	NO OF POSN	PART NUMBER
GRAY	2	4-2834075-2
RED	2	3-2834075-2
BLACK	2	2-2834075-2
WHITE	2	1-2834075-2

- NOTES:
- MATERIAL: HOUSING: THERMOPLASTIC, UL94-V0. SEAL: RUBBER.
 - PN: SEE TABLE
 - PACKAGING: TRAY.
 - PACKAGING SPEC: 107-137093.

THIS DRAWING IS A CONTROLLED DOCUMENT.		DWN 15JULY2016 ZHANG WEI	STE TE Connectivity													
DIMENSIONS: mm		CHK 15JULY2016 SHI MING														
TOLERANCES UNLESS OTHERWISE SPECIFIED: ±0.5		APVD 15JULY2016 XU XIANG	NAME													
<table border="1"> <tr><td>0-PLC</td><td>±</td></tr> <tr><td>1-PLC</td><td>±</td></tr> <tr><td>2-PLC</td><td>±</td></tr> <tr><td>3-PLC</td><td>±</td></tr> <tr><td>4-PLC</td><td>±</td></tr> <tr><td>ANGLES</td><td>±5°</td></tr> </table>		0-PLC	±	1-PLC	±	2-PLC	±	3-PLC	±	4-PLC	±	ANGLES	±5°	PRODUCT SPEC 108-137093	RECEPTACLE MINIATURE WATERPROOF CONN.	
0-PLC	±															
1-PLC	±															
2-PLC	±															
3-PLC	±															
4-PLC	±															
ANGLES	±5°															
MATERIAL	FINISH	APPLICATION SPEC 114-137093	SIZE	CAGE CODE	DRAWING NO	RESTRICTED TO										
		WEIGHT	A300779		C=2834075	-										
CUSTOMER DRAWING			SCALE 5:1	SHEET 2 OF 4	REV C											

4

3

2

1

THIS DRAWING IS UNPUBLISHED.

RELEASED FOR PUBLICATION

20

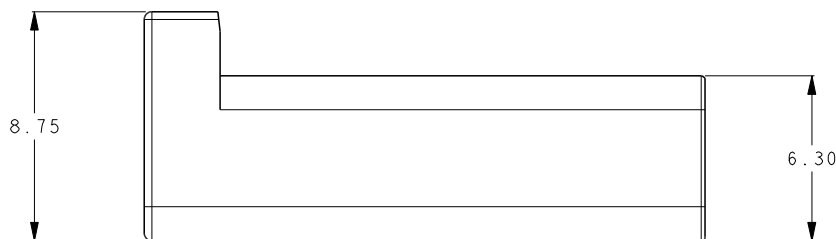
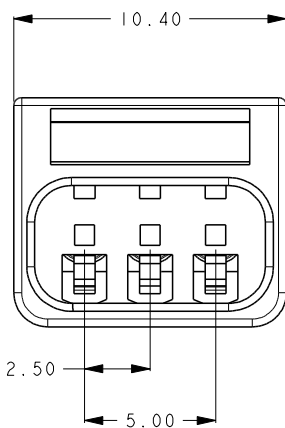
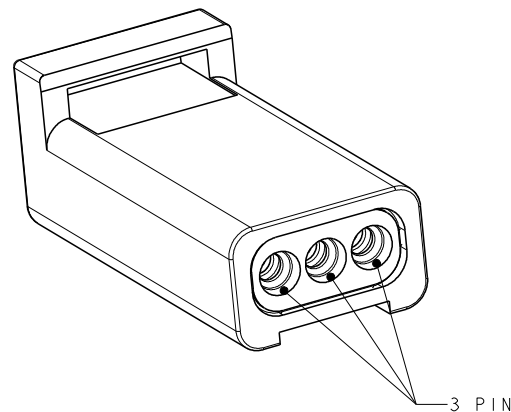
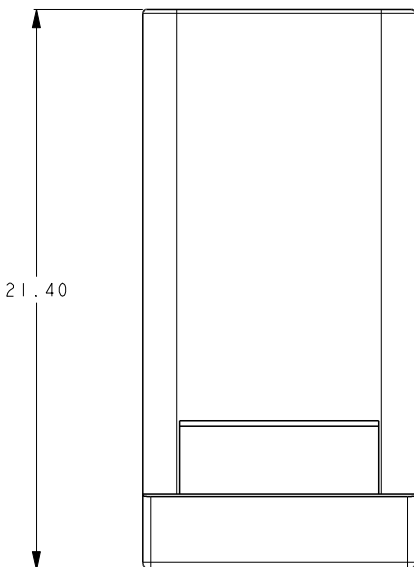
© COPYRIGHT 20

ALL RIGHTS RESERVED.

ES



REVISIONS

P	LTR	DESCRIPTION	DATE	DWN	APVD
		SEE SHEET 1			



GRAY	3	4-2834075-3
RED	3	3-2834075-3
BLACK	3	2-2834075-3
WHITE	3	1-2834075-3
COLOR	NO OF POSN	PART NUMBER

- NOTES:
- MATERIAL: HOUSING: THERMOPLASTIC, UL94-V0. SEAL: RUBBER.
 - PN: SEE TABLE
 - PACKAGING: TRAY.
 - PACKAGING SPEC: 107-137093.

THIS DRAWING IS A CONTROLLED DOCUMENT.		DWN	15 JULY 2016	 TE Connectivity											
DIMENSIONS: mm		CHK	15 JULY 2016												
TOLERANCES UNLESS OTHERWISE SPECIFIED: ±0.5		APVD	15 JULY 2016												
<table border="1"> <tr><td>0-PLC</td><td>±</td></tr> <tr><td>1-PLC</td><td>±</td></tr> <tr><td>2-PLC</td><td>±</td></tr> <tr><td>3-PLC</td><td>±</td></tr> <tr><td>4-PLC</td><td>±</td></tr> <tr><td>ANGLES</td><td>±5°</td></tr> </table>		0-PLC	±			1-PLC	±	2-PLC	±	3-PLC	±	4-PLC	±	ANGLES	±5°
0-PLC	±														
1-PLC	±														
2-PLC	±														
3-PLC	±														
4-PLC	±														
ANGLES	±5°														
MATERIAL		PRODUCT SPEC	108-137093	RECEPTACLE MINIATURE WATERPROOF CONN.											
FINISH		APPLICATION SPEC	114-137093	SIZE	RESTRICTED TO										
		WEIGHT	-	CAGE CODE	DRAWING NO										
		CUSTOMER DRAWING		A300779	C=2834075										
		SCALE 5:1		SHEET 3 OF 4	REV C										

THIS DRAWING IS UNPUBLISHED.

RELEASED FOR PUBLICATION

20

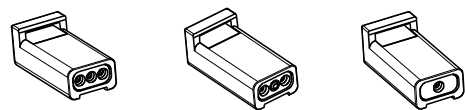
© COPYRIGHT 20

ALL RIGHTS RESERVED.

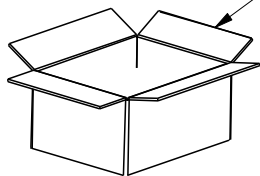
ES

REVISIONS

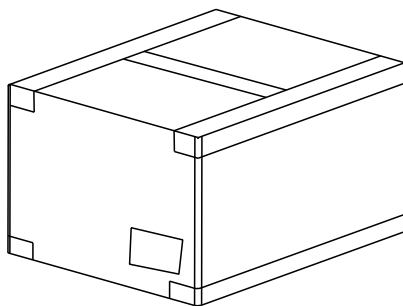
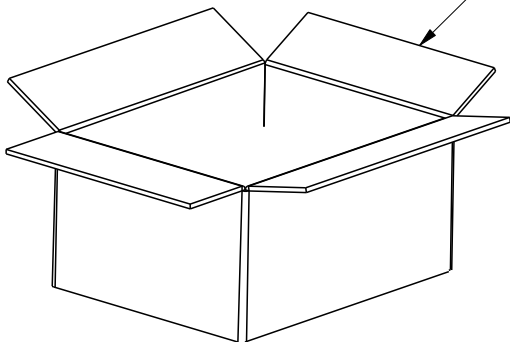
P	LTR	DESCRIPTION	DATE	DWN	APVD
		SEE SHEET 1			



TRAY



INNER CARTON



OUTER CARTON

- NOTE:
- 1. PUT PARTS IN THE TRAY.
 - 2. PUT 5 PACKED TRAYS INTO ONE INNER CARTON. PUT 4 INNER CARTONS INTO ONE OUTER CARTON. TOTAL 20 PACKED TRAYS.
 - 3. SEAL THE CARTON
 - 4. PACKAGING QUANTITY: SEE TABLE.
 - 5. PACKAGING SPEC : 107-137093.

©

PART NUMBER	PARTS PER TRAY	TRAYS PER INNER CARTON	PARTS PER INNER CARTON	TRAYS PER OUTER CARTON	PARTS PER OUTER CARTON
1-2834075-1	288 PCS	5	1440 PCS	20	5760 PCS
2-2834075-1	288 PCS	5	1440 PCS	20	5760 PCS
3-2834075-1	288 PCS	5	1440 PCS	20	5760 PCS
4-2834075-1	288 PCS	5	1440 PCS	20	5760 PCS
1-2834075-2	288 PCS	5	1440 PCS	20	5760 PCS
2-2834075-2	288 PCS	5	1440 PCS	20	5760 PCS
3-2834075-2	288 PCS	5	1440 PCS	20	5760 PCS
4-2834075-2	288 PCS	5	1440 PCS	20	5760 PCS
1-2834075-3	288 PCS	5	1440 PCS	20	5760 PCS
2-2834075-3	288 PCS	5	1440 PCS	20	5760 PCS
3-2834075-3	288 PCS	5	1440 PCS	20	5760 PCS
4-2834075-3	288 PCS	5	1440 PCS	20	5760 PCS

THIS DRAWING IS A CONTROLLED DOCUMENT.

DIMENSIONS: mm	TOLERANCES UNLESS OTHERWISE SPECIFIED: ± 0.5
	0-PLC ±
	1-PLC ±
	2-PLC ±
	3-PLC ±
	4-PLC ±
ANGLES	±5°

MATERIAL	FINISH

DWN	15JULY2016 ZHANG WEI
CHK	15JULY2016 SHI MING
APVD	15JULY2016 XU XIANG
PRODUCT SPEC	108-137093
APPLICATION SPEC	114-137093
WEIGHT	-
CUSTOMER DRAWING	



TE Connectivity

RECEPTACLE
MINIATURE WATERPROOF CONNECTOR

NAME				RESTRICTED TO
SIZE	CAGE CODE	DRAWING NO		
A300779	©=2834074			
SCALE	SHEET	OF	REV	
5:1	4	4	C	