

LDC		JUST		REVISIONS				
P	LTR	DESCRIPTION	DATE	BY	APP'D	CHK'D	SM	
A		FIRST VERSION						

NOTES :

- △ MATERIALS AND FINISH:
 - HOUSING: PA66
 - CONTACTS: COPPER ALLOY, FINISH: TIN OVER NICKEL UNDERPLATE

2. MUST COMPLY WITH DIRECTIVE 2002/95/EC (ROHS)
3. WIRE TYPES AND SIZES ACCEPTED
 WIRE RANGE: 16AWG~20AWG.
 STRIP LENGTH: 7.5mm~8.5mm
4. PACKAGED IN TRAY.
5. CURRENT RATING: 6Amp AC300V.
6. OPERATION TEMPERATURE: -40°C TO +105°C

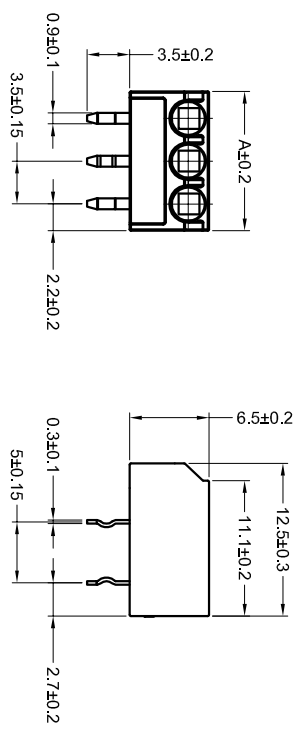
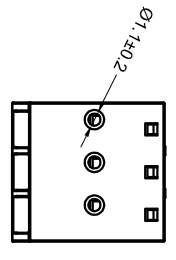
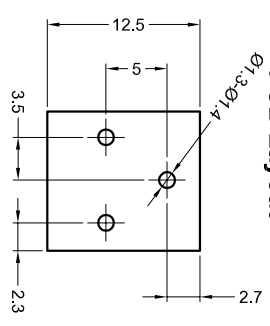
P/N: *-2834020-*

COLOR CODE: _____ PIN No: _____

SERIES CODE	POSN
1=GREEN	2=2 POSN
2=BLUE	3=3 POSN
3=BROWN	4=4 POSN
4=ORANGE	5=5 POSN
5=GREY	6=6 POSN
6=RED	7=7 POSN
7=YELLOW	8=8 POSN
8=PURPLE	
9=WHITE	
0=BLACK	

REMARK: THE DIFFERENT COLORS COULD BE COMBINED TO THE NEW CONNECTOR P/Ns FOR CUSTOMER REQUEST.

PCB Layout



28.90	8 POSN
25.40	7 POSN
21.90	6 POSN
18.40	5 POSN
14.90	4 POSN
11.40	3 POSN
7.90	2 POSN
A	NO. OF POSITIONS

THIS DRAWING IS A CONTROLLED DOCUMENT.

DATE: 11/14/2015
 BY: GEORGE F. LAMONTE
 CHECKED BY: SHI MING LAMONTE

REVISIONS: 108-137083
 PREVIOUS EDITIONS: 114-137083

SCALE: 1:1 SHEET 1 OF 1 REV A

3.50mm Pitch Modular Screwless Conn

STTE TE Connectivity