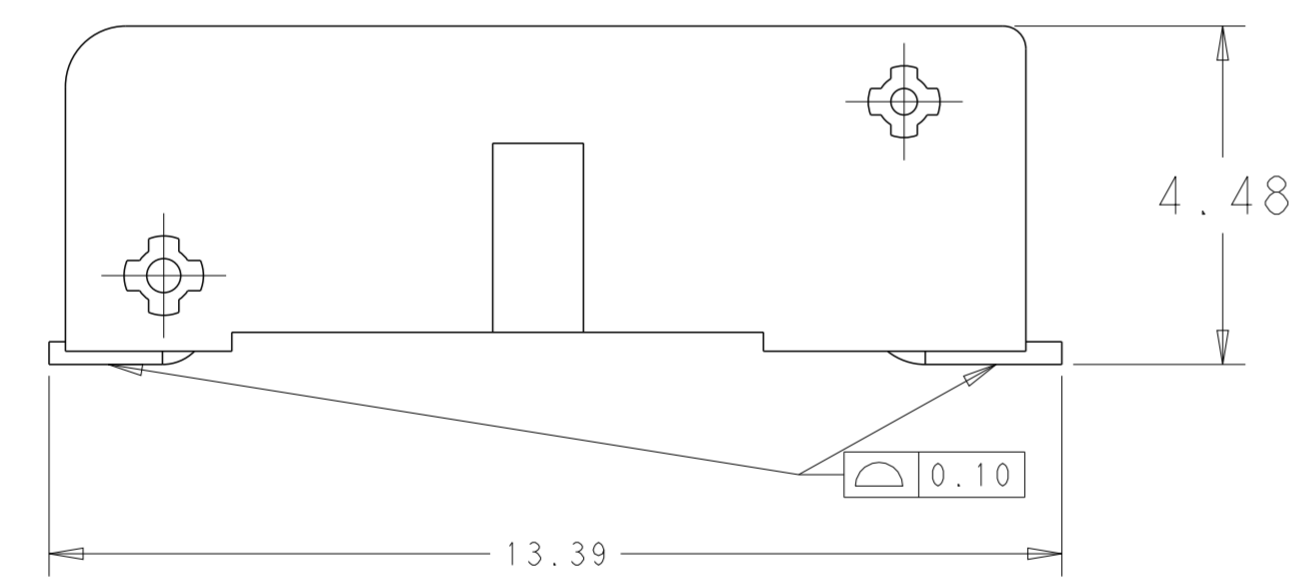
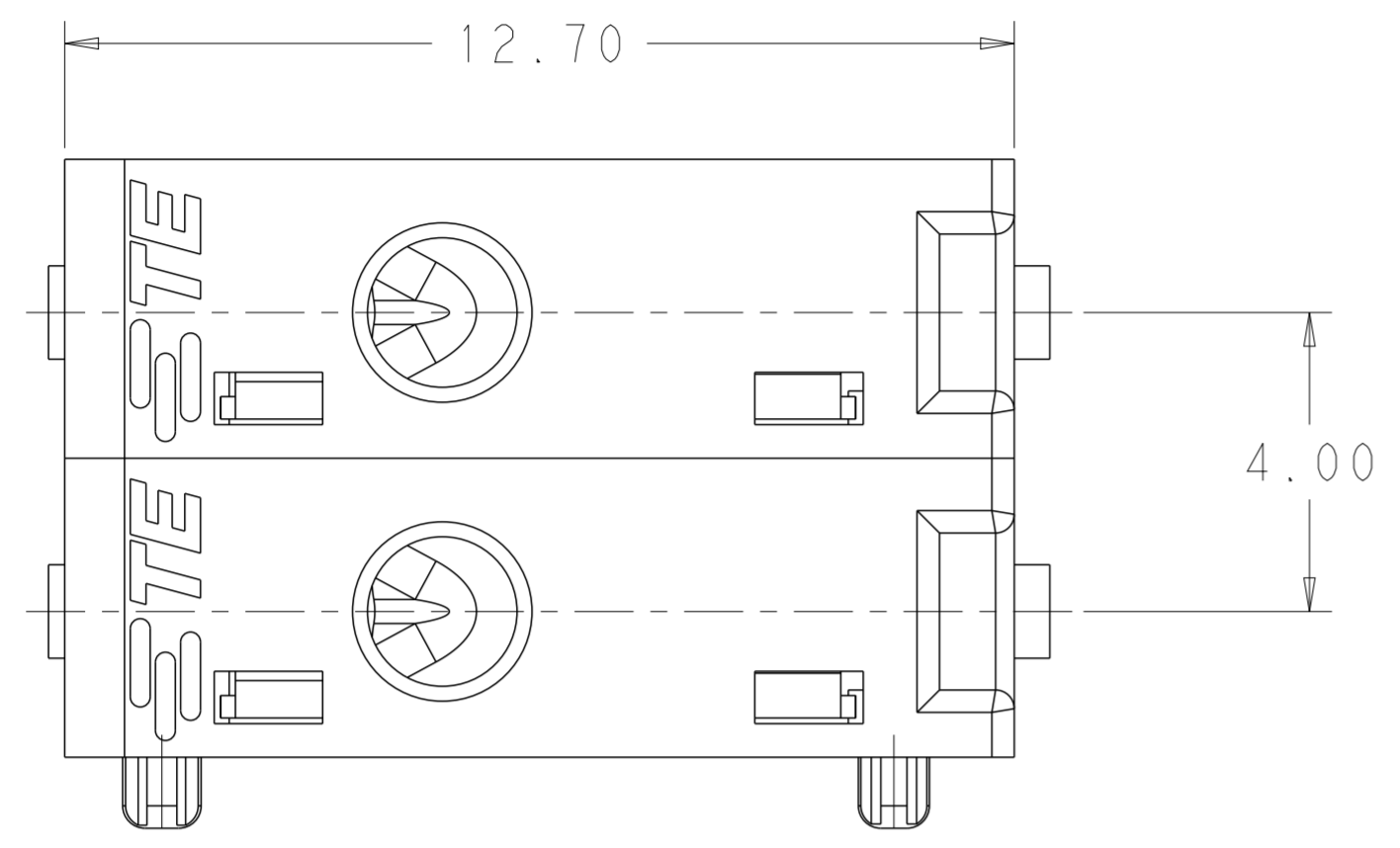


THIS DRAWING IS UNPUBLISHED. RELEASED FOR PUBLICATION 20
 © COPYRIGHT 20 BY - ALL RIGHTS RESERVED.

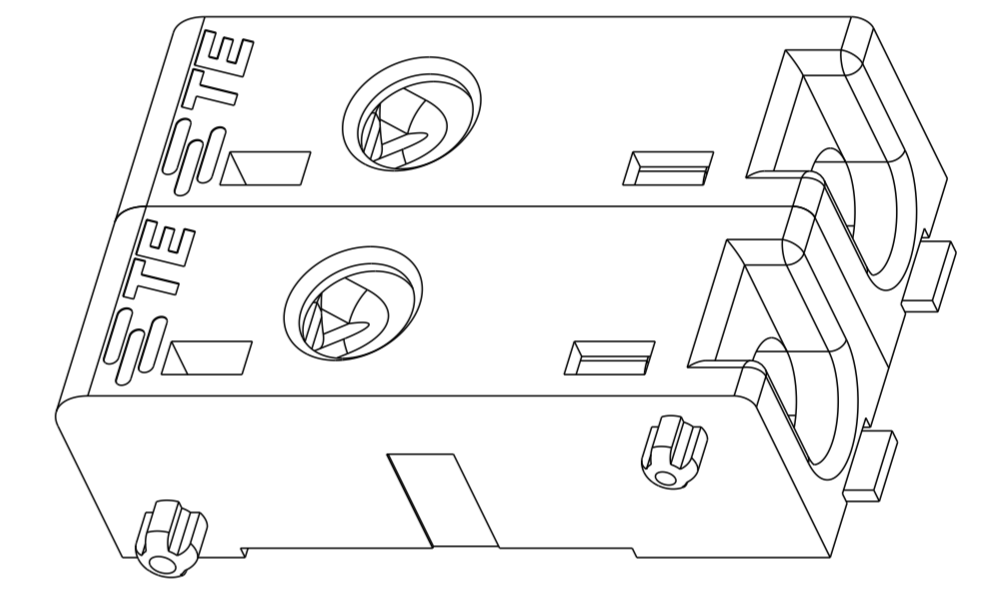
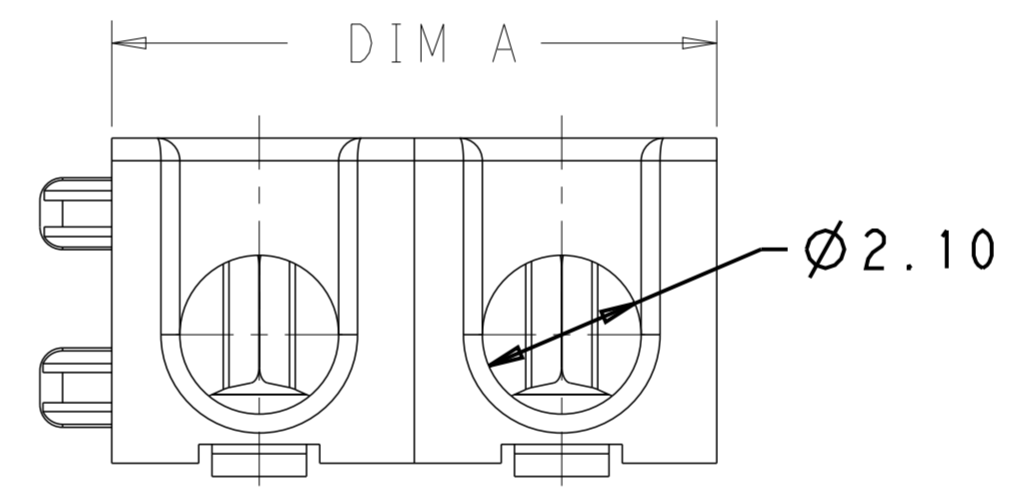
REVISIONS					
P	LTR	DESCRIPTION	DATE	DWN	APVD
B5		ADD NEW PART: 7-2834006-1	13SEP2017	G.F	S.M
B6		ECR-18-015867 ADD NEW P/N	08OCT2018	G.F	S.M
B7		UPDATED PCB LAYOUT INFORMATION	06JUN2023	C.Z	S.M
				-	-

NOTES :

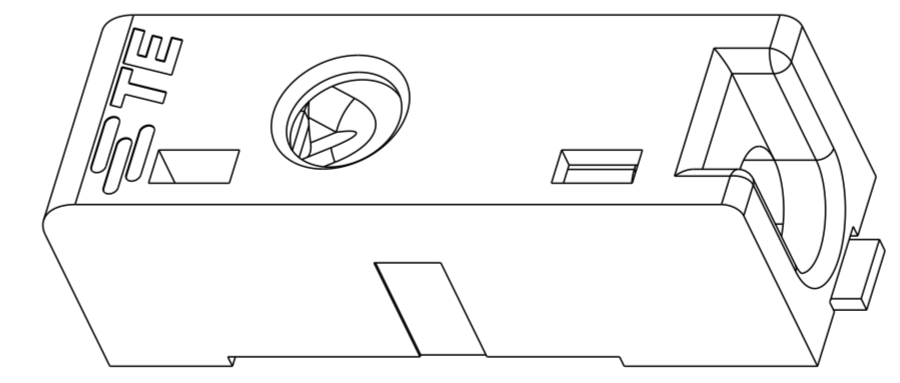
- ⚠ MATERIALS AND FINISH:
 - HOUSING: HIGH TEMPERATURE RESIN
 - CONTACTS: COPPER ALLOY, FINISH: PRE-TIN OVER NICKEL UNDERPLATE
- MUST COMPLY WITH DIRECTIVE 2002/95/EC (ROHS)
- WIRE TYPES AND SIZES ACCEPTED
 SOLID WIRE: 18AWG, 20AWG, 22AWG, 16AWG (ONLY ONE TIME INSERTING)
 STRANDED WIRE(TIN-DIPPED): 18AWG(STRANDS:16); 20AWG(STRANDS:7); 22AWG(STRANDS:7)
 MAX INSULATION OD: 2.05mm MAX.
 STRIP LENGTH: 8.0±0.5mm
- PACKAGED IN TAPE AND REEL



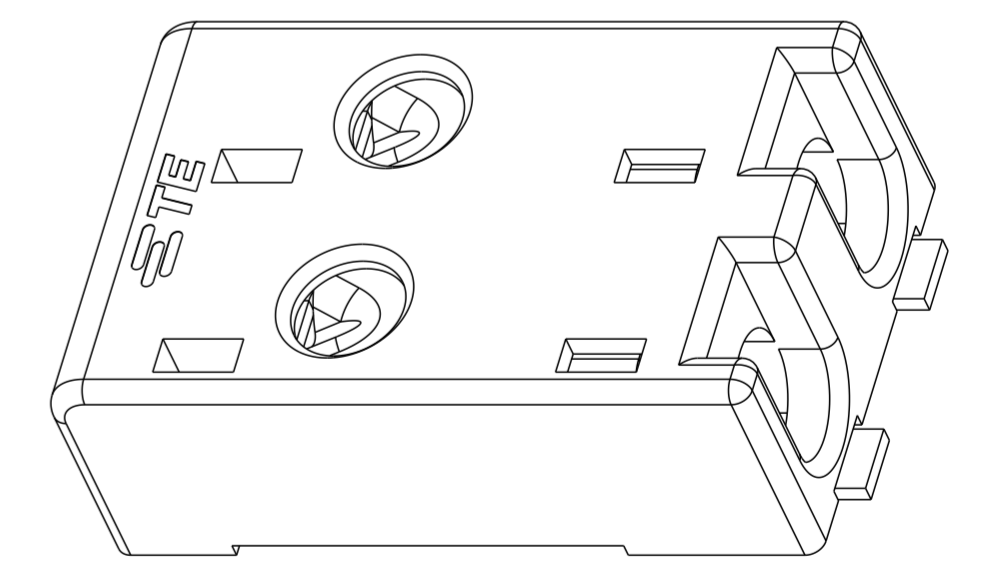
SCALE 10:1



MODULAR ASSEMBLY TYPE



P/N: 5-2834006-1

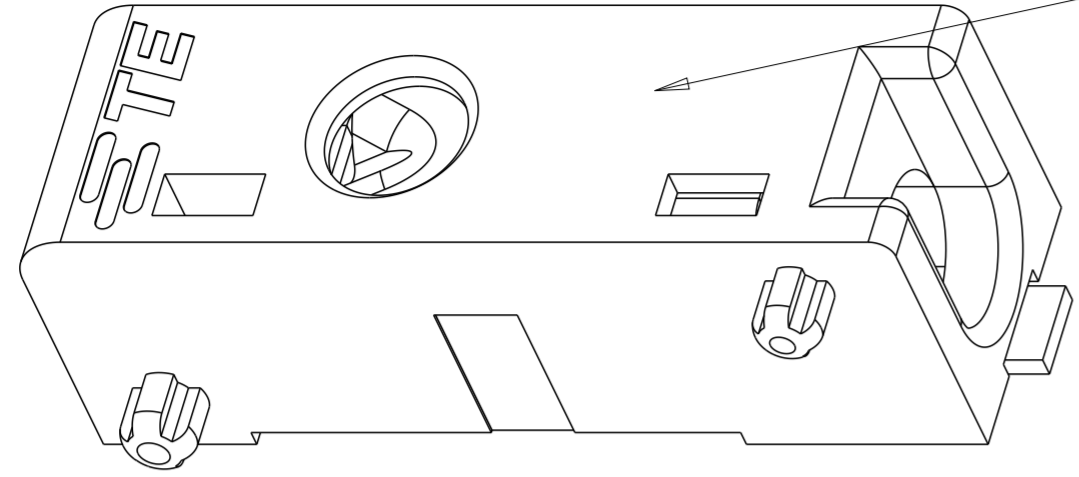


NORMAL 2P TYPE: 4-2834006-0

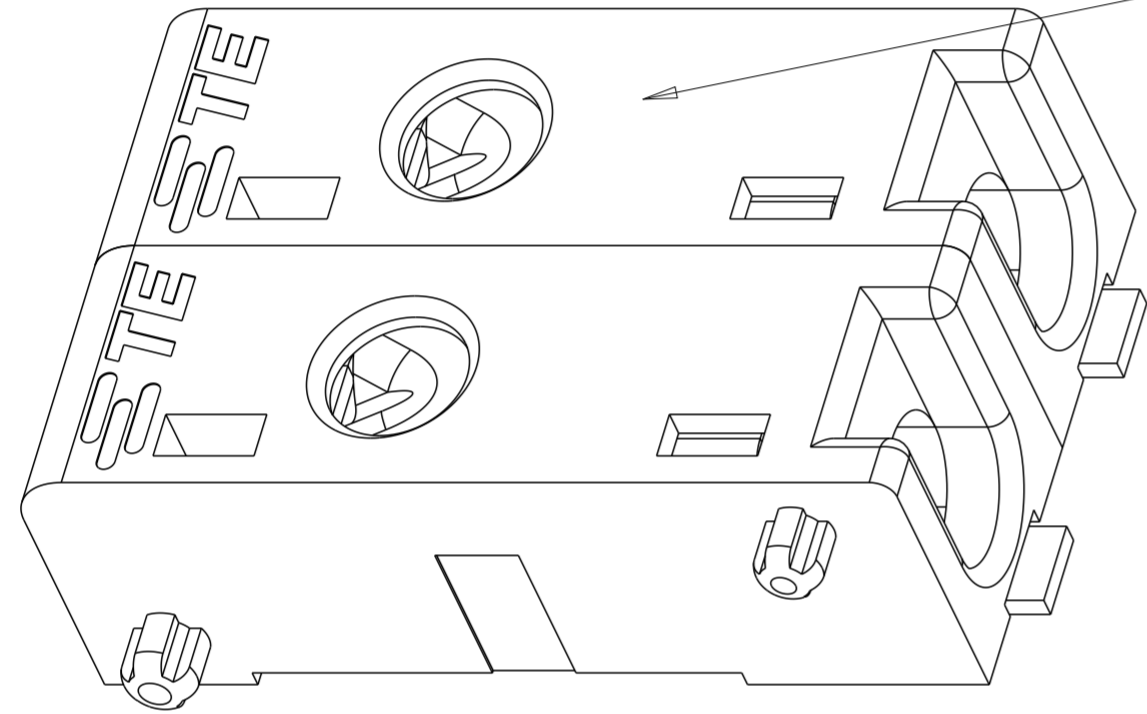
THIS DRAWING IS A CONTROLLED DOCUMENT.		DWN 06 JUNE 2023 CHENG ZHAO	TE Connectivity	
DIMENSIONS: mm		CHK 06 JUNE 2023 GEORGE FU		
TOLERANCES UNLESS OTHERWISE SPECIFIED:		APVD 06 JUNE 2023 SHI MING	NAME CONNECTOR ASSEMBLY RELEASABLE POKE-IN	
0 PLC ± 1 PLC ±0.2 2 PLC ±0.13 3 PLC ± 4 PLC ± ANGLES ± FINISH -		PRODUCT SPEC 108-137055	SIZE A2	CAGE CODE -
MATERIAL		APPLICATION SPEC 114-137055	DRAWING NO G-2834006	RESTRICTED TO
		WEIGHT -	SCALE 10:1	SHEET 1 OF 3
		CUSTOMER DRAWING	REV B7	

THIS DRAWING IS UNPUBLISHED. RELEASED FOR PUBLICATION 20
 © COPYRIGHT 20 BY - ALL RIGHTS RESERVED.

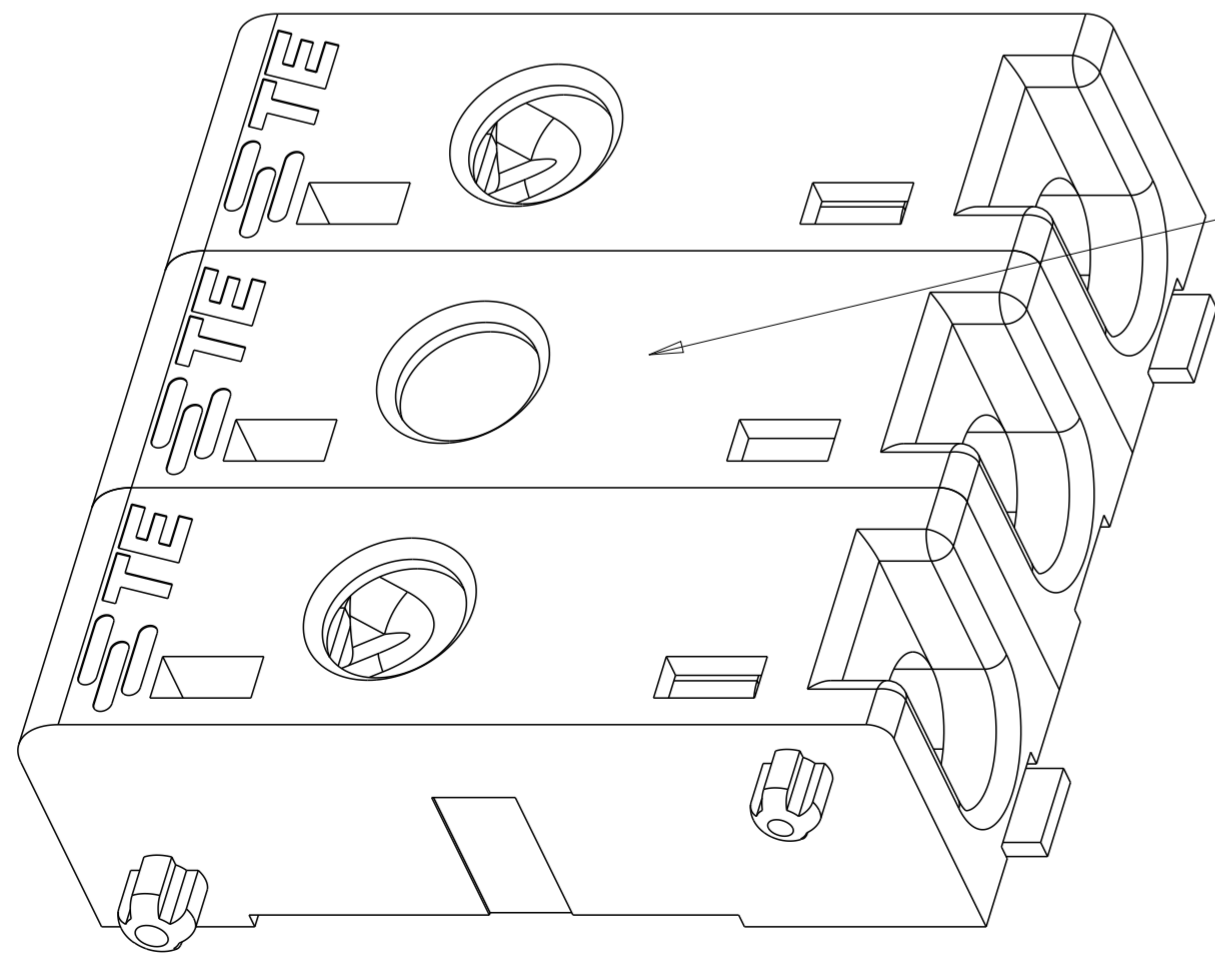
REVISIONS					
P	LTR	DESCRIPTION	DATE	DWN	APVD
-		SEE SHEET 1	-	-	-



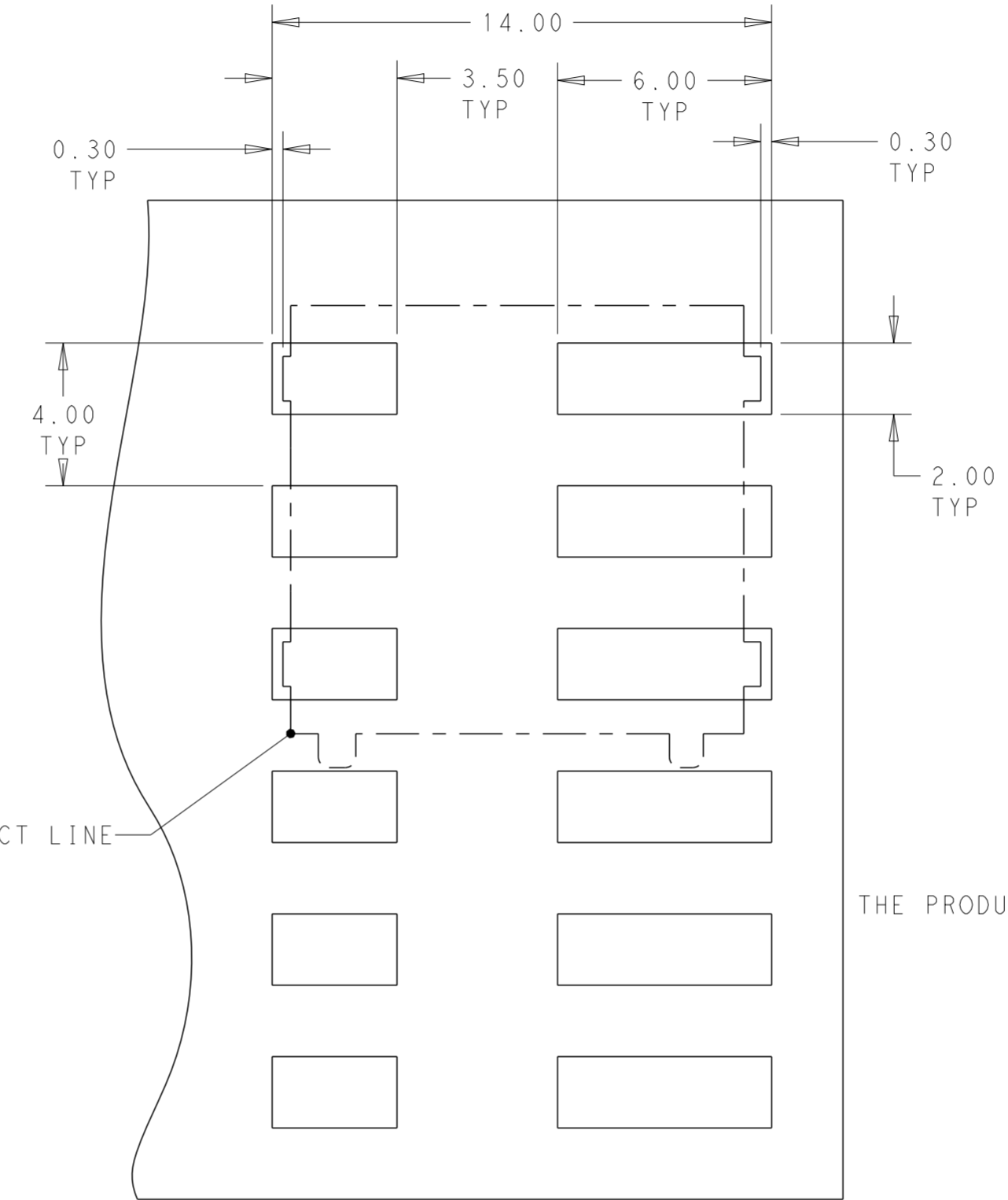
2834006-1
SCALE 10:1



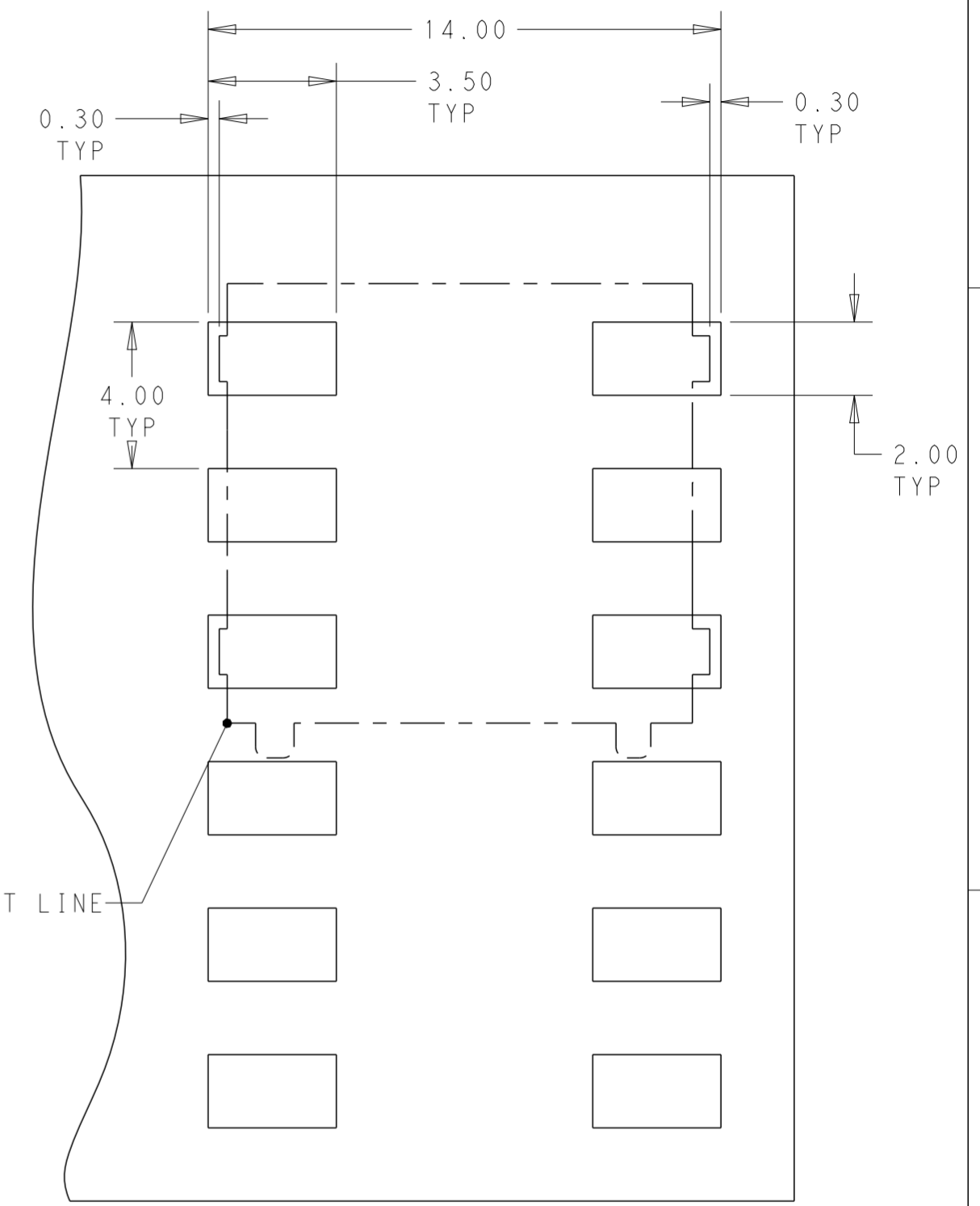
2834006-2
SCALE 10:1



1-2834006-2
SCALE 10:1



SCALE 6:1
RECOMMENDED PCB LAYOUT



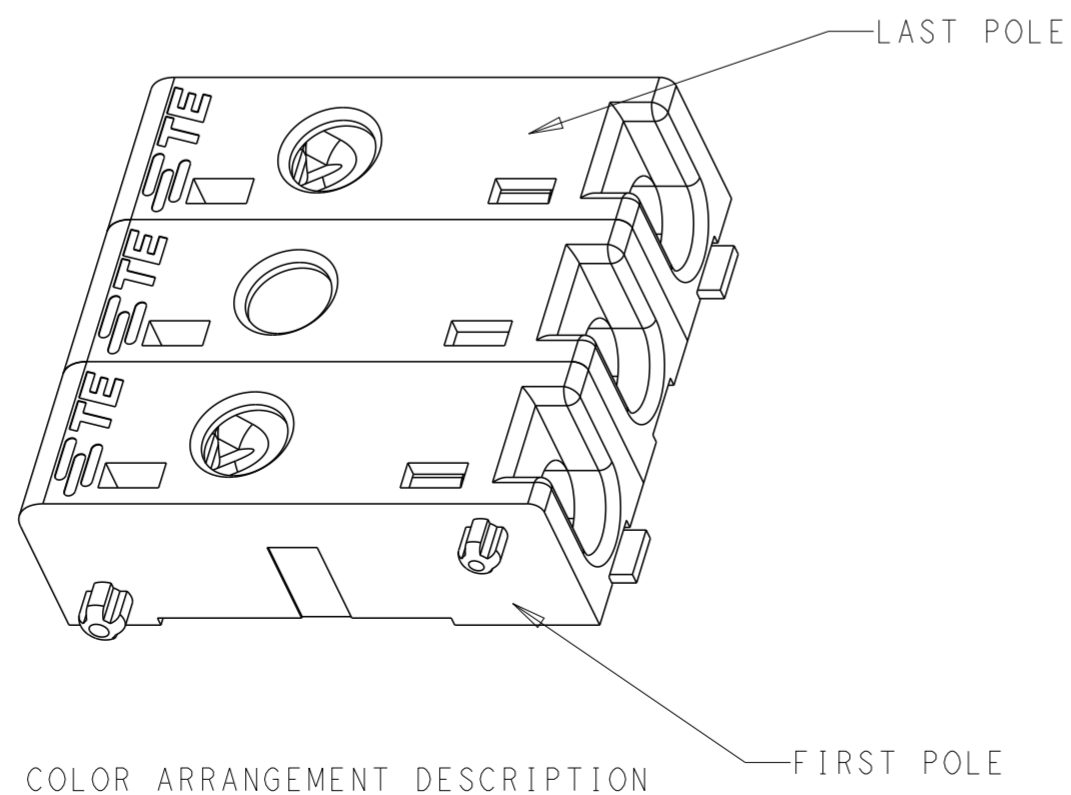
SCALE 6:1
OPTIONAL PCB LAYOUT

THIS DRAWING IS A CONTROLLED DOCUMENT.		DWN 06 JUNE 2023 CHENG ZHAO	TE Connectivity	
DIMENSIONS: mm		CHK 06 JUNE 2023 GEORGE FU		
TOLERANCES UNLESS OTHERWISE SPECIFIED:		APVD 06 JUNE 2023 SHI MING	NAME CONNECTOR ASSEMBLY RELEASABLE POKE-IN	
0 PLC ±		PRODUCT SPEC 108-137055	SIZE A2	
1 PLC ±0.2		APPLICATION SPEC 114-137055	CAGE CODE -	
2 PLC ±0.13		WEIGHT -	DRAWING NO C-2834006	
3 PLC ±		CUSTOMER DRAWING	RESTRICTED TO	
4 PLC ±		SCALE 10:1	SHEET 2 OF 3	
ANGLES ±			REV B7	
FINISH -				
MATERIAL SEE SHEET 1				

THIS DRAWING IS UNPUBLISHED. RELEASED FOR PUBLICATION 20
 © COPYRIGHT 20 BY - ALL RIGHTS RESERVED.

REVISIONS				
P	LTR	DESCRIPTION	DATE	APVD
		SEE SHEET 1		

20.00	5 HSG:3 POSN	-	-	-	-	5-2834006-0	6-2834006-0	7-2834006-0	8-2834006-0	-
	COLOR	-	-	-	-	BLACK/BLACK SPACER/ RED/RED SPACER/ NATURE	NATURE/BLACK SPACER/RED/BLACK SPACER/NATURE	RED/RED SPACER /NATURE/NATURE SPACER/BLACK	NATURE/NATURE SPACER/BLACK /BLACK SPACER/RED	-
20.00	5 Position	2834006-5	2-2834006-5	3-2834006-5	4-2834006-5	5-2834006-5	6-2834006-5	7-2834006-5	8-2834006-5	9-2834006-5
	COLOR	NATURE(ALL)	BLACK(ALL)	RED(ALL)	BRIGHT WHITE (ALL)	BLACK/NATURE /BLACK/NATURE/RED	BLACK/RED/NATURE /BLACK/RED	NATURE/BLACK/RED /NATURE/RED	BLACK/NATURE/RED /BLACK/NATURE	RED/BLACK/NATURE /RED/NATURE
16.00	4 POSITION	2834006-4	2-2834006-4	3-2834006-4	4-2834006-4	5-2834006-4	6-2834006-4	7-2834006-4	8-2834006-4	9-2834006-4
	COLOR	NATURE(ALL)	BLACK(ALL)	WHITE/BLACK /RED/YELLOW	BRIGHT WHITE (ALL)	BLACK/NATURE /BLACK/NATURE	BLACK/RED /BLACK/RED	NATURE/BLACK /NATURE/RED	NATURE/RED /BLACK/NATURE	BLACK/NATURE /RED/NATURE
12.00	3 HSG; 2 POSN	1-2834006-1	1-2834006-2	1-2834006-3	1-2834006-4	1-2834006-5	1-2834006-6	1-2834006-7	1-2834006-8	1-2834006-9
	COLOR	RED(ALL)	NATURE(ALL)	BLACK(ALL)	BRIGHT WHITE (ALL)	RED/NATURE SPACER /BLACK	BLAC/RED SPACER /NATURE	NATURE/RED SPACER /BLACK	BLACK/NATURE SPACER/RED	RED/BLACK SPACER /NATURE
12.00	3 POSITION	2834006-3	2-2834006-3	3-2834006-3	4-2834006-3	5-2834006-3	6-2834006-3	7-2834006-3	8-2834006-3	9-2834006-3
	COLOR	NATURE(ALL)	BLACK(ALL)	RED(ALL)	BRIGHT WHITE (ALL)	BLACK/NATURE/RED	NATURE/RED/BLACK	RED/BLACK/NATURE	PURPLE/GRAY/PURPLE	GRAY/PURPLE/GRAY
8.00	2 POSITION	2834006-2	2-2834006-2	3-2834006-2	4-2834006-2	5-2834006-2	6-2834006-2	7-2834006-2	8-2834006-2	9-2834006-2
	COLOR	NATURE(ALL)	BLACK(ALL)	RED(ALL)	BRIGHT WHITE (ALL)	NATURE/RED	NATURE/BLACK	RED/BLACK	BLACK/NATURE	BLACK/RED
8.00	2 POSITION	1-2834006-0	2-2834006-0	3-2834006-0	4-2834006-0	-	-	-	-	-
	COLOR	GRAY/BLUE	BROWN/YELLOW	NATURE(ALL) (PEG CUT)	NATURE	-	-	-	-	-
4.00	1 POSITION	2834006-1	2-2834006-1	3-2834006-1	4-2834006-1	5-2834006-1	6-2834006-1	7-2834006-1	-	-
	COLOR	NATURE	BLACK	RED	BRIGHT WHITE	NATURE/PEG CUT	BLUE	GREEN	-	-
DIM A	POSITION No	PART No								



THIS DRAWING IS A CONTROLLED DOCUMENT.		DWN 06 JUNE 2023 CHENG ZHAO	TE Connectivity	
DIMENSIONS: mm		CHK 06 JUNE 2023 GEORGE FU		
TOLERANCES UNLESS OTHERWISE SPECIFIED:		APVD 06 JUNE 2023 SHI MING	NAME CONNECTOR ASSEMBLY RELEASABLE POKE-IN	
		PRODUCT SPEC 108-137055	RESTRICTED TO	
MATERIAL		APPLICATION SPEC 114-137055	SIZE A2	CAGE CODE -
		WEIGHT -	DRAWING NO C-2834006	SCALE 10:1
		CUSTOMER DRAWING	SHEET 3 OF 3	REV B7