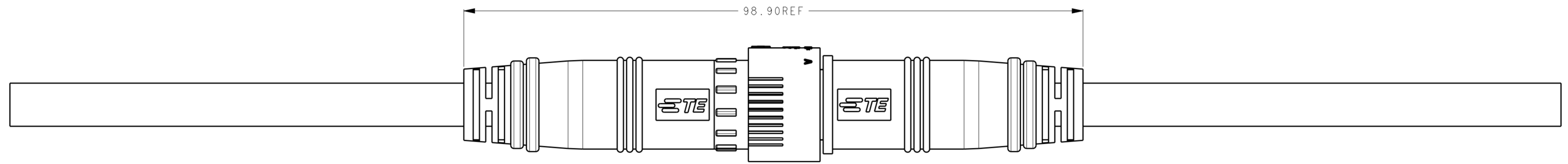
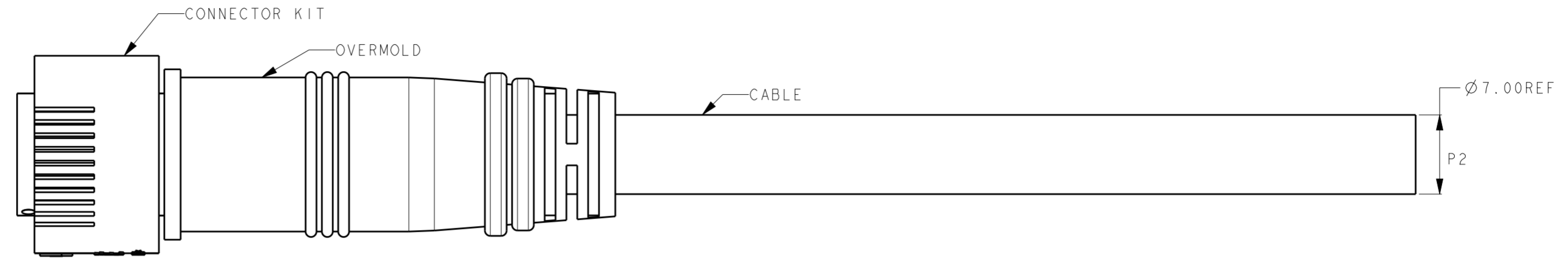
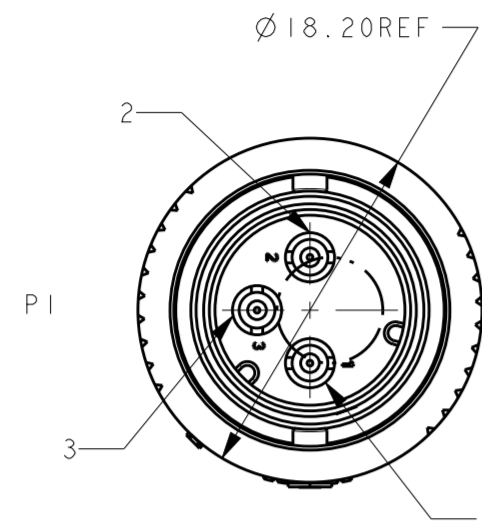


THIS DRAWING IS UNPUBLISHED. RELEASED FOR PUBLICATION 20
 © COPYRIGHT 20 BY - ALL RIGHTS RESERVED.

LOC	DIST	REVISIONS			
P	LTR	DESCRIPTION	DATE	DWN	APVD
-	-	A1	UPDATE TABLE	16APR2015	M.S X.X
		B	ECR-16-015004	25OCT2016	M.S X.X
		B1	ECR-17-000249	05JAN2017	M.S X.X
		C	ECR-19-006815	17MAY2019	F.F M.S



MATE WITH 2834003 SERIES

WIRING DIAGRAM		
P1	WIRE COLOR	P2
PI-1	RED	-
PI-2	BLACK	-
PI-3	BROWN	-

NOTES:
 1. MATE WITH 2834003 SERIES.
 2. RATINGS:
 VOLTAGE: 300V AC/DC
 CURRENT: 6A MAX.
 TEMPERATURE: 80°C

P/N	CABLE	DIM A	L (mm)
9-2834002-1	RUBBER (THERMOPLASTIC ELASTOMER TYPE)	Ø8.0	150±5
9-2834002-2			250±10
9-2834002-3			500±15
9-2834002-4			1000±15

OBSOLETE

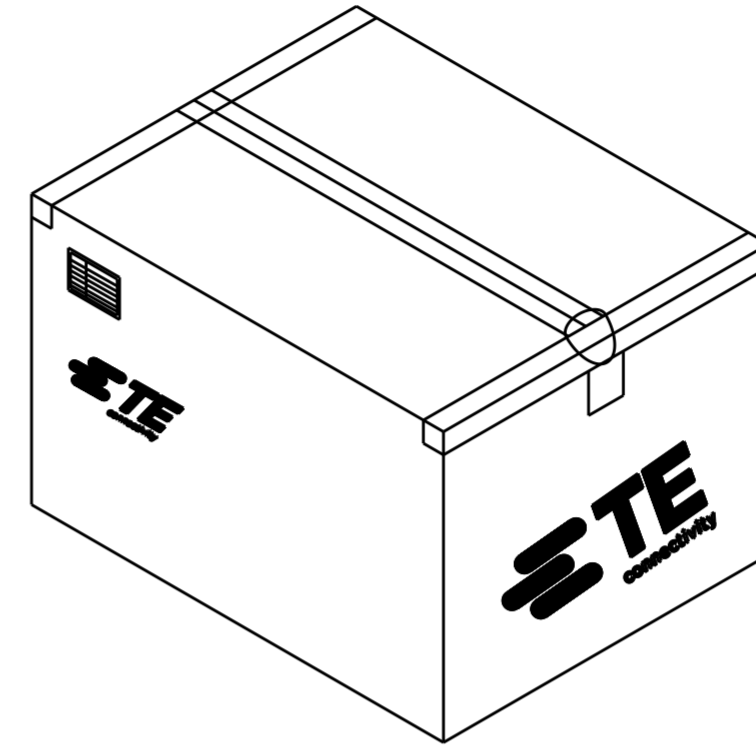
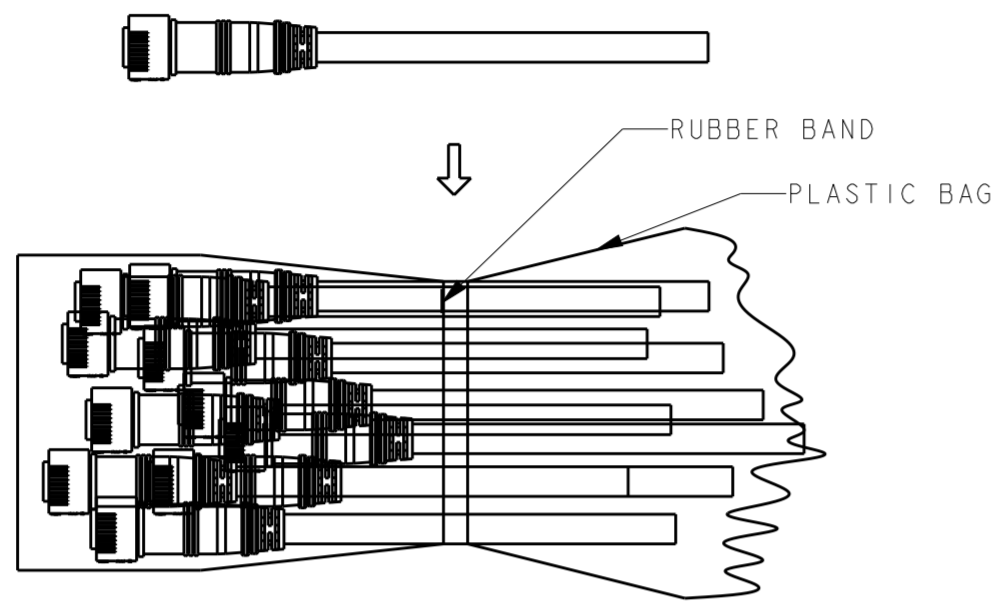
THIS DRAWING IS A CONTROLLED DOCUMENT.		DWN: FRANK FAN 17MAY2019	STE TE Connectivity	
DIMENSIONS: mm		CHK: GEORGE FU 17MAY2019		
TOLERANCES UNLESS OTHERWISE SPECIFIED:		APVD: MING SHI 17MAY2019	NAME: 3P MALE CABLE ASSEMBLY CIRCULAR LIGHTING SEALED CONN.	
0 PLC ±-	1 PLC ±1.0	PRODUCT SPEC: 108-137041	RESTRICTED TO: -	
2 PLC ±0.5	3 PLC ±-	APPLICATION SPEC: 114-137041	SIZE: A2	CAGE CODE: -
4 PLC ±-	ANGLES ±-	WEIGHT: -	DRAWING NO: C-2834002	REV: C
MATERIAL: -		Customer Drawing	SCALE: 1:2	SHEET 1 OF 2

THIS DRAWING IS UNPUBLISHED. RELEASED FOR PUBLICATION 20
 © COPYRIGHT 20 BY - ALL RIGHTS RESERVED.

LOC		DIST		REVISIONS			
P	LTR	DESCRIPTION	DATE	DWN	APVD		
-	-	SEE SHEET 1	-	-	-		

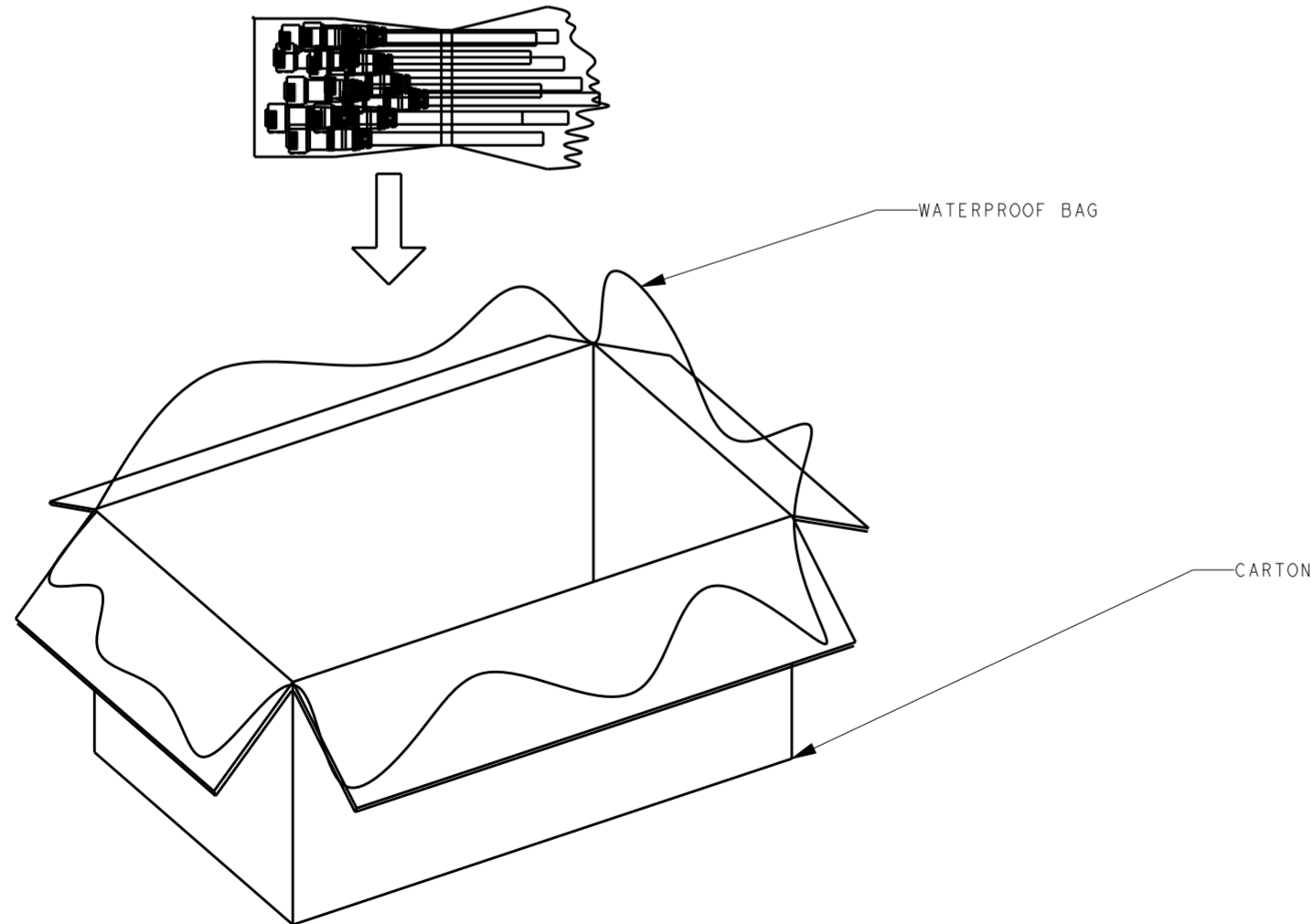
1. PUT PIECES OF PARTS INTO THE PLASTIC BAG, AND SEALED WITH RUBBER BAND AS 1 BUNCH.

3. SEAL THE CARTON.



2. PUT BUNCHES OF PARTS INTO CARTON.

4. PACKAGING QUANTITIES(REFER SHEET 1 FOR PN DEFINITION):



P/N	PARTS PER CARTON (PCS)
9-2834002-1	500
9-2834002-2	260
9-2834002-3	90
9-2834002-4	60

OBSOLETE

THIS DRAWING IS A CONTROLLED DOCUMENT.		DWN 17MAY2019 FRANK FAN	STE TE Connectivity	
DIMENSIONS: mm		CHK 17MAY2019 GEORGE FU		
TOLERANCES UNLESS OTHERWISE SPECIFIED:		APVD 17MAY2019 MING SHI	NAME 3P MALE CABLE ASSEMBLY CIRCULAR LIGHTING SEALED CONN.	
0 PLC ± 1 PLC ±1.0 2 PLC ±0.5 3 PLC ± 4 PLC ± ANGLES ± FINISH		PRODUCT SPEC 108-137041	SIZE A2	CAGE CODE -
MATERIAL		APPLICATION SPEC 114-137041	DRAWING NO C-2834002	RESTRICTED TO -
-		WEIGHT -	SCALE 1:2	SHEET 2 OF 2 REV C
-		Customer Drawing		