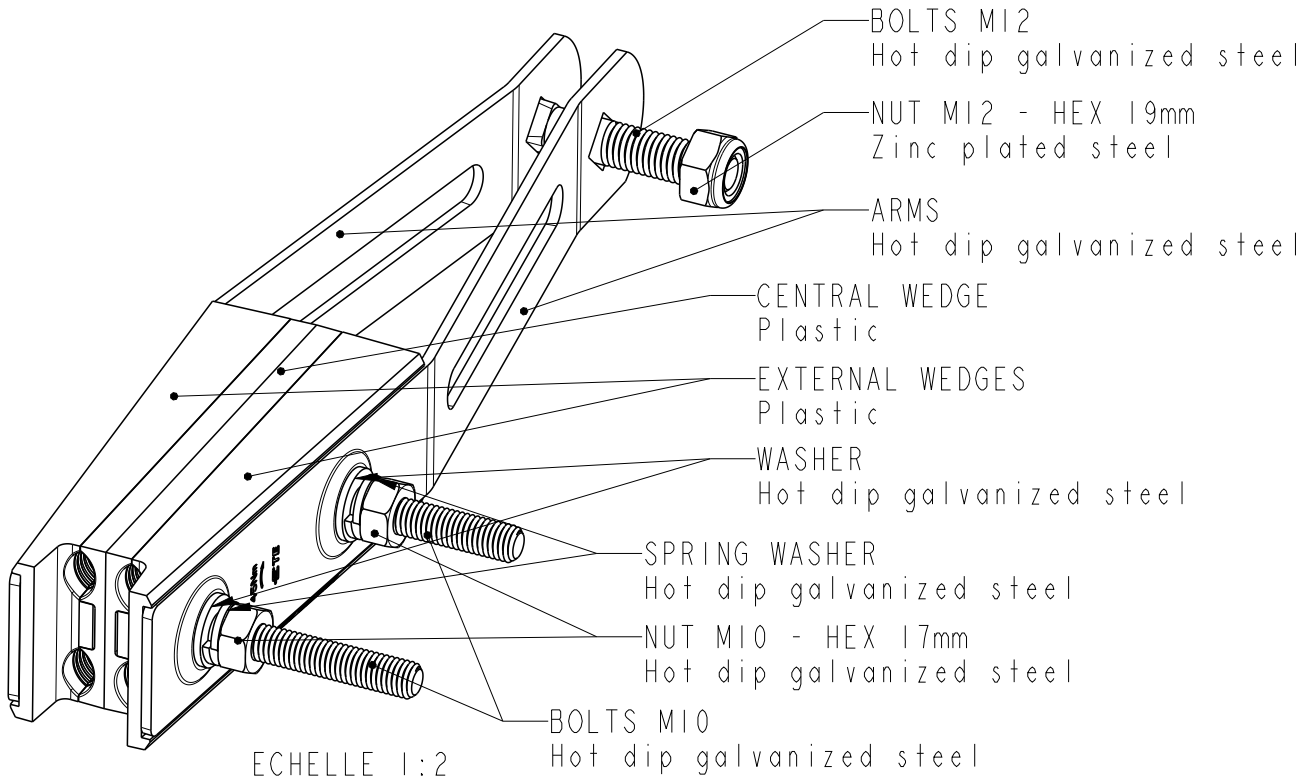
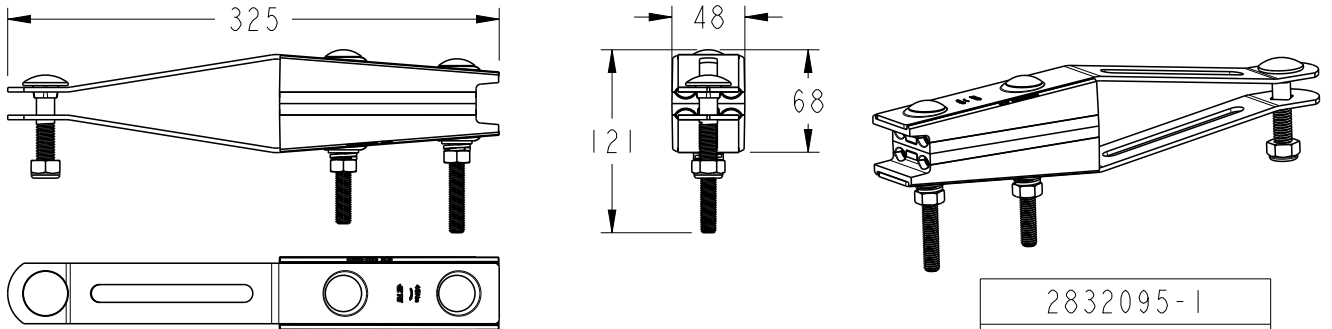


REVISIONS				
P	LTR REV	DESCRIPTION MODIFICATIONS	DATE	DWN DESS. APV D APP.
		Creation	10SEP2015	JD AG



DESIGNATION	PN	CAPACITIES	WEIGHT	TIGHTENING TORQUE
PA4x50-95(120) FA	2832095-1	4x50mm <sup>2</sup> to 4x95mm <sup>2</sup> (4x120mm <sup>2</sup> *)	1.1kg	45Nm

\* LV ABC cable 4x120mm<sup>2</sup> can be also installed but the mechanical load shall be limited to 45kN.



2832095-1  
PART NUMBER

MARQUAGE : LOGO, CAPACITE, COUPLE DE SERRAGE, N° LOT  
 MARKING : LOGO, CAPACITIES, TIGHTENING TORQUE, BATCH NUMBER

TOLERANCES UNLESS OTHERWISE SPECIFIED:	-
TOLERANCES NON SPECIFIEES:	-
FINISH FINITION	-

DIMENSIONS:	DWN/DESSINE	10SEP2015
mm	J. Dossmann	
TOLERANCES UNLESS OTHERWISE SPECIFIED: TOLERANCES NON SPECIFIEES (SUIV NB DE DECIMALES): 0 PLC/DEC: ±0 1 PLC/DEC: ±0.1 2 PLC/DEC: ±0.2 3 PLC/DEC: ±0.3 4 PLC/DEC: ±0.4 ANGLES ±-	CHK/VERIFIE	14DEC2015
	G. Nedellec	
	APVD/APPROUVE	14DEC2015
	A. Guichard	
	PRODUCT SPEC/SPEC. PRODUIT	
	SPEC. PRODUIT	
	APPLICATION SPEC	
	SPEC. APPLICATION	

MATERIAL MATIERE	-
NAME TITRE	PA4x50-95(120) FA
SIZE FORMAT	A4
CAGE CODE	-
DRAWING NO No PLAN	C=2832095
WEIGHT MASSE APPROX.	1.1kg

TE Connectivity

RESTRICTED TO RESERVE A	-
CUSTOMER DRAWING /PLAN CLIENT	UNIQUEMENT POUR REFERENCE
SCALE ECHELLE 1:5	SHEET FEUILLE 1 OF DE 1
REV A	

2011  
RELEASED FOR PUBLICATION  
LIBRE A LA DIFFUSION

ALL RIGHTS RESERVED.  
TOUS DROITS RESERVES.

THIS DRAWING IS UNPUBLISHED.  
DIFFUSION RESTREINTE AMP  
BY -  
COPYRIGHT 2011