

THIS DRAWING IS UNPUBLISHED.
DIFFUSION RESTREINTE

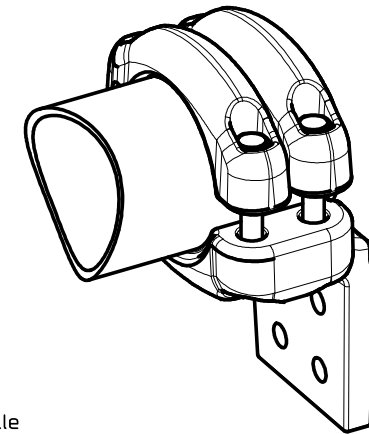
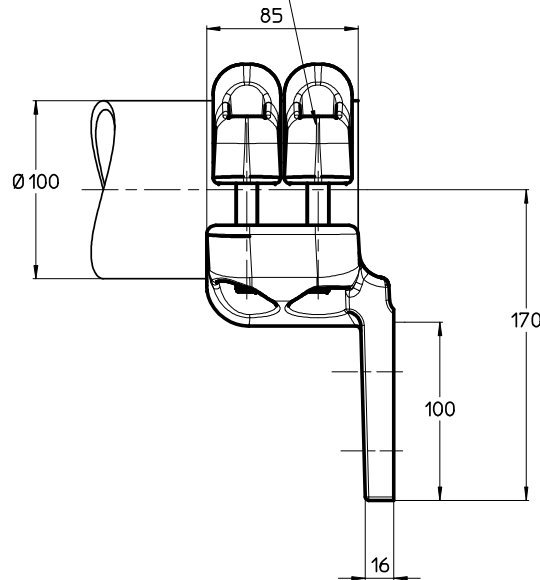
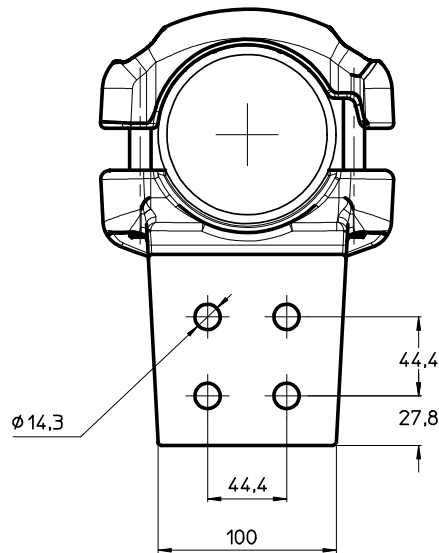
RELEASED FOR PUBLICATION
LIBRE A LA DIFFUSION 2011

© COPYRIGHT 2011 by Tyco Electronics Corporation

ALL RIGHTS RESERVED.
TOUS DROITS RESERVES

LOC	DIST	P	LTR REV	DESCRIPTION MODIFICATIONS	DATE	DWN DESS	APVD APPR
-	-	1		CREATION	08-Oct-14	GL	-
		A		UPDATED DRAWING	27-Jul-15	GL	-

M12 Stainless steel bolts: 60Nm
Boulons M12 acier inoxydable: 60Nm



No scale
Sans échelle

ITEM:

THIS DRAWING IS A CONTROLLED DOCUMENT. CE PLAN EST UN DOCUMENT CONTROLE PAR TYCO ELECTRONICS CORPORATION IL EST SUSCEPTIBLE D'ETRE REVISE. POUR OBTENIR LA DERNIERE VERSION CONTACTER LE SERVICE TECHNIQUE DE TYCO ELECTRONICS SIMEL SAS 2020 GENEVY-CHARENTAIS, FRANCE		DWN /DESSINE LAFORGE	08-Oct-14	STE <i>TE connectivity</i> SIMEL PRODUCTS
DIMENSIONS: mm		CHK/VERIFIE -	NAME TITRE	
TOLERANCES UNLESS OTHERWISE SPECIFIED PER TOLERANCES NON SPECIFIEES SELON :-		APVD/APPROUVE -	PRODUCT SPEC SPEC. PRODUIT 108-69090-001	BUSBAR CONNECTOR TO VERTICAL PAD RACCORD TUBE SUR PLAGE VERTICALE 5 TTPE 82 T100 100X16 C290
APPLICATION SPEC SPEC. APPLICATION -		SIZE FORMAT A3	CAGE CODE 00779	
MATERIAL MATIERE -	FINISH FINITION -	APPROX. WEIGHT MASSE APPROX. 2.8kg	DRAWING NO No PLAN C=2830944	RESTRICTED TO RESERVE A -
CUSTOMER DRAWING /PLAN CLIENT		UNIQUEMENT POUR REFERENCE	SCALE ECHELLE 1/3	SHEET FEUILLE 1 OF DE 1
			REV A	