

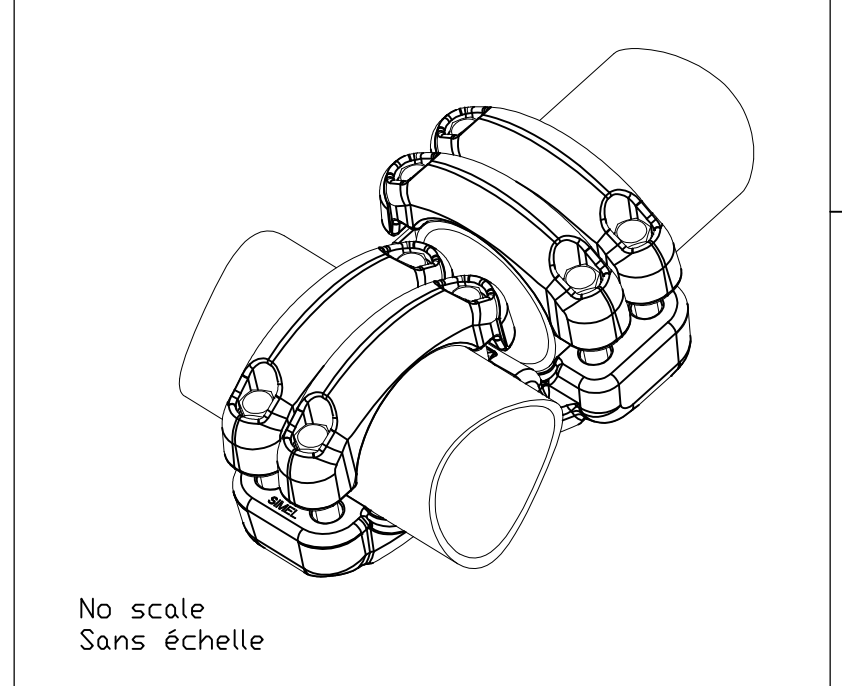
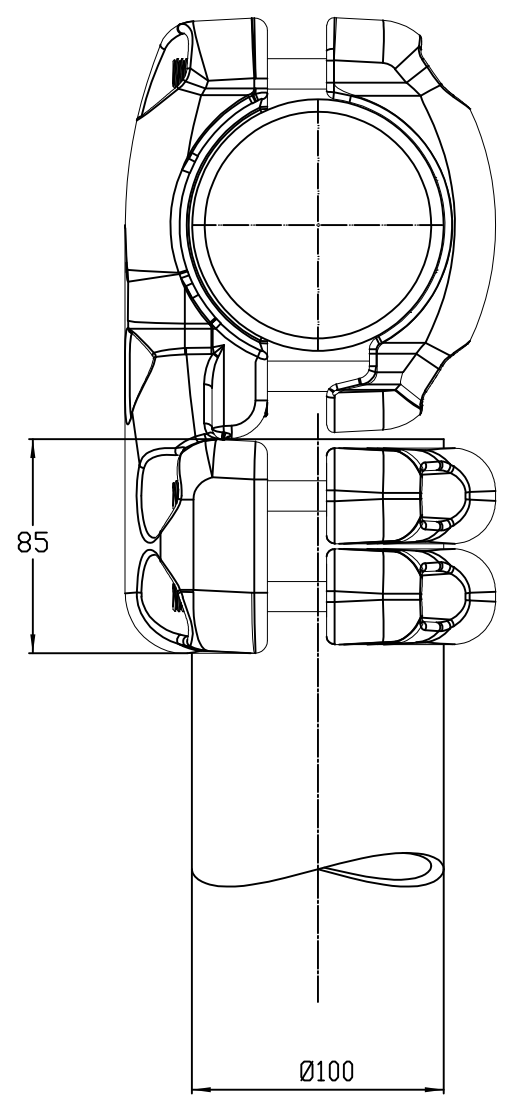
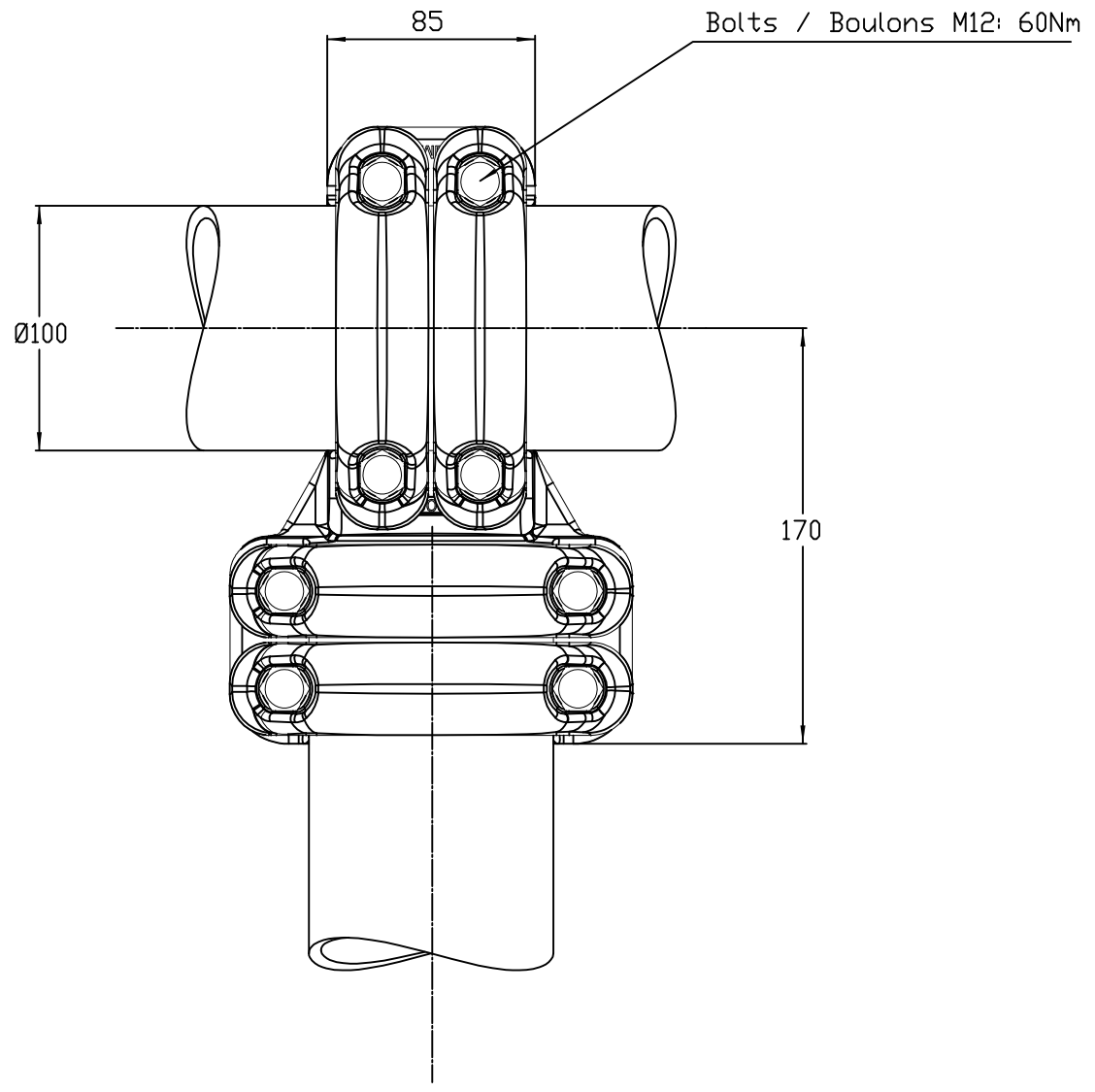
THIS DRAWING IS UNPUBLISHED.
 DIFFUSION RESTREINTE

RELEASED FOR PUBLICATION
 LIBRE A LA DIFFUSION

2011

© COPYRIGHT 2011 by Tyco Electronics Corporation
 ALL RIGHTS RESERVED.
 TOUS DROITS RESERVES

LOC	DIST	REVISIONS			
P	LTR REV	DESCRIPTION MODIFICATIONS	DATE	DWN DESS	APVD APPR
-	-	A	CREATION	27-Jul-14	PG -
		B	UPDATED DRAWING	07-Oct-14	GL -



CONNECTOR - RACCORD	
CONNECTOR MATERIAL - MATIERE RACCORD	Al
BOLT - VISSERIE	Stainless Steel - Inox
VOLTAGE - TENSION	420 kV
RATED CURRENT - In	3150 A
SHORT TIME CURRENT - Icc	40 kA/3s - 63 kA/1s

PROJECT - PROJET	
VOLTAGE - TENSION	
CUSTOMER - CLIENT	

FIXATION:

THIS DRAWING IS A CONTROLLED DOCUMENT. <small>CE PLAN EST UN DOCUMENT CONTROLE PAR TYCO ELECTRONICS CORPORATION IL EST SUSCEPTIBLE D'ETRE REVISE. POUR OBTENIR LA DERNIERE REVISION, CONTACTER LE SERVICE TECHNIQUE DE TYCO ELECTRONICS SIMEL SAS, 21220 GEVREY-CHAMBERTIN, FRANCE.</small>		DWN /DESSINE LAFORGE	07-Oct-14
DIMENSIONS: mm		CHK/VERIFIE	-
TOLERANCES UNLESS OTHERWISE SPECIFIED PER TOLERANCES NON SPECIFIEES SELON : -		APVD/APPROUVE	-
MATERIAL MATIERE -		PRODUCT SPEC SPEC. PRODUIT	108-69090-001
FINISH FINITION -		APPLICATION SPEC SPEC. APPLICATION	-
		APPROX. WEIGHT MASSE APPROX.	4.23 kg

TE *TE connectivity*
SIMEL PRODUCTS

NAME TITRE: 90° DERIVATION CONNECTOR FOR Ø100 TUBE
 RACCORD EN TE POUR TUBE Ø100
 5 TD 82 T100

SIZE FORMAT	CAGE CODE	DRAWING NO No PLAN	RESTRICTED TO RESERVE A
A3	00779	©=2830511	-

CUSTOMER DRAWING /PLAN CLIENT UNIQUEMENT POUR REFERENCE SCALE ECHELLE 1/3 SHEET FEUILLE 1 OF DE 1 REV B

ITEM:.....