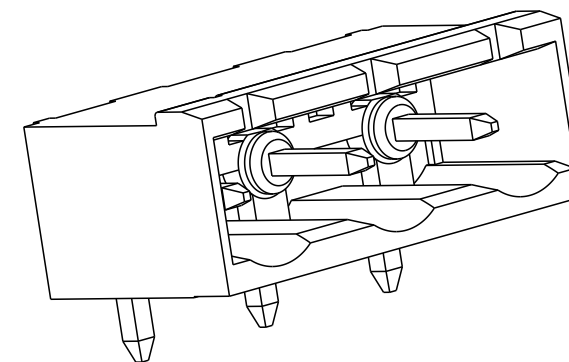
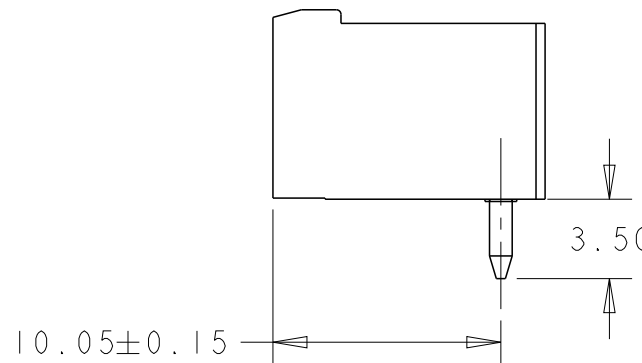
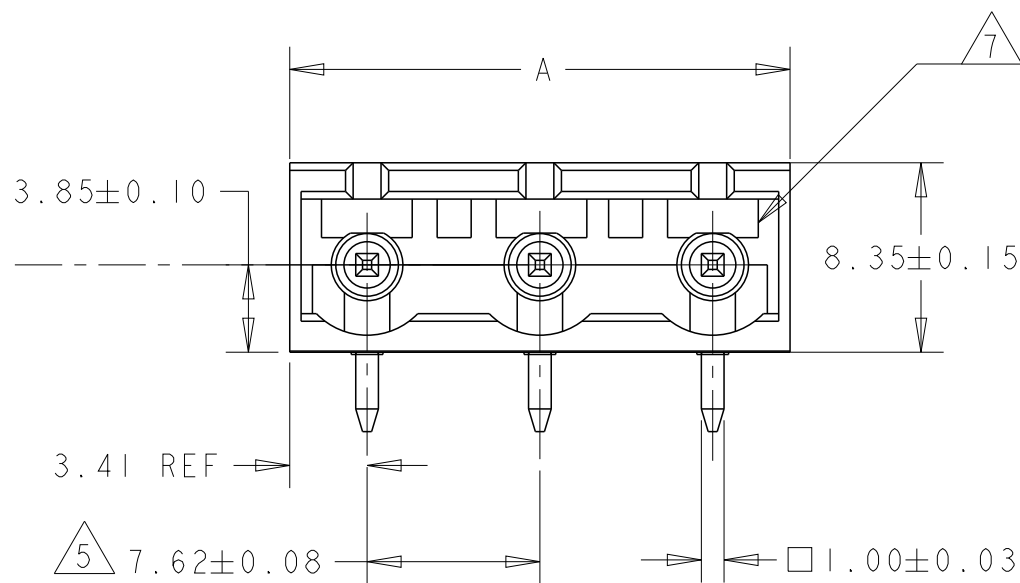
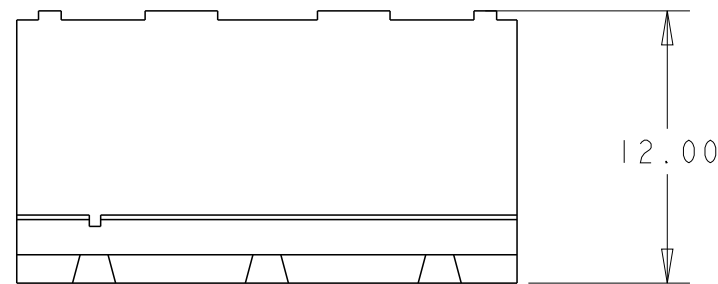


P	LTR	DESCRIPTION	DATE	DWN	APVD
D1		REVISED PER ECO-12-007964	02MAY2012	KH	MS
D2		ADDED THE NOTE 7 AND 8	22NOV2023	SP	PS
D3		DIMENSION CHANGED TO 10.05 ±0.15mm	13DEC2023	SP	PS

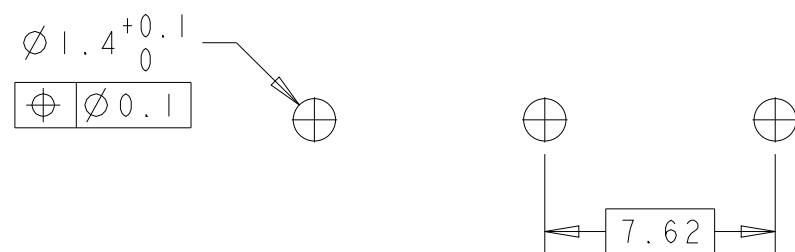


282966-3 AS SHOWN

NOTES:

- 1 MATERIALS AND FINISH
HOUSING: PA 6-6, UL 94-V0, COLOR GREEN.
TERMINAL: COPPER ALLOY, TIN PLATED OVER NICKEL UNDERPLATE
- 2 SUITABLE FOR 1,6-2,4mm PC BOARD THICKNESS.
- 3 RECOGNIZED UNDER THE COMPONENT PROGRAM OF UNDERWRITERS LABORATORIES INC., FILE N° E60677.
- 4 NOTE DELETED
- 5 NOT CUMULATIVE TOLERANCE.
- 6 30u" GOLD PLATING IN MATING AREA OF PIN
- 7 SHOWN AS FOR REFERENCE, THESE FEATURES DO NOT HAVE ANY IMPACT ON THE FUCTION OF THE PRODUCT.
- 8 PACKAGING : BULK/BOX PACK PER 107-160052

6	60.16	8	3-282966-8
6	44.92	6	3-282966-6
	90.64	12	1-282966-2
	83.02	11	1-282966-1
	75.40	10	1-282966-0
	67.78	9	282966-9
	60.16	8	282966-8
	52.54	7	282966-7
	44.92	6	282966-6
	37.30	5	282966-5
	29.68	4	282966-4
	22.06	3	282966-3
	14.44	2	282966-2
DIM. A		N° OF POS.	PART NUMBER



RECOMMENDED PC BOARD LAYOUT

THIS DRAWING IS A CONTROLLED DOCUMENT.		DWN E. ZANOLINI 18 JUL 2001	TE Connectivity	
DIMENSIONS: mm		CHK D. BIEVENOUR 18 JUL 2001		
TOLERANCES UNLESS OTHERWISE SPECIFIED:		APVD D. BIEVENOUR 18 JUL 2001	NAME TERMINAL BLOCK HEADER ASSEMBLY 90 DEGREE CLOSED ENDS 7.62 mm PITCH	
0 PLC ±- 1 PLC ±0.2 2 PLC ±0.25 3 PLC ±- 4 PLC ±- ANGLES ±2°		PRODUCT SPEC 108-161088	SIZE A3	
MATERIAL		APPLICATION SPEC 114-20079	CAGE CODE 00779	DRAWING NO 282966
FINISH		WEIGHT -	RESTRICTED TO -	
		CUSTOMER DRAWING	SCALE 3:1	SHEET 1 OF 1
			REV D3	