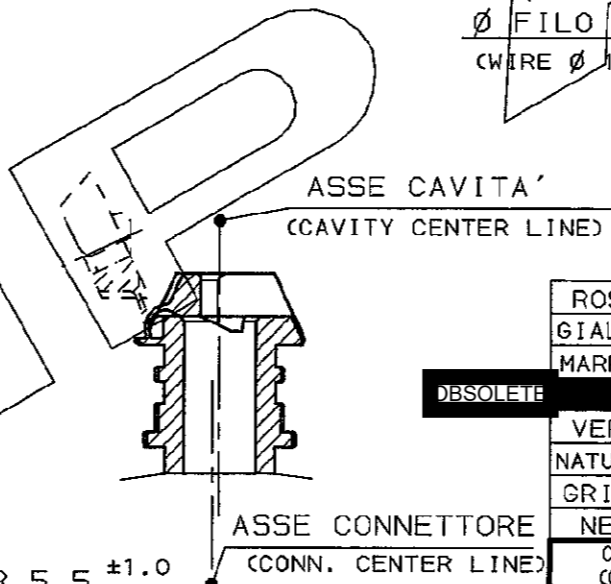
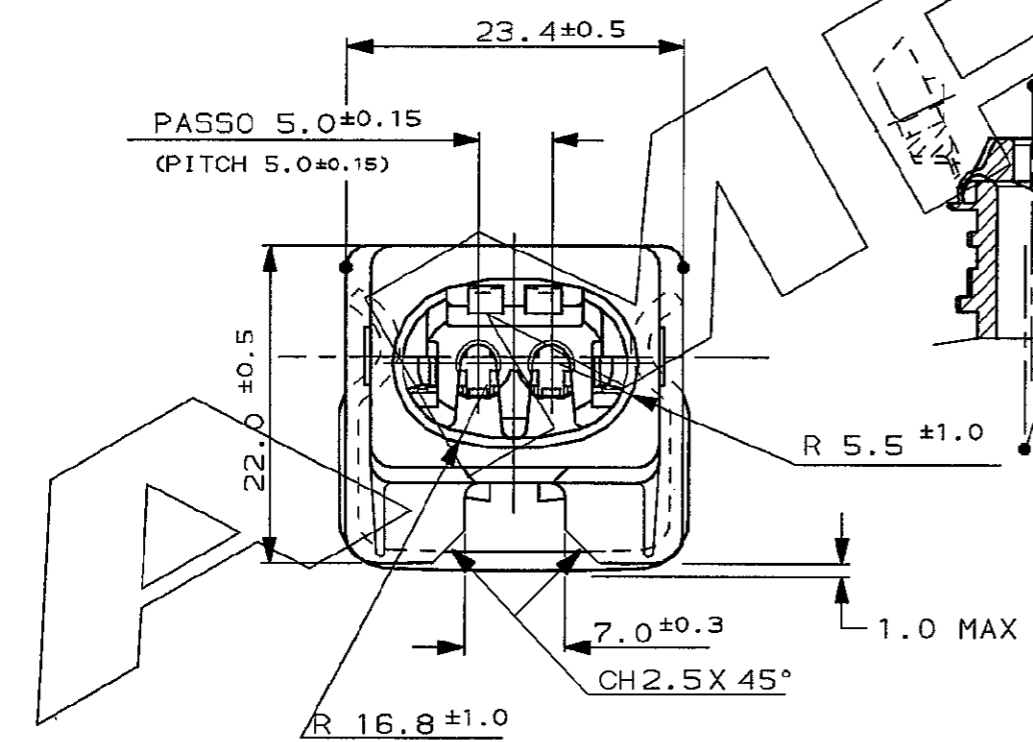
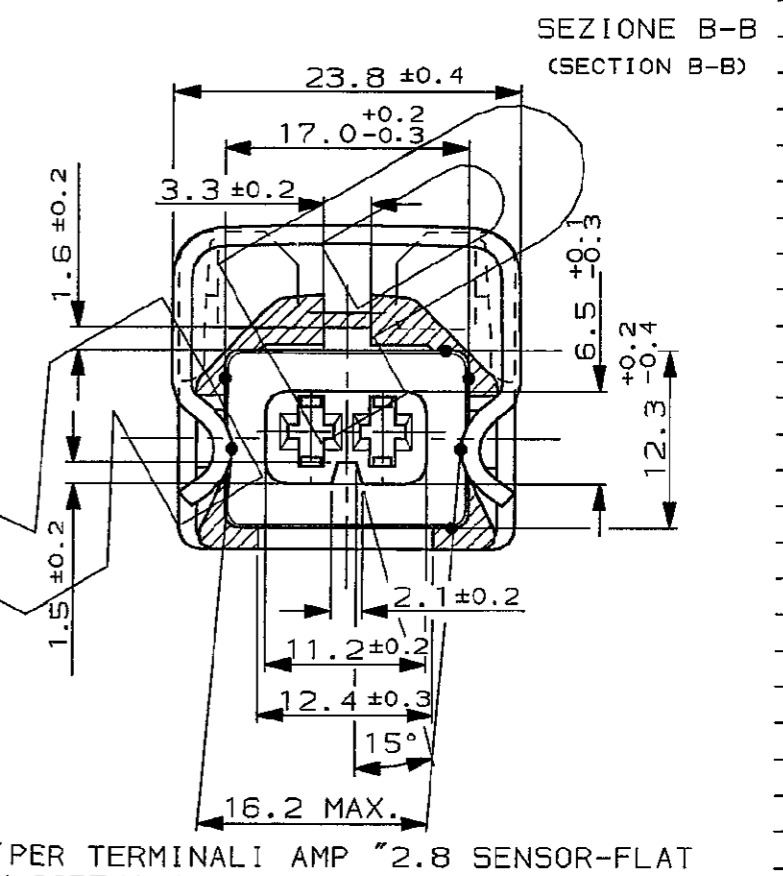
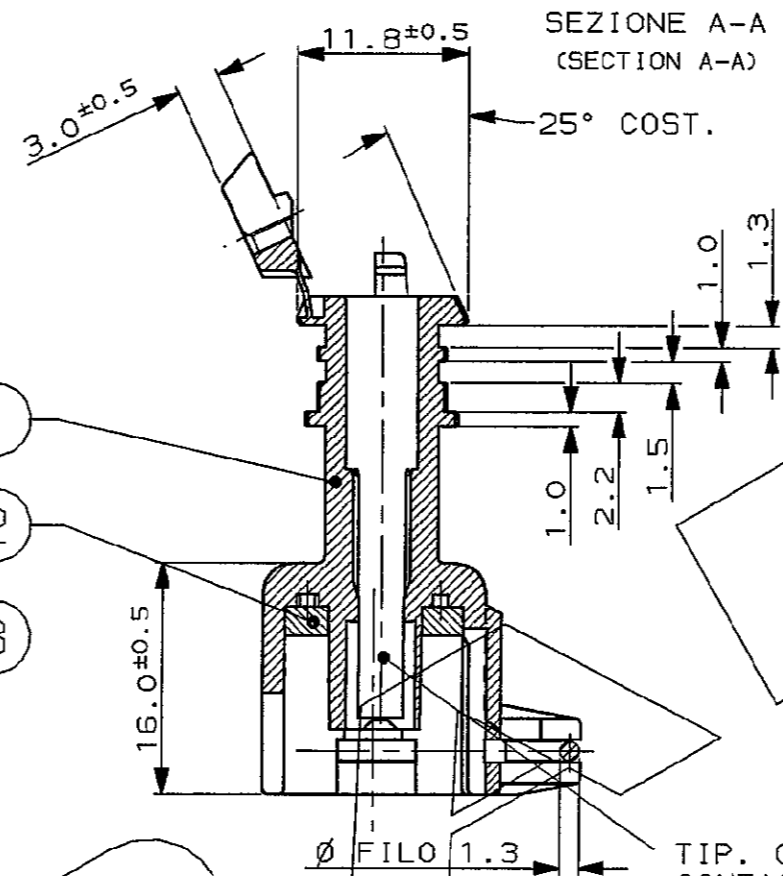
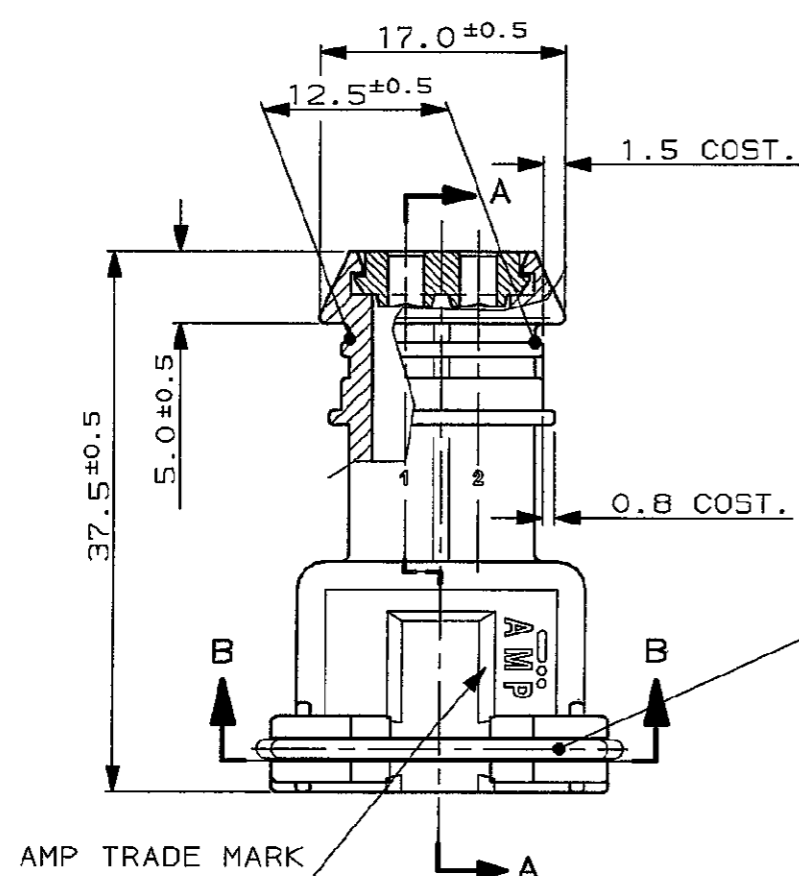


CONNETTORE TIPO A (CON MOLLA DI RITEGNO ESTERNA)

SCALA NON IMPEGNATIVA  
(DO NOT SCALE)  
DIMENSIONI IN mm  
(DIMENSIONS IN)

METRIC

PROIEZIONE EUROPEA  
(EUROPEAN PROJECTION)



TIP. CAVITA' PER TERMINALI AMP "2.8 SENSOR-FLAT CONTACT" P/N 967541-1, 967542-1, 967543-1 E RELATIVI GOMMINI AMP P/N 828904-1, 828905-1, 828536-1.  
TAPPO CAVITA' P/N 828906-2  
(TYP. CAV. FOR 2.8 SENSOR-FLAT CONTACT P/N 967541-1, 967542-1, 967543-1 AND REL. SINGLE WIRE SEAL P/N 828904-1, 828905-1, 828536-1 CAVITY PLUG P/N 828906-2)

ROSSO (RED)	282956-8
GIALLO (YELLOW)	282956-7
MARRONE (BROWN)	282956-6
<b>OBSOLETO</b>	
VERDE (GREEN)	282956-4
NATURALE (NATUR)	282956-3
GRIGIO (GREY)	282956-2
NERO (BLACK)	282956-1

3	///////	ACCIAIO INOX (STAINLESS STEEL)	MOLLA (SPRING)
2	NATURALE (NATURAL)	GOMMA SILICONE (SILICONE RUBBER)	GUARNIZIONE (SEALING)
1	///////	PA 6.6	BLOCCHETTO (HOUSING)

COLORE (COLOR)	NUMERO (PART N°)	N° (ITEM)	FINITURA / COLORE (FINISH / COLOUR)	MATERIALE (MATERIAL)	DESCRIZIONE (DESCRIPTION)
		CUSTOMER DWG. FOR REFERENCE ONLY		DISEGNO PER CLIENTE SOLO PER RIFERIMENTO	
		THIS DRAWING IS UNPUBLISHED		RELEASE FOR PUBLICATION 19	
© COPYRIGHT 19 BY AMP INCORPORATED, HARRISBURG, PA. ALL INTERNATIONAL RIGHT RESERVED. AMP PRODUCTS MAY BE COVERED BY U.S. AND FOREIGN PATENT AND/OR PATENT PENDING					
TOLLERANZE, SE NON DIVERSAMENTE SPECIFICATO (TOLERANCES, UNLESS OTHERWISE SPECIFIED)			DIAM. ISOLANTE (INS. DIA. RANGE)	RANGO FILO (WIRE RANGE)	SCALA (SCALE)
			1.4-3.0 (RED. INS. CABLE)	0.35-2.5 mm <sup>2</sup>	---
			± 0.3		
			± 2°		
D1	REVISED PER ECN-24-258764	04 APR 2024	ANGOLI (ANGLES)		
D	ECR-14-003472	24 MAR 2014	DIS. 24 MAY 96		
C	REVISED PER ECR-09-010409	07 MAY 2009	CONT. A. BAJ		
B	REVISED IN PRODUCT. E100-0185-97	25 JUN 1997	CONT. 24 MAY 96		
A	PRIMA EMISSIONE PER EC E100-0299-96	25 JUN 1996	CONT. 24 MAY 96		
REV. (REV. NO.)	REVISIONI (REVISION RECORD)	DIS. DATA (DATE)	APP. (APP.)		
			LOC. SIZE (LOC. NO.)	NUMERO (CNS NO.)	REV. (REV. NO.)
			I A3	C-282956	D1
			DESCRIZIONE (DESCRIPTION)		
			2 POS. SPLASH PROOF CONN. ASS'Y FOR 2.8 SENSOR-FLAT CONTACT		
			LOC. SIZE (LOC. NO.)	NUMERO (CNS NO.)	REV. (REV. NO.)
			I A3	C-282956	D1

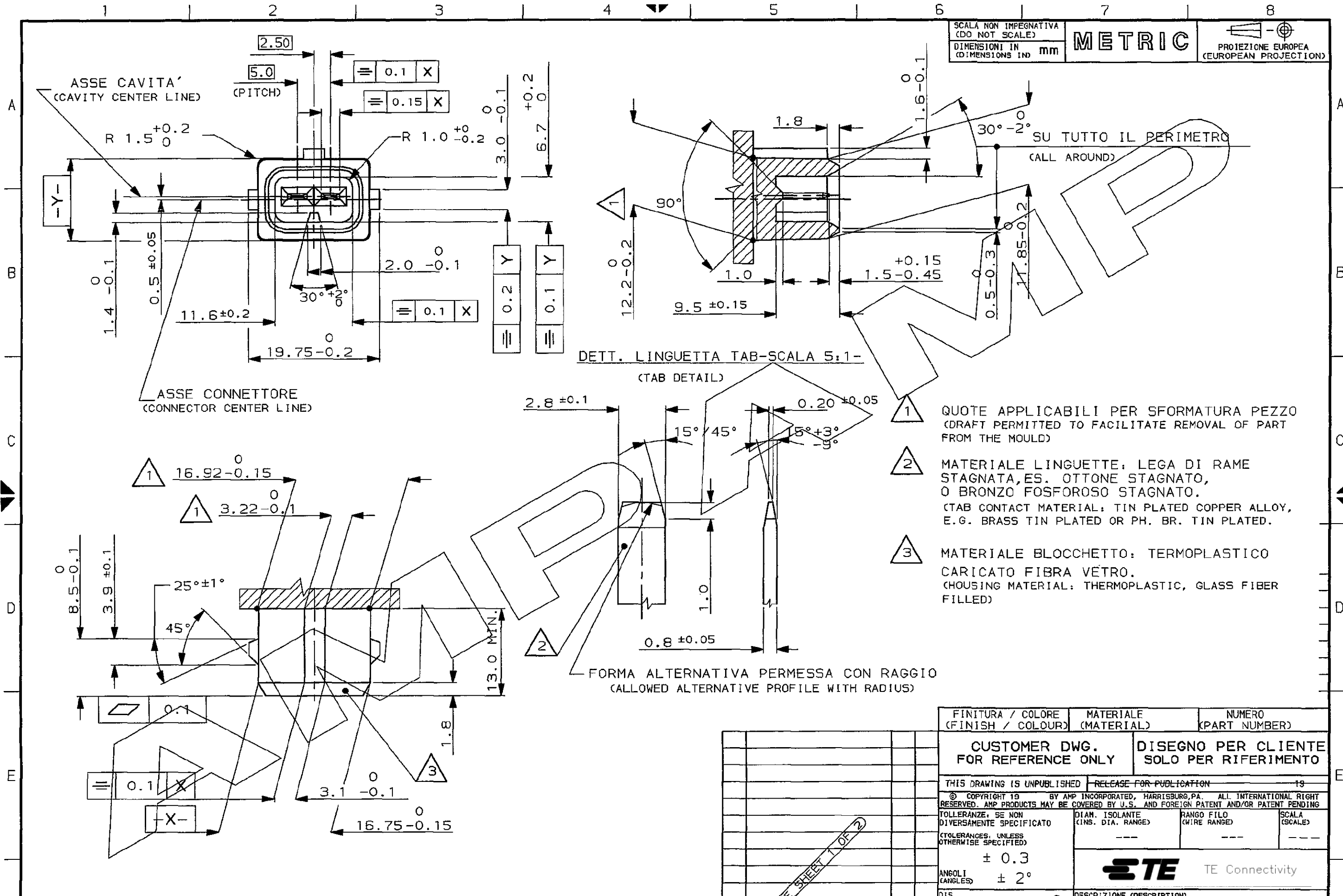


DISTRIBUZIONE (PRINT/DIST.)

SCALA NON IMPEGNATIVA  
(DO NOT SCALE)  
DIMENSIONI IN mm  
(DIMENSIONS IN mm)

**METRIC**

PROIEZIONE EUROPEA  
(EUROPEAN PROJECTION)



- 1 QUOTE APPLICABILI PER SFORMATURA PEZZO (DRAFT PERMITTED TO FACILITATE REMOVAL OF PART FROM THE MOULD)
- 2 MATERIALE LINGUETTE: LEGA DI RAME STAGNATA, ES. OTTONE STAGNATO, O BRONZO FOSFOROSO STAGNATO.  
CTAB CONTACT MATERIAL: TIN PLATED COPPER ALLOY, E.G. BRASS TIN PLATED OR PH. BR. TIN PLATED.
- 3 MATERIALE BLOCCHETTO: TERMOPLASTICO CARICATO FIBRA VETRO.  
(HOUSING MATERIAL: THERMOPLASTIC, GLASS FIBER FILLED)

FINITURA / COLORE (FINISH / COLOUR)	MATERIALE (MATERIAL)	NUMERO (PART NUMBER)
CUSTOMER DWG. FOR REFERENCE ONLY	DISEGNO PER CLIENTE SOLO PER RIFERIMENTO	
THIS DRAWING IS UNPUBLISHED		RELEASE FOR PUBLICATION
© COPYRIGHT 19 BY AMP INCORPORATED, HARRISBURG, PA. ALL INTERNATIONAL RIGHT RESERVED. AMP PRODUCTS MAY BE COVERED BY U.S. AND FOREIGN PATENT AND/OR PATENT PENDING		
TOLLERANZE. SE NON DIVERSAMENTE SPECIFICATO (TOLERANCES. UNLESS OTHERWISE SPECIFIED)	DIAM. ISOLANTE (INS. DIA. RANGE)	RANGO FILO (WIRE RANGE)
± 0.3	---	---
ANGOLI (ANGLES)	SCALA (SCALE)	
± 2°	---	
DIS. (DR.)	DESCRIZIONE (DESCRIPTION)	
CONT. (CHK)	2 POS. SPLASH PROOF CONN. ASS'Y FOR 2.8 SENSOR-FLAT CONTACT	
APP. (APP.)	LOC. SIZE NUMERO (DWG NO)	REV. FOLIO (SHEET)
REV. (REV.)	I A3 C-282956	D1 2 OF 2

REV. (REV.)	REVISIONI (REVISION RECORD)	DIS. DATA (DR. DATE)

DISTRIBUZIONE  
(PRINT DIST.)

SEE SHEET 1 OF 2

SEE SHEET 1 OF 2