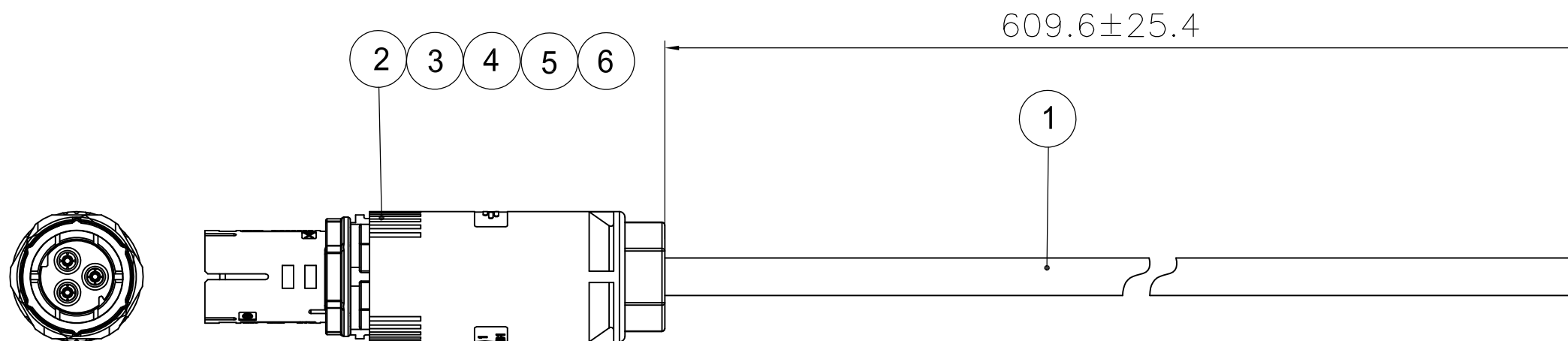


THIS DRAWING IS UNPUBLISHED. RELEASED FOR PUBLICATION  
 © COPYRIGHT - By - ALL RIGHTS RESERVED.

LOC	DIST	REVISIONS					
GP	00	P	LTR	DESCRIPTION	DATE	DWN	APVD
			A	INITIAL DRAWING	26AUG2015	DM	DM

NOTES:

- 1 EACH ITEM AND ASSEMBLY MUST COMPLY WITH EUROPEAN REDUCTION OF HAZARDOUS SUBSTANCES (RoHS) REGULATION. UNDER DIRECTIVE 2011/65/EU AND HARMONIZED STANDARD EN 50581:2012.
- 2 DO NOT SOLDER CONTACT, CRIMP ONLY
- 3 IDENTIFY POSITION PE, LOADING POSITIONER PE TO SOCKET PE
- 4 PE CONTACT CIRCUIT IDENTIFIED BY EXTENDED LENGTH POLARIZED "KEY"
- 5 ELECTRICAL TEST:  
100% OPEN SHORT&MISS WIRE TEST  
CONTACT RESISTANCE: 2 OHM MAX



**2829465-1**  
**TE P/N**

WIRING SCHEME	
CONNECTOR HOUSING (ITEM 2)	WIRE
PE/	GREEN/YELLOW
N	BLUE
L	BROWN

QTY	UoM	DESCRIPTION	ITEM
1	PC	Cable Ring Nut 11-14mm OD	6
1	PC	Cable Clamp/Seal Assembly 11-14mm OD	5
1	PC	Contact/Positioner Assembly	4
2	PC	14 AWG Socket Contacts	3
1	PC	Socket Housing Assembly	2
0.661	M	Cable, H07RN-F, 14/3 Black, 10.9-14.0mm OD (Mueller 4101403)	1

THIS DRAWING IS A CONTROLLED DOCUMENT.		DWN T.BURZYŃSKI 25MAY2015	TE Connectivity													
DIMENSIONS: mm		CHK A.V.ZANDVOORT 25MAY2015														
TOLERANCES UNLESS OTHERWISE SPECIFIED:		APVD A.V.ZANDVOORT 25MAY2015	NAME SEALED 3 POS SOCKET - STD HARMONIZED CABLE													
<table border="0"> <tr> <td>0 PLC</td> <td>± 0,5</td> </tr> <tr> <td>1 PLC</td> <td>± 0,5</td> </tr> <tr> <td>2 PLC</td> <td>± 0,5</td> </tr> <tr> <td>3 PLC</td> <td>± -</td> </tr> <tr> <td>4 PLC</td> <td>± -</td> </tr> <tr> <td>ANGLES</td> <td>± 2°</td> </tr> </table>		0 PLC	± 0,5	1 PLC	± 0,5	2 PLC	± 0,5	3 PLC	± -	4 PLC	± -	ANGLES	± 2°	PRODUCT SPEC -	APPLICATION SPEC -	
0 PLC	± 0,5															
1 PLC	± 0,5															
2 PLC	± 0,5															
3 PLC	± -															
4 PLC	± -															
ANGLES	± 2°															
MATERIAL -	FINISH -	WEIGHT -	SIZE A3	CAGE CODE 00779	DRAWING NO C-2829465	RESTRICTED TO -										
CUSTOMER DRAWING			SCALE NTS	SHEET 1 OF 1	REV A											