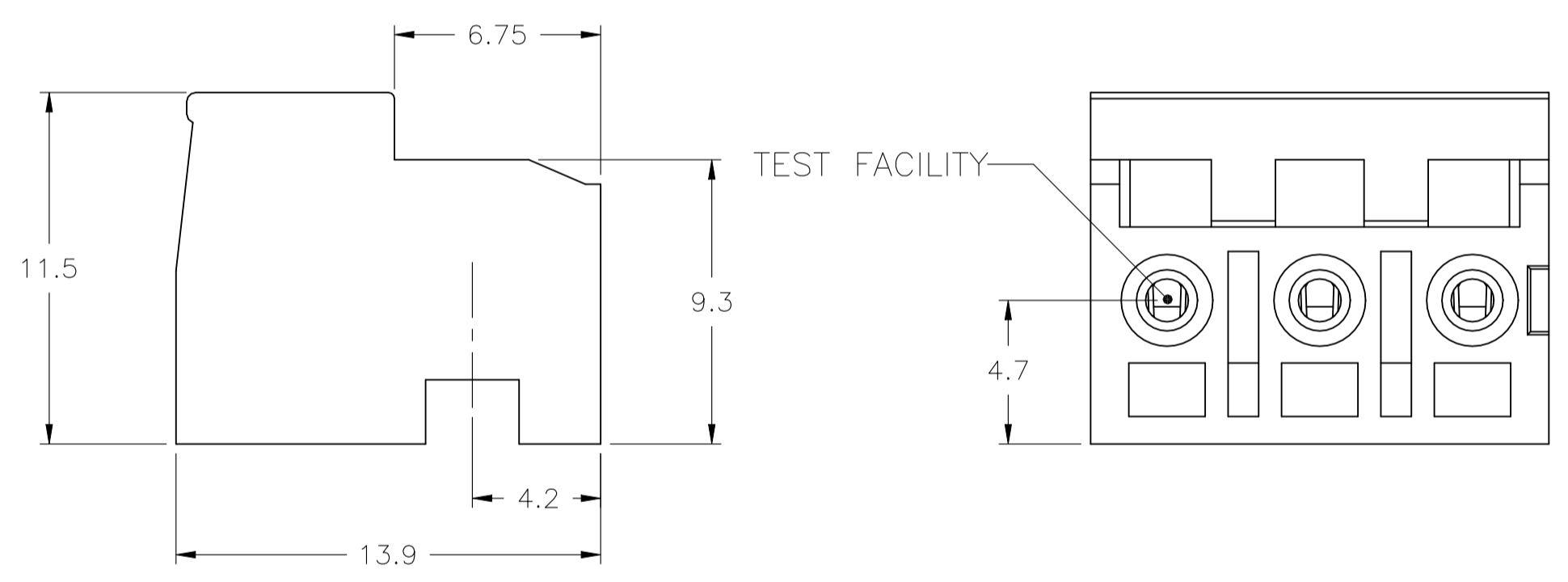
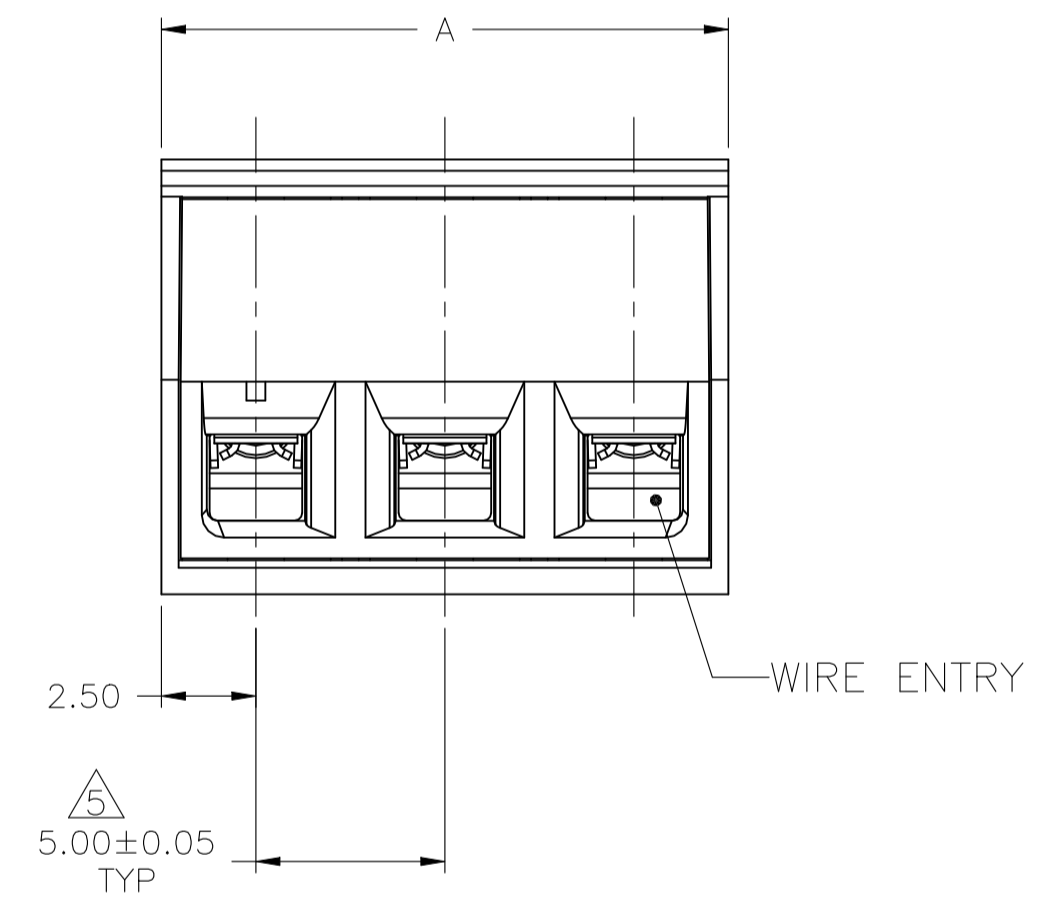
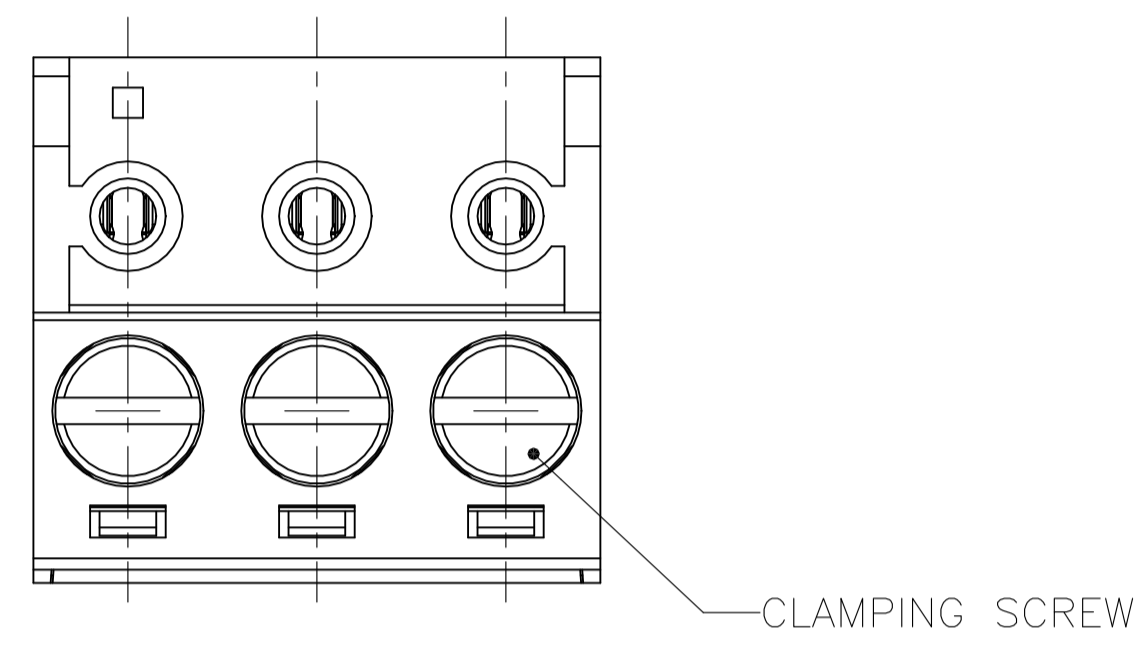


REVISIONS					
REV	DATE	DESCRIPTION	BY	CHK	APPV
L8	09FEB2024	PN 3-282830-8 REACTIVATED	SP	PS	

NOTES:

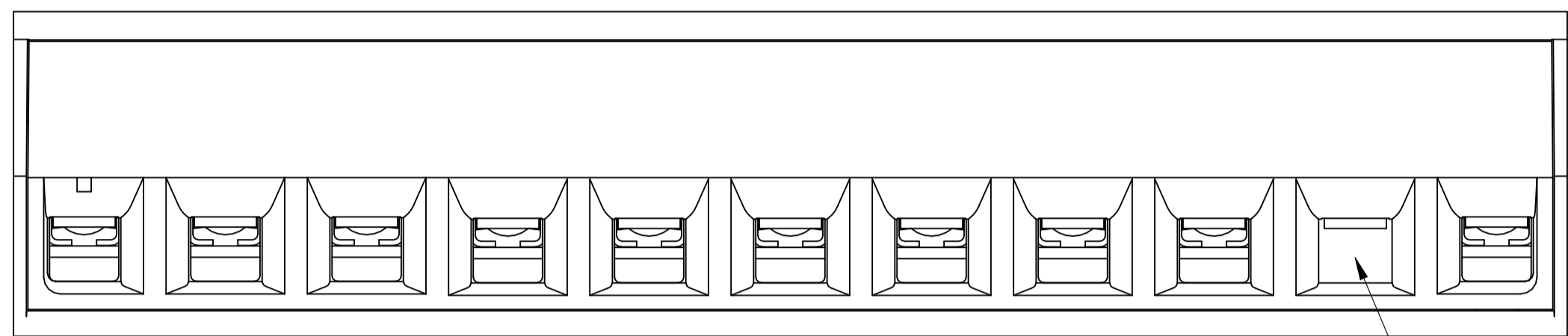
- 1 MATERIALS AND FINISH  
HOUSING: PA 6-6, UL 94-V0, COLOR: GREEN.  
CLAMP: BRASS, NICKEL PLATED.  
CONTACT: PHOSPHOR BRONZE, TIN PLATED.  
CLAMPING SCREW: M3, BRASS, NICKEL PLATED.
- 3. RECOGNIZED UNDER THE COMPONENT PROGRAM OF UNDERWRITERS LABORATORIES INC. FILE NO. E60677.
- 4. IMQ CERTIFICATE WITH SURVEILLANCE IN CONFORMITY WITH IEC 998-1/998-2-1.
- 5 NOT CUMULATIVE TOLERANCE.
- 6 INK MARKING, BLACK COLOR.
- 7 INK MARKING, WHITE COLOR.
- 8 WIRE ENTRY IN THE CLOSED POSITION.
- 9 SEE FIGURE.
- 10 END TO END STACKABLE W/O LOSS OF CENTERLINE SPACING.
- 11. MECHANICAL:  
INSERTION FORCE PER POLE MAX 2N (MAX .450 lbf)  
WITHDRAWAL FORCE PER POLE MIN 1.2N (MAX .270 lbf)  
RECOMMENDED/HIGHEST TIGHTENING TORQUE 0.5/0.6 Nm (4.42/5.30 lbf in)  
WIRE STRIPPING LENGTH 4 TO 6 mm (.16 TO .24 in)  
OPERATING TEMPRATURE RANGE -40°C TO +110°C (-40°F TO +230°F)
- 12. ELECTRICAL:  
RATED VOLTAGE : 300 V  
RATED CURRENT 12 A  
WIRE SIZE RANGE : 14-30 AWG  
CONTACT RESISTANCE <15 mΩ  
INSULATION RESISTANCE >1000M Ω (500V DC)
- 13. OBSOLETE



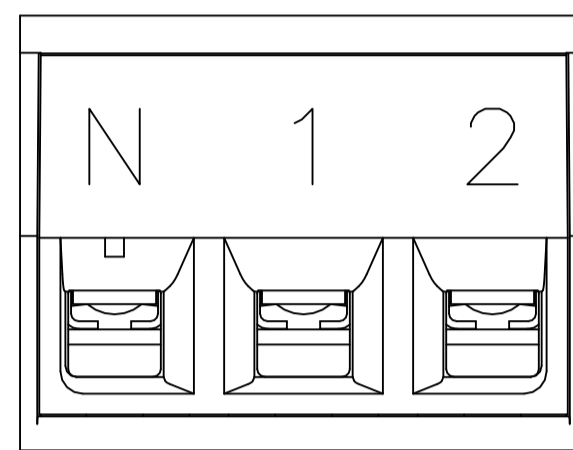
REV	DESCRIPTION	QTY	UNIT	REF	PART NUMBER
13	TIN	20	4		3-282830-8
13	TIN	15	3		3-282830-7
13	0.254um GOLD	10	2		3-282830-6
13	TIN	30	6		3-282830-5
13	TIN	15	3		3-282830-4
13	TIN	10	2		3-282830-3
13	TIN	45	9		3-282830-2
13	TIN	30	6		3-282830-1
13	TIN	125	3		3-282830-0
13	GOLD	15	3		2-282830-9
13	TIN	1, 3 THRU 11	55	10	2-282830-8
13	TIN	1 THRU 9, 11	55	10	2-282830-7
13	TIN		125	25	2-282830-6
13	TIN		120	24	2-282830-5
13	TIN		115	23	2-282830-4
13	TIN		110	22	2-282830-3
13	TIN		105	21	2-282830-2
13	TIN		100	20	2-282830-1
13	TIN		95	19	2-282830-0
13	TIN		90	18	1-282830-9
13	TIN		85	17	1-282830-8
13	TIN		80	16	1-282830-7
13	TIN		75	15	1-282830-6
13	TIN		70	14	1-282830-5
13	TIN		65	13	1-282830-4
13	TIN		20	4	1-282830-3
13	TIN		60	12	1-282830-2
13	TIN		55	11	1-282830-1
13	TIN		50	10	1-282830-0
13	TIN		45	9	282830-9
13	TIN		40	8	282830-8
13	TIN		35	7	282830-7
13	TIN		30	6	282830-6
13	TIN		25	5	282830-5
13	TIN		20	4	282830-4
13	TIN		15	3	282830-3
13	TIN		10	2	282830-2

REMARKS	CONTACT PLATING	SELECT LOADED	A	NO OF POSN	PART NUMBER
THIS DRAWING IS A CONTROLLED DOCUMENT. <span style="float: right;">DIN S SCHLEGEL 28AUG2009</span> DIMENSIONS: mm <span style="float: right;">CHK C RICHARD 8/28/09</span> TOLERANCES UNLESS OTHERWISE SPECIFIED: 0 PLC ± - 1 PLC ± 0.2 2 PLC ± 0.15 3 PLC ± - 4 PLC ± - ANGLES ± ° MATERIAL FINISH					
APPLICATION SPEC WEIGHT - CUSTOMER DRAWING			NAME: TERMINAL BLOCK PLUG 90/180 DEGREE, STRIGHT SIDE STACKABLE, 5.0mm PITCH SIZE: A1 CAGE CODE: 00779 DRAWING NO: 282830 SCALE: 4:1 SHEET: 1 of 2 REV: L8		

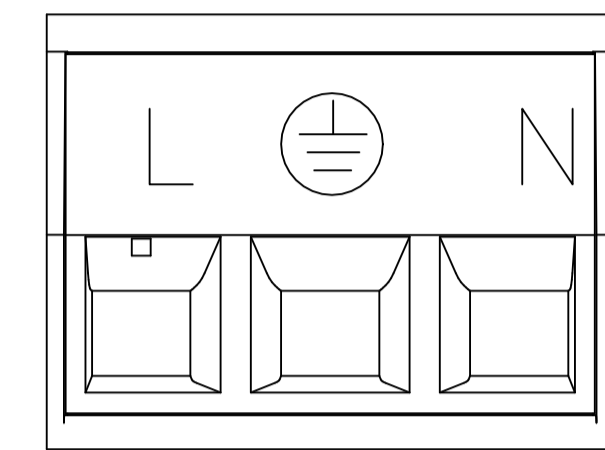
REVISIONS				
REV	DATE	DESCRIPTION	BY	APP'D
-	-	SEE SHEET 1	-	-



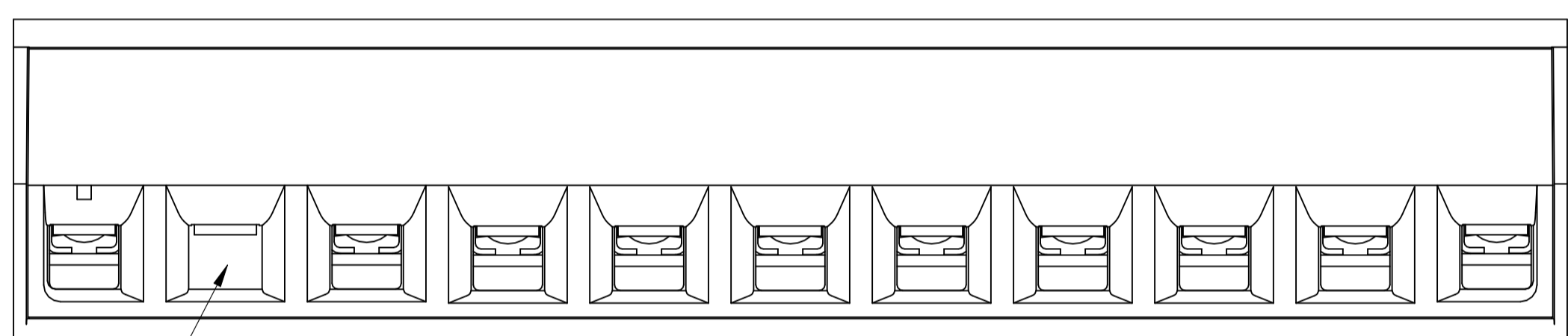
2-282830-7



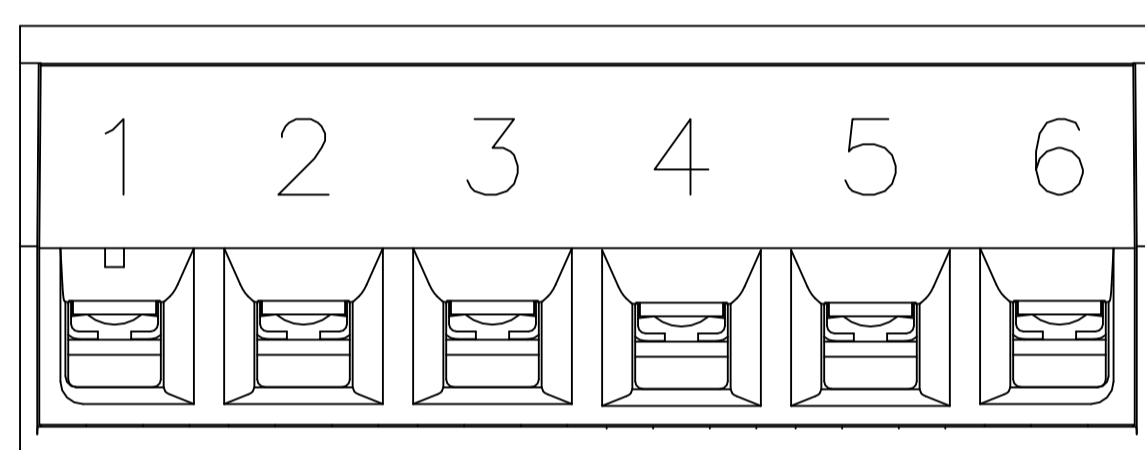
3-282830-0



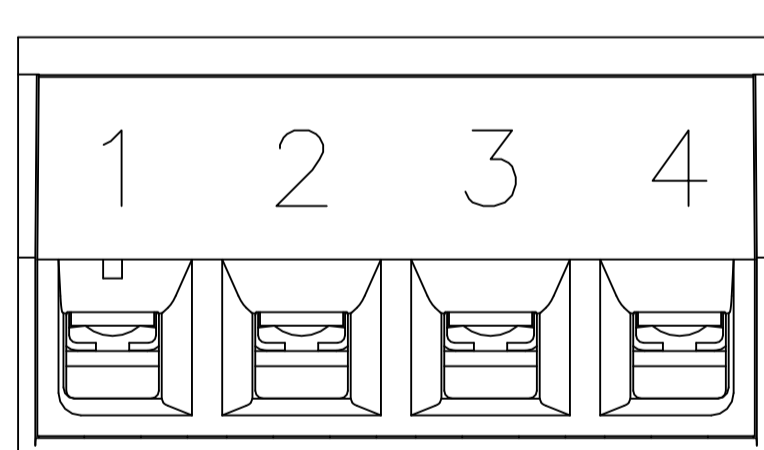
3-282830-7



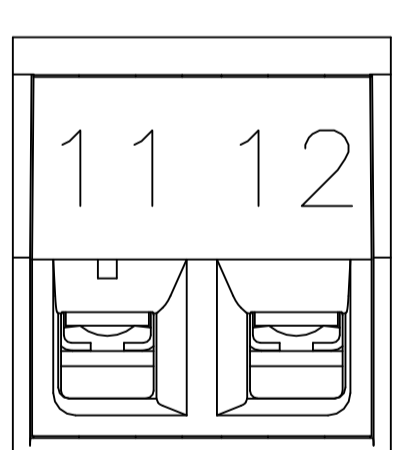
2-282830-8



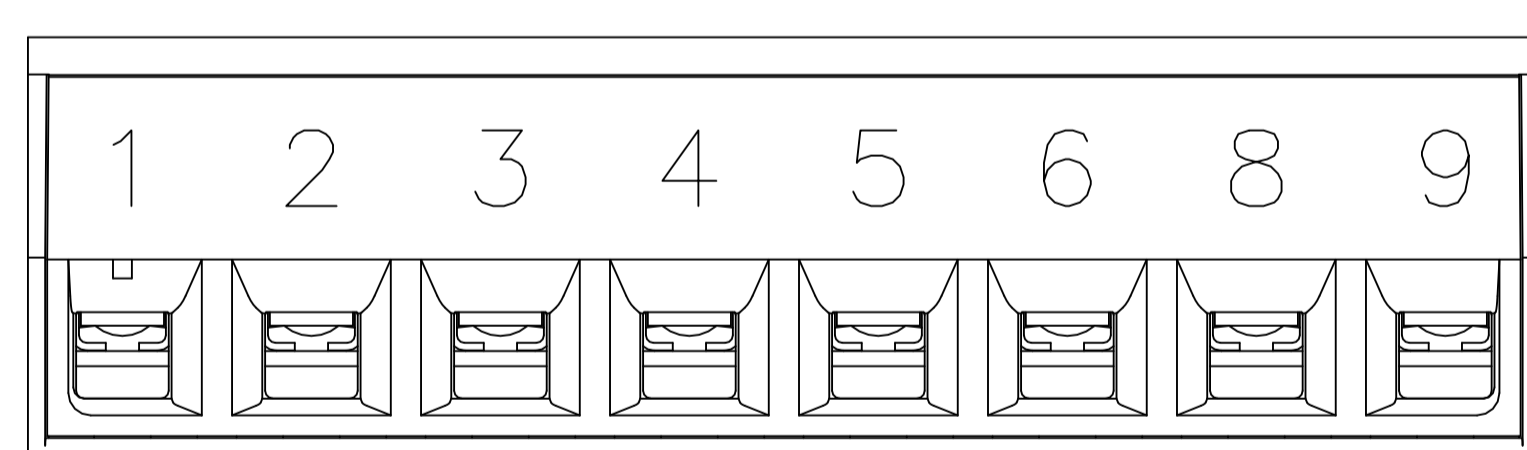
3-282830-1



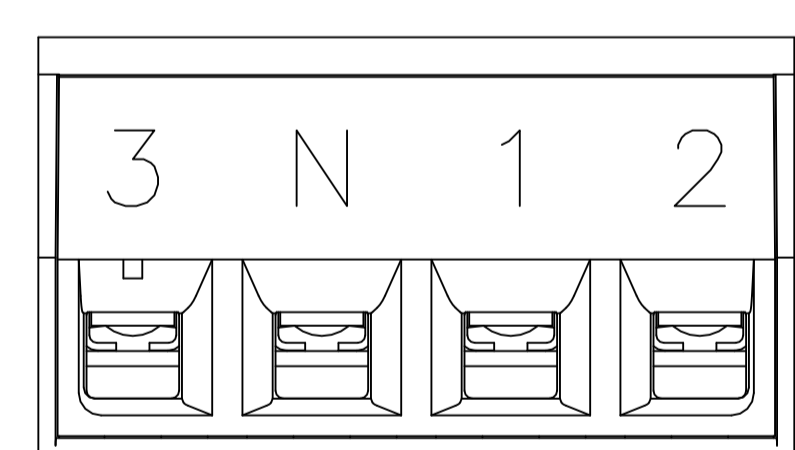
1-282830-3



3-282830-3



3-282830-2



3-282830-8

THIS DRAWING IS A CONTROLLED DOCUMENT.		DWG: S SCHLEGEL	28AUG2009	TE Connectivity Ltd.
		CHK: C RICHARD	8/28/09	
		APPRO: C RICHARD	8/28/09	NAME: TERMINAL BLOCK PLUG 90/180 DEGREE STRIGHT SIDE STACKABLE, 5.0mm PITCH
		PRODUCT SPEC: -		APPLICATION SPEC: -
		MATERIAL: -		WEIGHT: -
		CUSTOMER DRAWING		SCALE: 4:1 SHEET 2 OF 2 REV 1.8