

THIS DRAWING IS UNPUBLISHED.

RELEASED FOR PUBLICATION

20

© COPYRIGHT 20

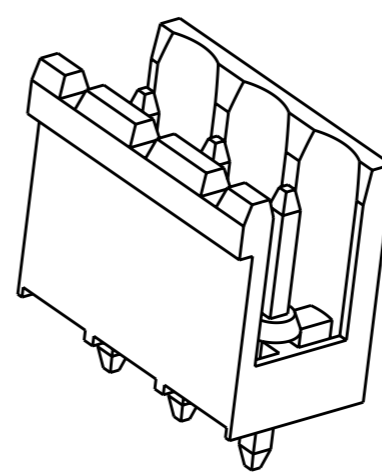
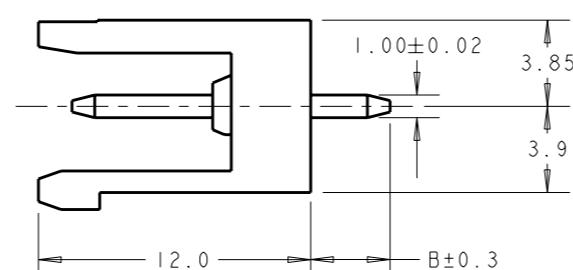
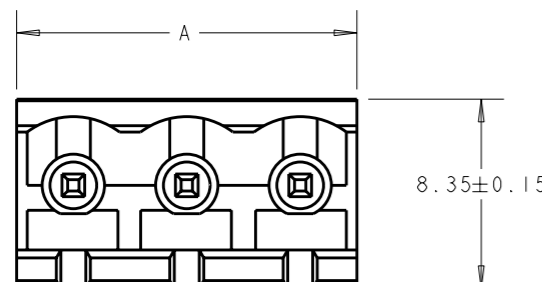
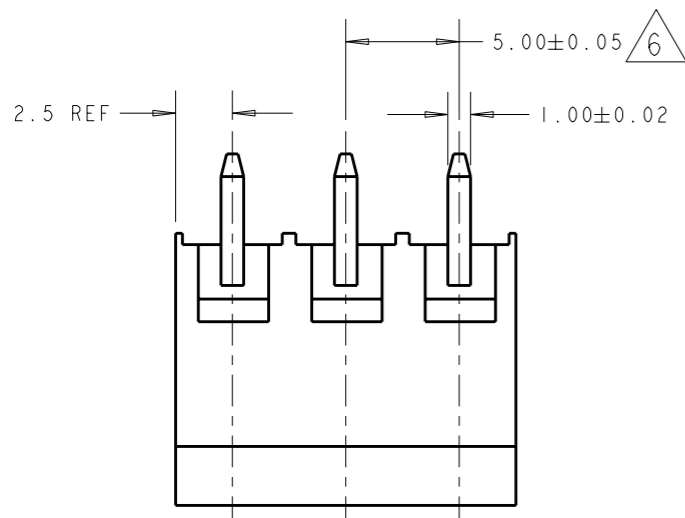
ALL RIGHTS RESERVED.

LOC FT DIST 0

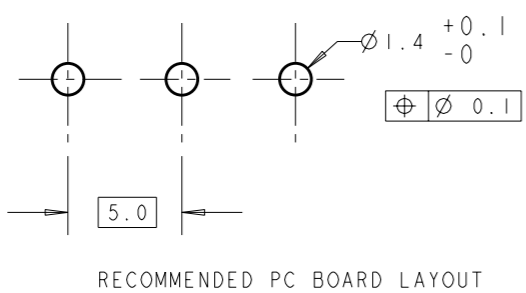
REVISIONS

P	LTR	DESCRIPTION	DATE	DWN	APVD
	C2	REVISED PER ECO-12-007964	02MAY2012	KH	MS

- 1 MATERIALS AND FINISH  
HOUSING: PA 6-6, UL 94-V0, COLOR GREEN, RAL 7032.  
TERMINAL: COPPER ALLOY, TIN PLATED.
- 2 SUITABLE FOR 1,6-2,4mm PC BOARD THICKNESS.
- 3 END-TO-END STACKABLE WITHOUT LOSS OF CENTERLINE SPACING.
- 4 RECOGNIZED UNDER THE COMPONENT PROGRAM OF UNDERWRITERS LABORATORIES INC., FILE N° E60677.
- 5 IMQ CERTIFICATE WITH SURVEILLANCE IN CONFORMITY WITH IEC 998-1/998-2-1.
- 6 NOT CUMULATIVE TOLERANCE.



DIM. B	DIM. A	N° POS.	PART NUMBER
7.6	30	6	2-282822-6
	125	25	2-282822-5
	120	24	2-282822-4
	115	23	2-282822-3
	110	22	2-282822-2
	105	21	2-282822-1
	100	20	2-282822-0
	95	19	1-282822-9
	90	18	1-282822-8
	85	17	1-282822-7
	80	16	1-282822-6
	75	15	1-282822-5
3.5	70	14	1-282822-4
	65	13	1-282822-3
	60	12	1-282822-2
	55	11	1-282822-1
	50	10	1-282822-0
	45	9	282822-9
	40	8	282822-8
	35	7	282822-7
	30	6	282822-6
	25	5	282822-5
	20	4	282822-4
	15	3	282822-3
	10	2	282822-2



THIS DRAWING IS A CONTROLLED DOCUMENT.		DWN E. ZANOLINI 20JUL2001	TE Connectivity	
DIMENSIONS: mm		CHK D. BIEVENOUR 20JUL2001		
TOLERANCES UNLESS OTHERWISE SPECIFIED:		APVD D. BIEVENOUR 20JUL2001	NAME	
0 PLC ±-		PRODUCT SPEC 108-20166	TERMINAL BLOCK HEADER ASSEMBLY	
1 PLC ±.2		APPLICATION SPEC 114-20079	180 DEG OPEN ENDS, STACKING	
2 PLC ±.25		WEIGHT -	5mm PITCH	
3 PLC ±-		CUSTOMER DRAWING	SIZE A3	RESTRICTED TO -
4 PLC ±-			CAGE CODE 00779	DRAWING NO C-282822
ANGLES ± ±2		SCALE 3:1	SHEET 1	OF 1
MATERIAL		REV C2		
FINISH				