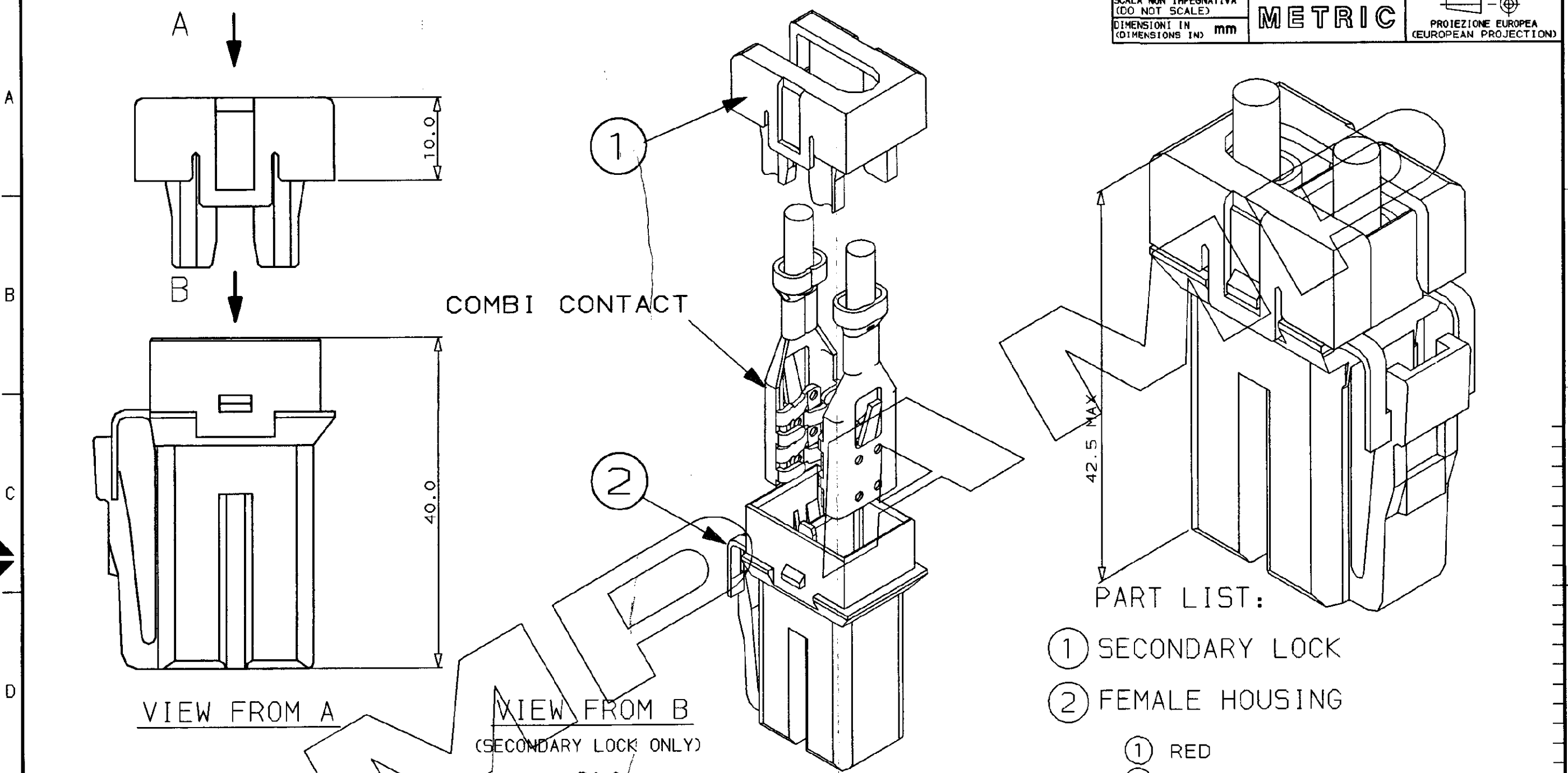


SCALA NON IMPEGNATIVA
(DO NOT SCALE)
DIMENSIONI IN mm
(DIMENSIONS IN mm)

METRIC

PROIEZIONE EUROPEA
(EUROPEAN PROJECTION)

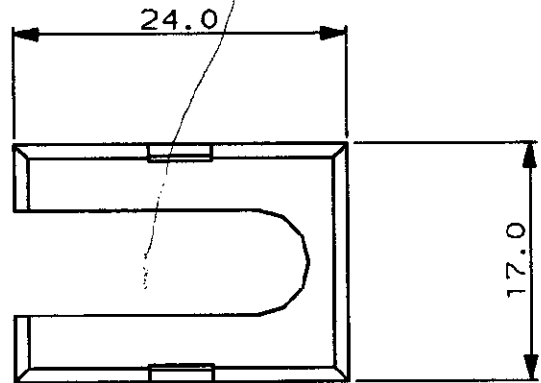
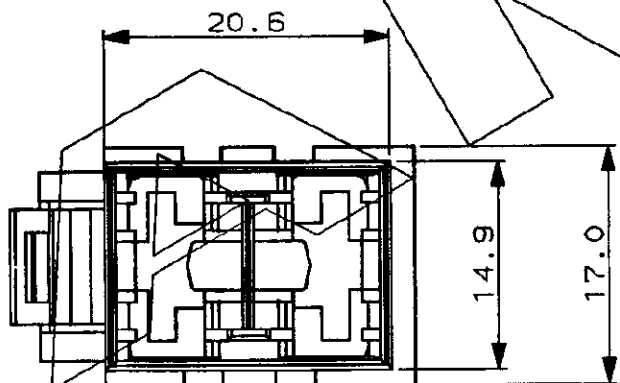


- PART LIST:**
- ① SECONDARY LOCK
 - ② FEMALE HOUSING

- ① RED
- ② WHITE PBT 282590-1

VIEW FROM A

VIEW FROM B
(SECONDARY LOCK ONLY)



FINITURA / COLORE (FINISH / COLOUR)	MATERIALE (MATERIAL)	NUMERO (PART NUMBER)
--	-------------------------	-------------------------

CUSTOMER DWG. FOR REFERENCE ONLY DISEGNO PER CLIENTE SOLO PER RIFERIMENTO

THIS DRAWING IS UNPUBLISHED RELEASE FOR PUBLICATION 19

© COPYRIGHT 1985 BY AMP INCORPORATED, HARRISBURG, PA. ALL INTERNATIONAL RIGHTS RESERVED. AMP PRODUCTS MAY BE COVERED BY U.S. AND FOREIGN PATENT AND/OR PATENT PENDING

TOLLERANZE, SE NON DIVERSAMENTE SPECIFICATO (TOLERANCES, UNLESS OTHERWISE SPECIFIED)	DIAM. ISOLANTE (INS. DIA. RANGE)	RANGO FILO (WIRE RANGE)	SCALA (SCALE)
± 0.3	-	-	-

ANGOLI (ANGLES) ± 2°

AMP ITALIA S.p.A.
Corso F.lli Cervi, 15
COLLENO (TORINO)

DESCRIZIONE (DESCRIPTION) POWER CONN. FOR NEW GENERATION CAR HARNESS (2 POS.)

REV.	REVISIONI (REVISION RECORD)	DIS. DATA (DR DATE)
A1	MODIFIED PER E.C.00-0432-86	U.D. 1986
A	RELEASED FOR PRODUCTION ET00-0170-95	P.M. 1985

LOC.	SIZE	NUMERO (DWG NO)	REV.	FOGLIO (SHEET)
I	A3	C-282590	A1	1 (OF) 2

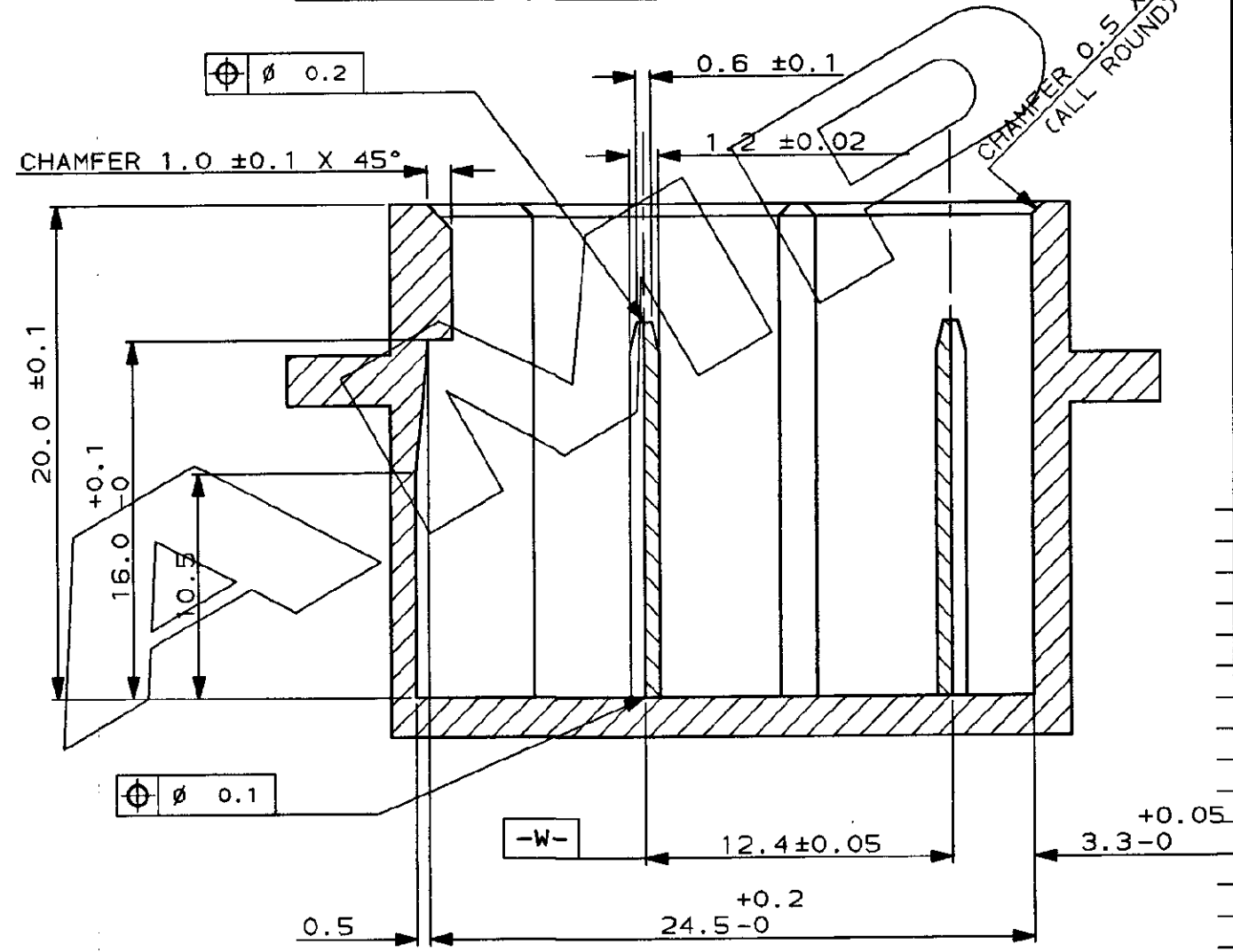
DISTRIBUZIONE (PRINT DIST.)

SCALA NON IMPEGNATIVA
(DO NOT SCALE)
DIMENSIONI IN
(DIMENSIONS IN) mm

METRIC

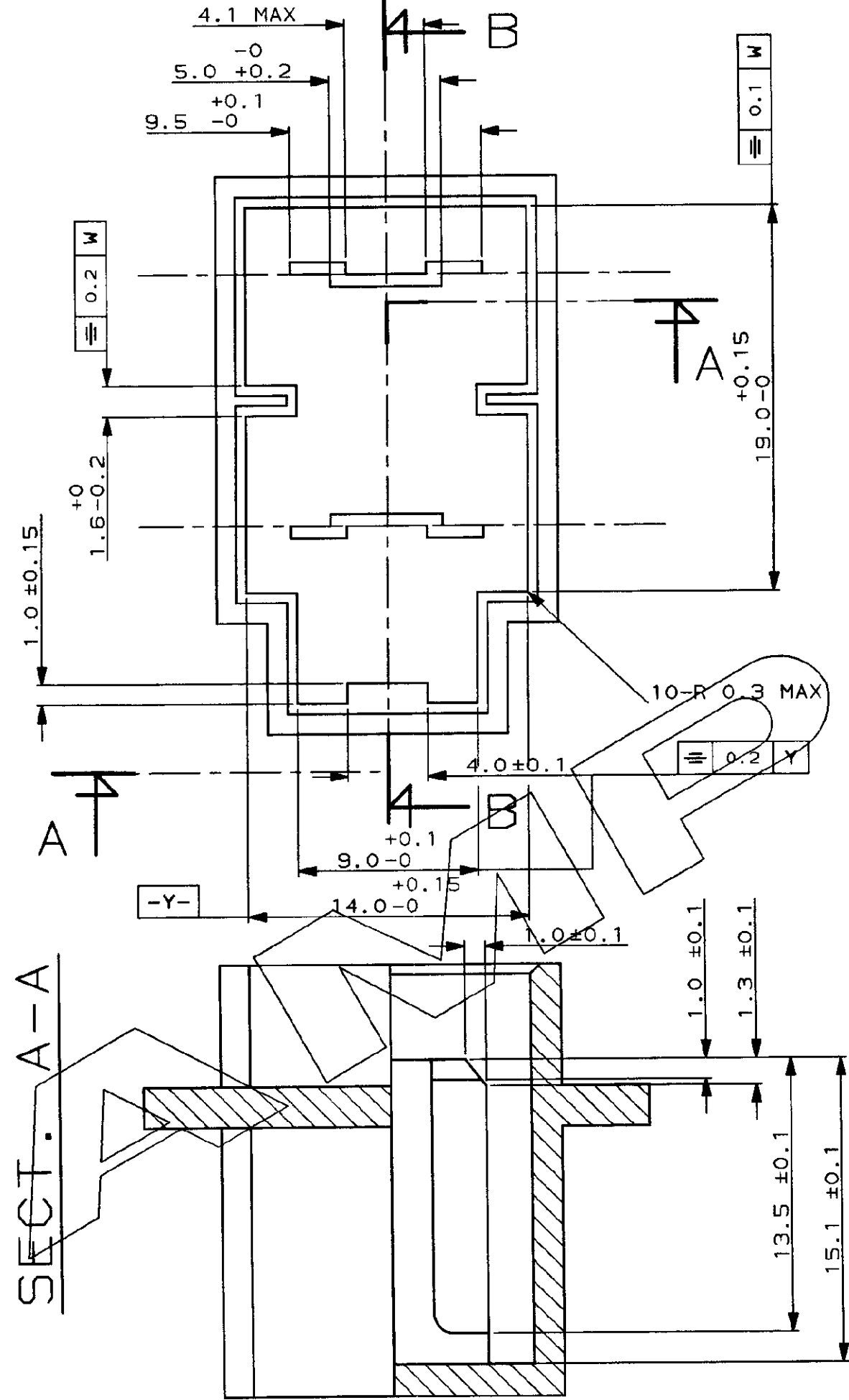
PROIEZIONE EUROPEA
(EUROPEAN PROJECTION)

SECT. B-B



MALE INTERFACE

SECT. A-A



FINITURA / COLORE (FINISH / COLOUR)	MATERIALE (MATERIAL)	NUMERO (PART NUMBER)
CUSTOMER DWG. FOR REFERENCE ONLY	DISEGNO PER CLIENTE SOLO PER RIFERIMENTO	19
THIS DRAWING IS UNPUBLISHED RELEASE FOR PUBLICATION		
© COPYRIGHT 19 BY AMP INCORPORATED, HARRISBURG, PA. ALL INTERNATIONAL RIGHT RESERVED. AMP PRODUCTS MAY BE COVERED BY U.S. AND FOREIGN PATENT AND/OR PATENT PENDING		
TOLLERANZE, SE NON DIVERSAMENTE SPECIFICATO (TOLERANCES, UNLESS OTHERWISE SPECIFIED)	DIAM. ISOLANTE (INS. DIA. RANGE)	RANGO FILO (WIRE RANGE)
± 0.3	-	-
ANGOLI (ANGLES)	SCALA (SCALE)	
± 2°	-	
DIS. 26 SEP 94 (DR.) P. MASSOLA	AMP AMP ITALIA S.p.A. Corso F.lli Cervi, 15 COLLEGNO (TORINO)	
CONT. 26 SEP 94 (CHK) G. VIGNOLI	DESCRIZIONE (DESCRIPTION) POWER CONN. FOR NEW GENERATION CAR HARNESS	
REV. (REV.)	LOC. SIZE NUMERO (DWG NO)	REV. FOGLIO (SHEET)
REVISIONI (REVISION RECORD)	DIS. DATA (DR) (DATE)	APP. (APP.)
	IA3C-282590	A1 2/2

SEE SHEET 1 OF 2

DISTRIBUZIONE
(PRINT DIST.)