

4

3

2

1

THIS DRAWING IS UNPUBLISHED.

RELEASED FOR PUBLICATION

20

© COPYRIGHT 20

BY -

ALL RIGHTS RESERVED.

REVISIONS

P	LTR	DESCRIPTION	DATE	DWN	APVD
A6		ECR-17-008121	07JUN2017	IZ	RR
A7		ECR-18-005246	25APR2018	KD	LF
A8		ECR-19-006808	29APR2019	KD	FL
A9		ECR-24-215745	26AUG2024	SM	FL

B - B

A - A

1 PRELIMINARY - NOT RELEASED FOR PRODUCTION

2 ONLY FOR 3-927827-1 & 3-927827-2, DIMENSIONS HAVE TO FOLLOW SHEET 2
- INSULATION RANGE: $\varnothing 2.0 - 2.7$
- INSULATION BARREL DIMENSION

3 ONLY FOR 3-964324-1 DIMENSIONS HAVE TO FOLLOW SHEET 3
- INSULATION RANGE: $\varnothing 1.4 - 2.1$
- INSULATION BARREL DIMENSION

4 OBSOLETE

0 +0.08	2.3 ±0.15	PRESILVERED	CuFe2	3-927831-5 4	A
0 +0.08	2.3 ±0.15	PRESILVERED	CuSn4	3-927831-4 4	A
0 +0.08	2.3 ±0.15	PRETINNED	CuSn4	3-927831-2 4	A
0 +0.08	2.3 ±0.15	PRETINNED	CuFe2	3-927831-1 4	A
0.2 MAX	2.5	PRETINNED	CuFe2	2825197-1	A
B	A	FINISH	MATERIAL	PN	REV

THIS DRAWING IS A CONTROLLED DOCUMENT.

DWN 27MAR2015

SUDHAKAR N S

CHK 31MAR2015

L. FEDERICO

APVD 31MAR2015

R. RICCARDO

PRODUCT SPEC

108-18025

APPLICATION SPEC

114-18037

WEIGHT

-

Customer Drawing

TE Connectivity

NAME STANDARD-POWER-TIMER CONTACT

-

-

SIZE CAGE CODE DRAWING NO RESTRICTED TO

A3 - C-2825197 -

SCALE 5:1 SHEET 1 OF 3 REV A9

DIMENSIONS:

mm

TOLERANCES UNLESS OTHERWISE SPECIFIED:

±0.2

0 PLC ±-

1 PLC ±-

2 PLC ±-

3 PLC ±-

4 PLC ±-

ANGLES ±-

FINISH -

INSUL. RANGE
 $\varnothing 1.4 - 2.1$ mmWIRE RANGE
 $\varnothing 0.5 - 1.0$ mm²

MATERIAL

-

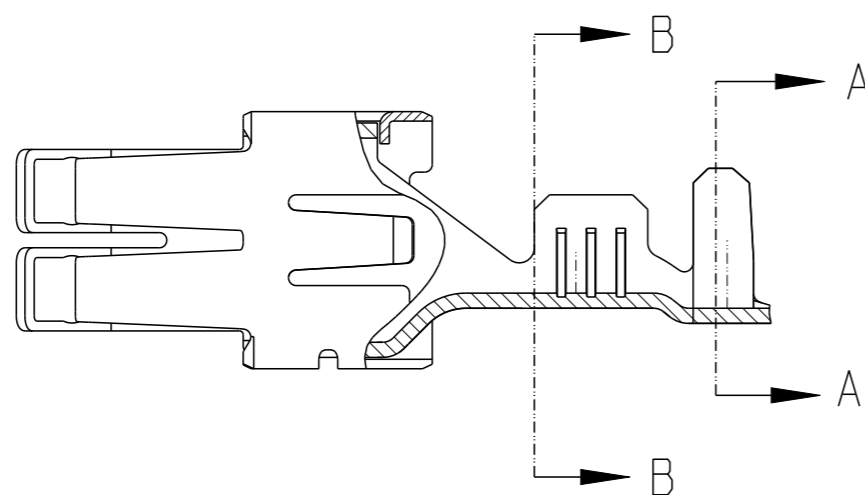
-

1470-19 (3/13)

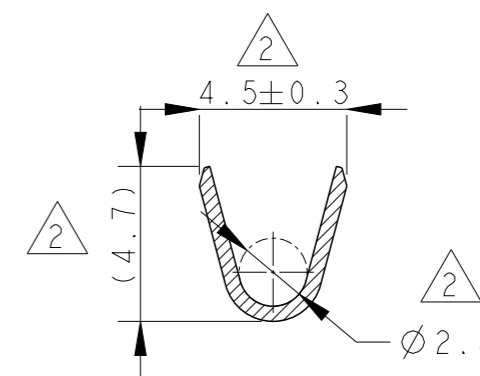
REVISIONS

P	LTR	DESCRIPTION	DATE	DWN	APVD
-	-	SEE SHEET 1	-	-	-

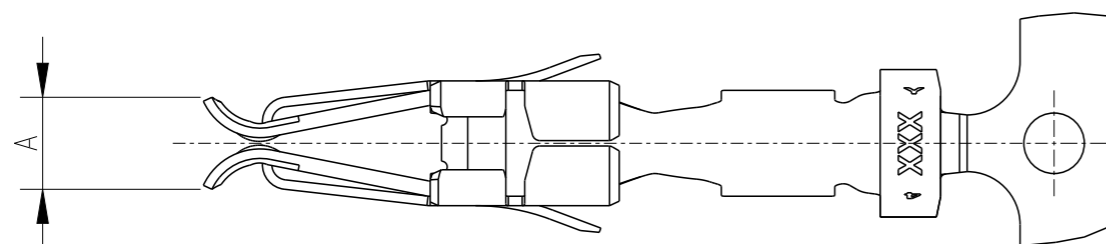
ONLY FOR 3-927827-1 & 3-927827-2
OTHERS DIMENSION SEE SHEET 1



B - B

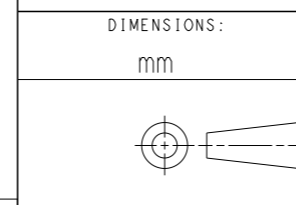


A - A



2.3 ±0.15	PRETINNED	CuSn4	2 3-927827-2 4	A
2.3 ±0.15	PRETINNED	CuFe2	2 3-927827-1 4	A
A	FINISH	MATERIAL	PN	REV

THIS DRAWING IS A CONTROLLED DOCUMENT.



DIMENSIONS:	TOLERANCES UNLESS OTHERWISE SPECIFIED:
mm	±0.2
0 PLC	±-
1 PLC	±-
2 PLC	±-
3 PLC	±-
4 PLC	±-
ANGLES	±-
FINISH	-

DWN	27MAR2015
CHK	31MAR2015
APVD	31MAR2015
PRODUCT SPEC	108-18025
APPLICATION SPEC	114-18037
WEIGHT	-



NAME			
STANDARD-POWER-TIMER CONTACT			
SIZE	CAGE CODE	DRAWING NO	RESTRICTED TO
A3	-	C-2825197	-

INSUL. RANGE Ø 2.0-2.7 mm	WIRE RANGE Ø 0.5-1.0 mm ²
------------------------------	---

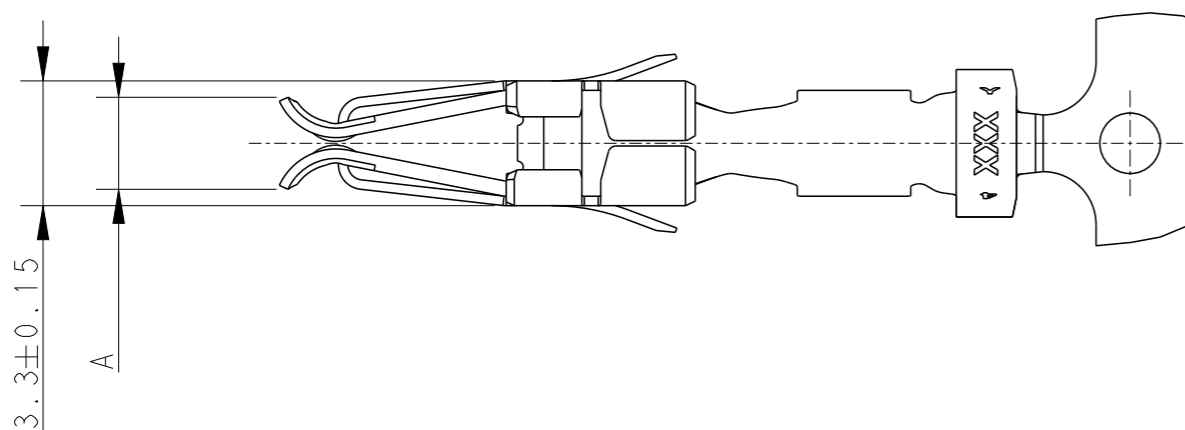
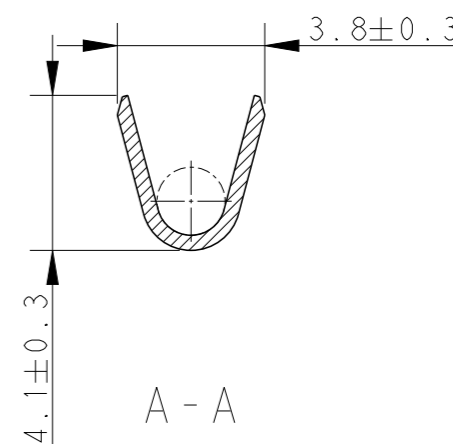
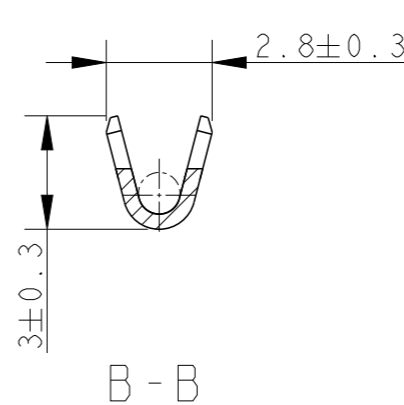
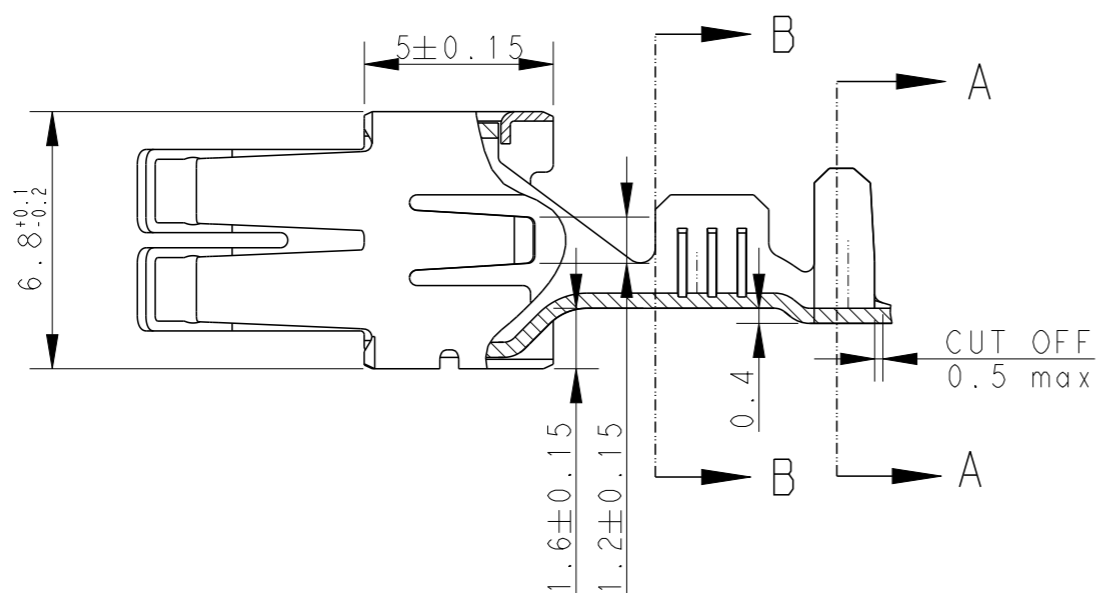
MATERIAL	-
FINISH	-

Customer Drawing	SCALE 5:1	SHEET 2 OF 3	REV A9
------------------	-----------	--------------	--------

REVISIONS

P	LTR	DESCRIPTION	DATE	DWN	APVD
-	-	SEE SHEET 1	-	-	-

ONLY FOR 3-964324-1
OTHERS DIMENSION SEE SHEET 1



2.3 ±0.15	PRETINNED	CuFe2	3 3-964324-1/4	A
A	FINISH	MATERIAL	PN	REV

THIS DRAWING IS A CONTROLLED DOCUMENT.

DIMENSIONS:	TOLERANCES UNLESS OTHERWISE SPECIFIED:
mm	±0.2
	±
	±
	±
	±
	±
ANGLES	±
FINISH	-

DWN	27MAR2015
CHK	31MAR2015
APVD	31MAR2015
PRODUCT SPEC	108-18025
APPLICATION SPEC	114-18037
WEIGHT	-

TE Connectivity STANDARD-POWER-TIMER CONTACT			
SIZE	A3	CAGE CODE	-
DRAWING NO	C-2825197		RESTRICTED TO
Customer Drawing	SCALE	5:1	SHEET 3 OF 3

INSUL. RANGE	WIRE RANGE
∅1.4-2.1 mm	∅0.5-1.0 mm ²

MATERIAL	-
FINISH	-

Customer Drawing	SCALE	5:1	SHEET	3 OF 3	REV	A9
------------------	-------	-----	-------	--------	-----	----