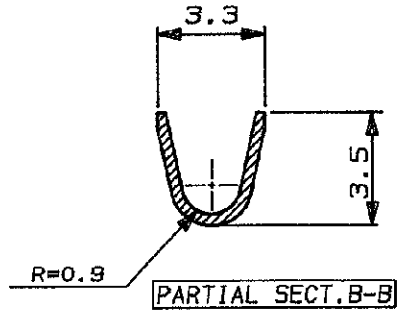
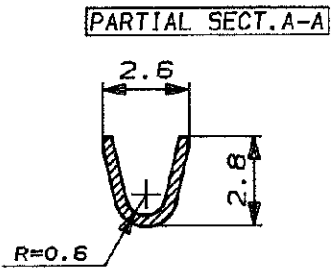
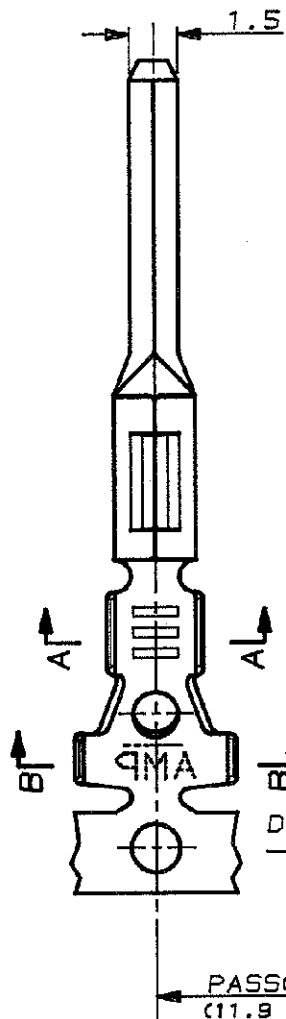
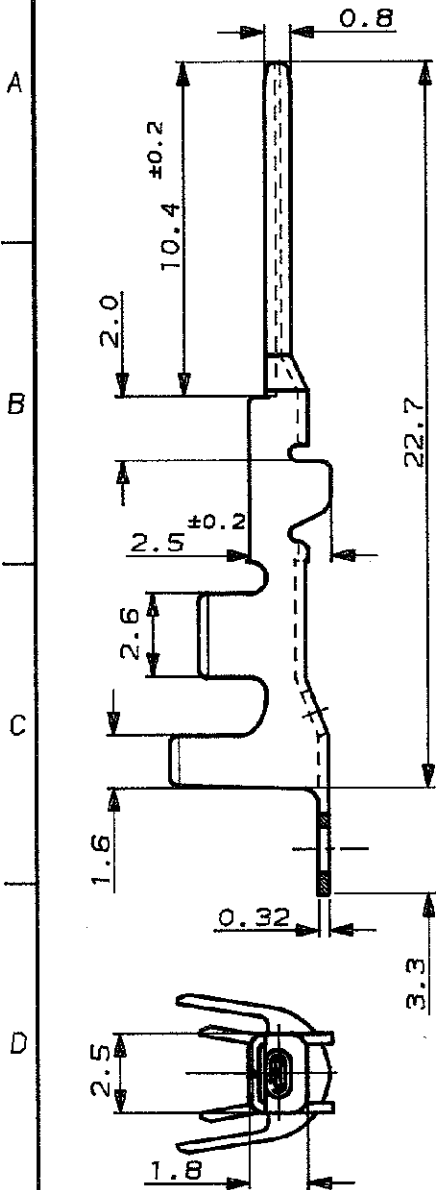


FOR AMP DO BRASIL ONLY

SCALA NON IMPEGNATIVA
(DO NOT SCALE)
DIMENSIONI IN mm
(DIMENSIONS IN mm)

METRIC

PROIEZIONE EUROPEA
(EUROPEAN PROJECTION)



DIR OFF TOP OF REEL

SUPPLIED IN 24'DIA CARTON REEL
WITH INTERPOSED PAPER STRIP
Q.TY PER REEL: 4000

(PRE-TIN) PRE STAGNATO	(BRASS) OTTONE	282440-1
FINITURA / COLORE (FINISH / COLOUR)	MATERIALE (MATERIAL)	NUMERO (PART NUMBER)

CUSTOMER DWG. DISEGNO PER CLIENTE
FOR REFERENCE ONLY SOLO PER RIFERIMENTO

THIS DRAWING IS UNPUBLISHED RELEASE FOR PUBLICATION 1990
© COPYRIGHT 1990 BY AMP INCORPORATED, HARRISBURG, PA. ALL INTERNATIONAL RIGHTS RESERVED. AMP PRODUCTS MAY BE COVERED BY U.S. AND FOREIGN PATENT AND/OR PATENT PENDING

TOLLERANZE, SE NON DIVERSAMENTE SPECIFICATO (TOLERANCES, UNLESS OTHERWISE SPECIFIED)	DIAM. ISOLANTE (INS. DIA. RANGE)	RANGO FILO (WIRE RANGE)	SCALA (SCALE)
± 0.3		0.5-1 mm ²	NO

ANGOLI
(ANGLES) ± 2°
DIS. C. BERTINI
(DR.) 1-07-92

DESCRIZIONE
(DESCRIPTION)
MINI MIC SRS TAB CONTACT

REV. REVISIONI (REVISION RECORD)	DIS. DATA (DR. DATE)	APP. CAPP. (APP. CAP.)	LOC. SIZE NUMERO (DWG NO)	REV. FOLIO (SHEET)
1	30-10-92		IA4 C-282440	A 1 OF 1

DISTRIBUZIONE
PRINT (DIST.)