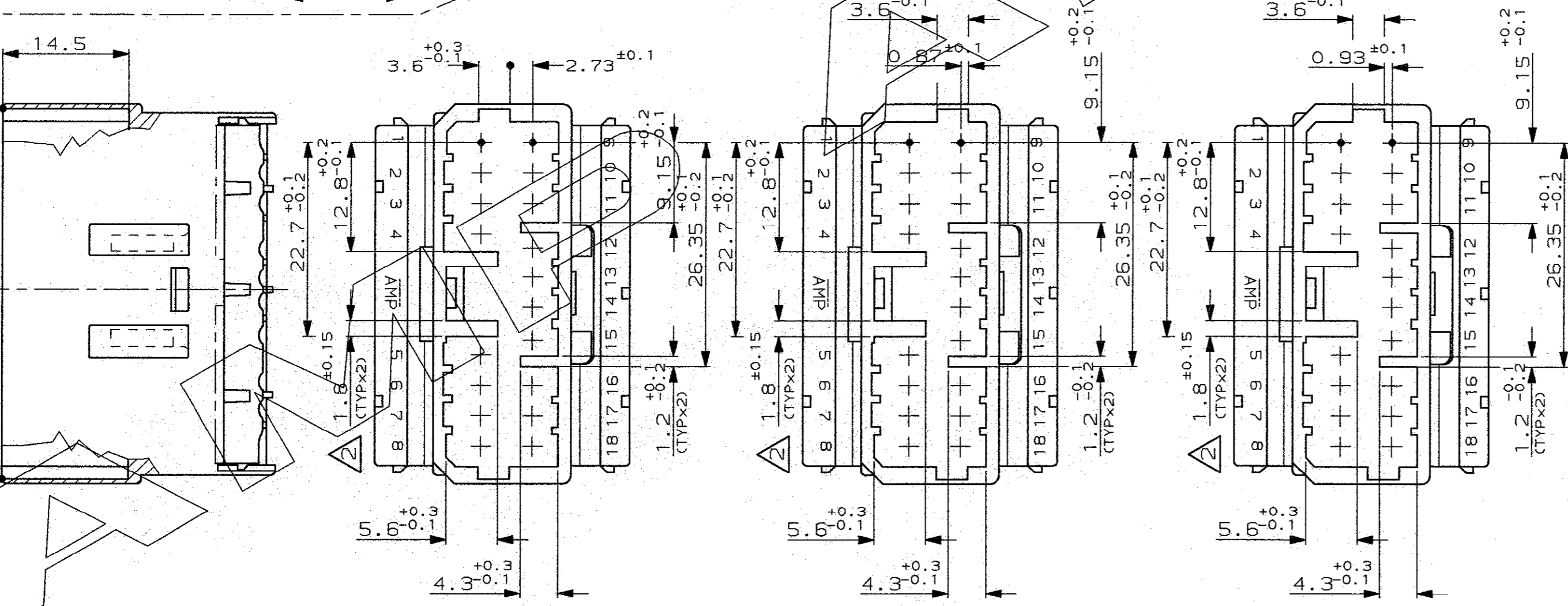
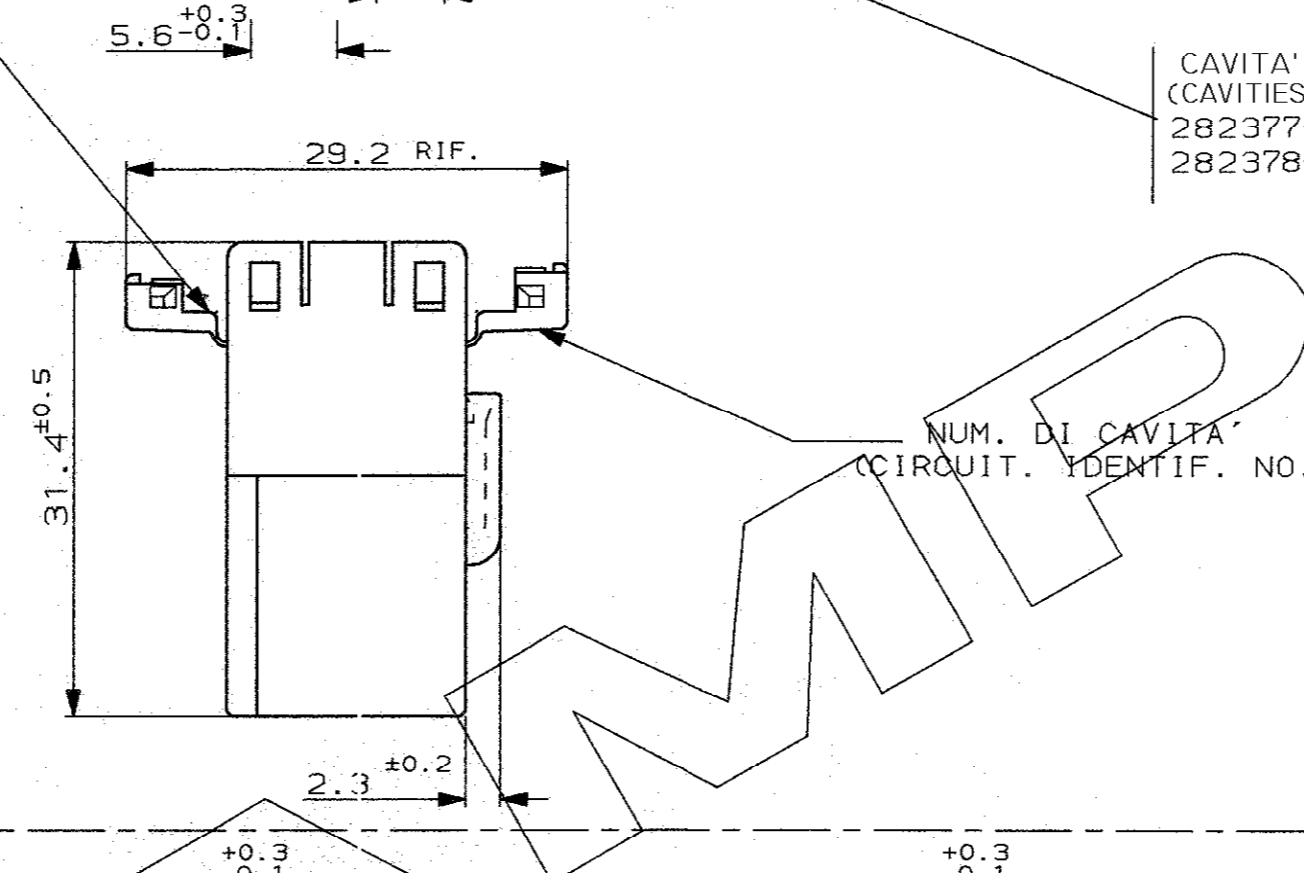
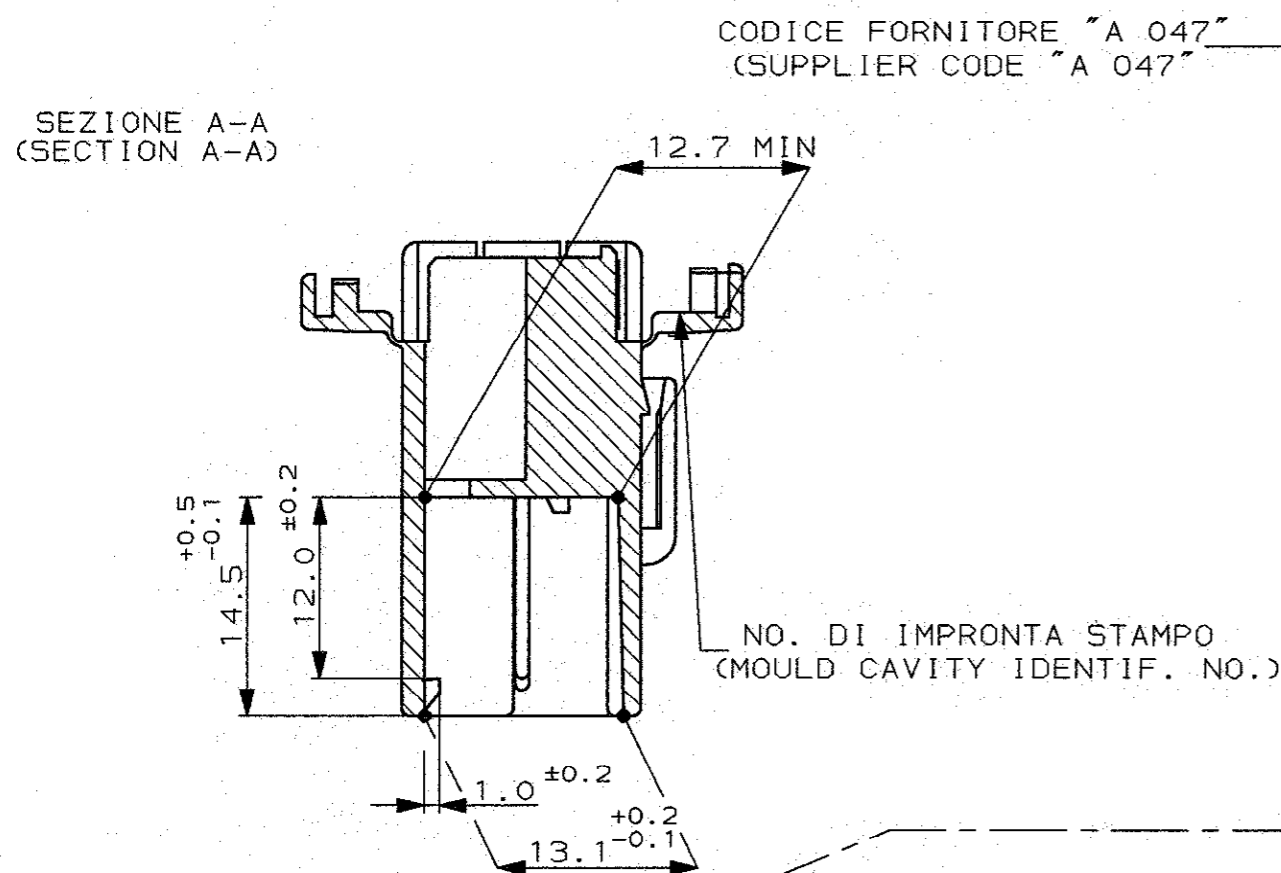


- 1) QUOTA VALIDA SOLO PER VERSIONE 282372-1 (VALID DIMENSION ONLY FOR 282372-1 VERSION)
- 2) QUOTA VALIDA PER VERSIONI POLARIZZATE P/N 282372-2; -3; -4 (VALID DIMENSION ONLY FOR P/N 282372-2; -3; -4 VERSION)
- 3) PER VERSIONI POLARIZZATE VEDERE DETTAGLIO. (FOR POLARIZATION VERSION SEE DETAIL)



282368-4	GRIGIO (GREY)	PBT UNFILLED)	282372-4	
282368-3	BLU (BLUE)		282372-3	
282368-2	NERO (BLACK)		282372-2	
282368-1	BIANCO (NATURAL)		282372-1	
PORTAFEMMINA VOLANTE (PLUG HOUSING)		COLORE (COLOUR)	MATERIALE (MATERIAL)	NUMERO (PART NUMBER)

CUSTOMER DWG. FOR REFERENCE ONLY		DISEGNO PER CLIENTE SOLO PER RIFERIMENTO	
THIS DRAWING IS UNPUBLISHED - RELEASE FOR PUBLICATION			
© COPYRIGHT 19 BY AMP INCORPORATED, HARRISBURG, PA. ALL INTERNATIONAL RIGHT RESERVED. AMP PRODUCTS MAY BE COVERED BY U.S. AND FOREIGN PATENT AND/OR PATENT PENDING.			
TOLLERANZE - SE NON DIVERSAMENTE SPECIFICATO	DIAM. ISOLANTE (INS. DIA. RANGED)	RANGO FILO (WIRE RANGED)	SCALA (SCALE)
± 0.3			2:1
A2	REVISI (REVISION RECORD)	DIS. DATA (DATE)	APP. (APP.)
A1	REVISI (REVISION RECORD)	DIS. DATA (DATE)	APP. (APP.)
1	AGGIORNATO (REVISED)	DIS. DATA (DATE)	APP. (APP.)
DESCRIZIONE (DESCRIPTION)		070 SERIES MULTILOCK* CONN. CAP HOUSING 18 POSITION (PORTAMASCHI) DOUBLE ROW	
REV. (REV.)	NUMERO (NO.)	REV. (REV.)	FOLIO (SHEET)
I A2	C-282372	A2	1 DI (OF) 1

THIS INFORMATION IS CONFIDENTIAL AND IS DISCLOSED TO YOU ON CONDITION THAT NO FURTHER DISCLOSURE IS MADE BY YOU TO OTHER THAN AMP PERSONNEL WITHOUT WRITTEN AUTHORIZATION FROM AMP ITALIA S.P.A.