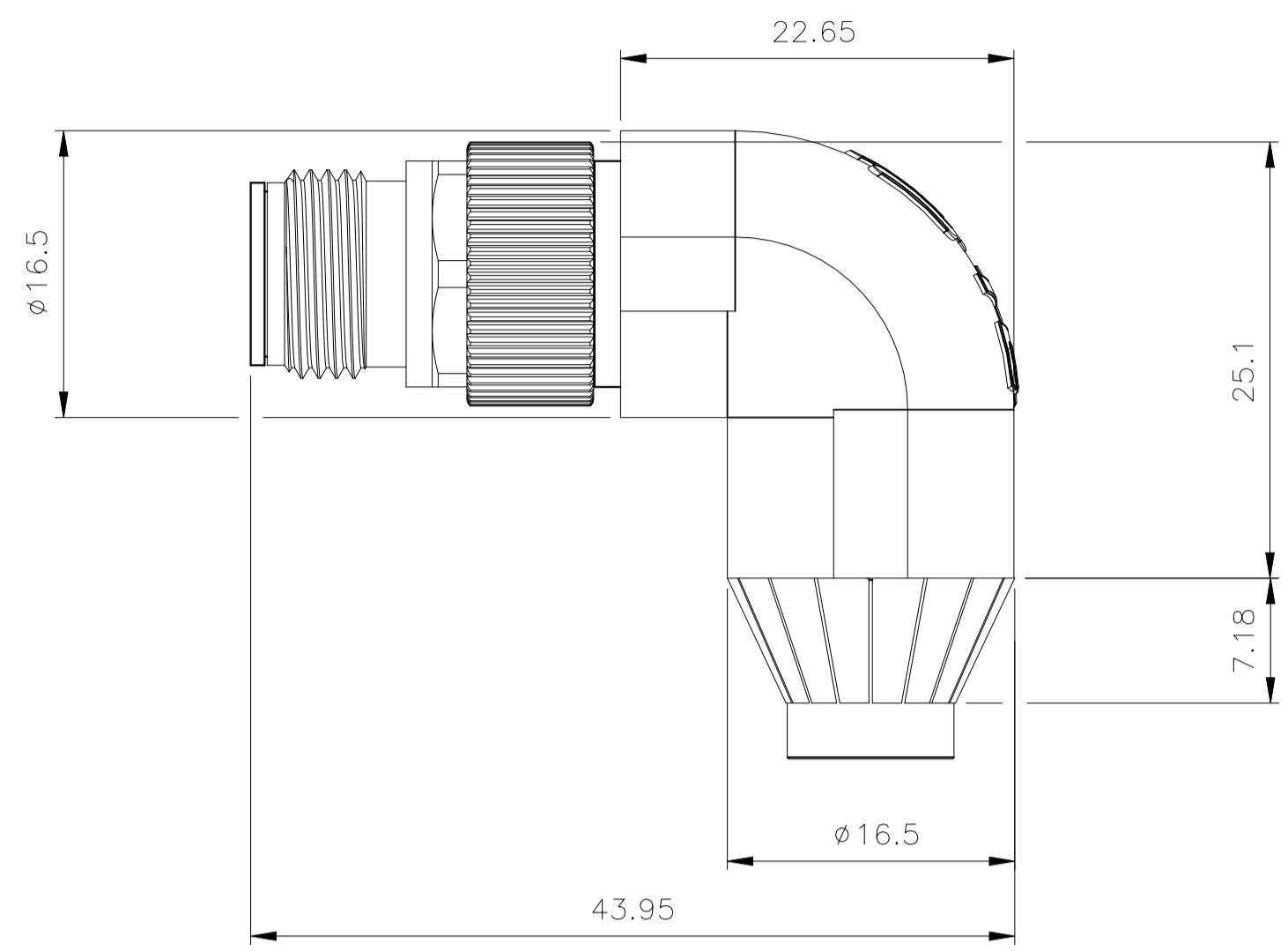
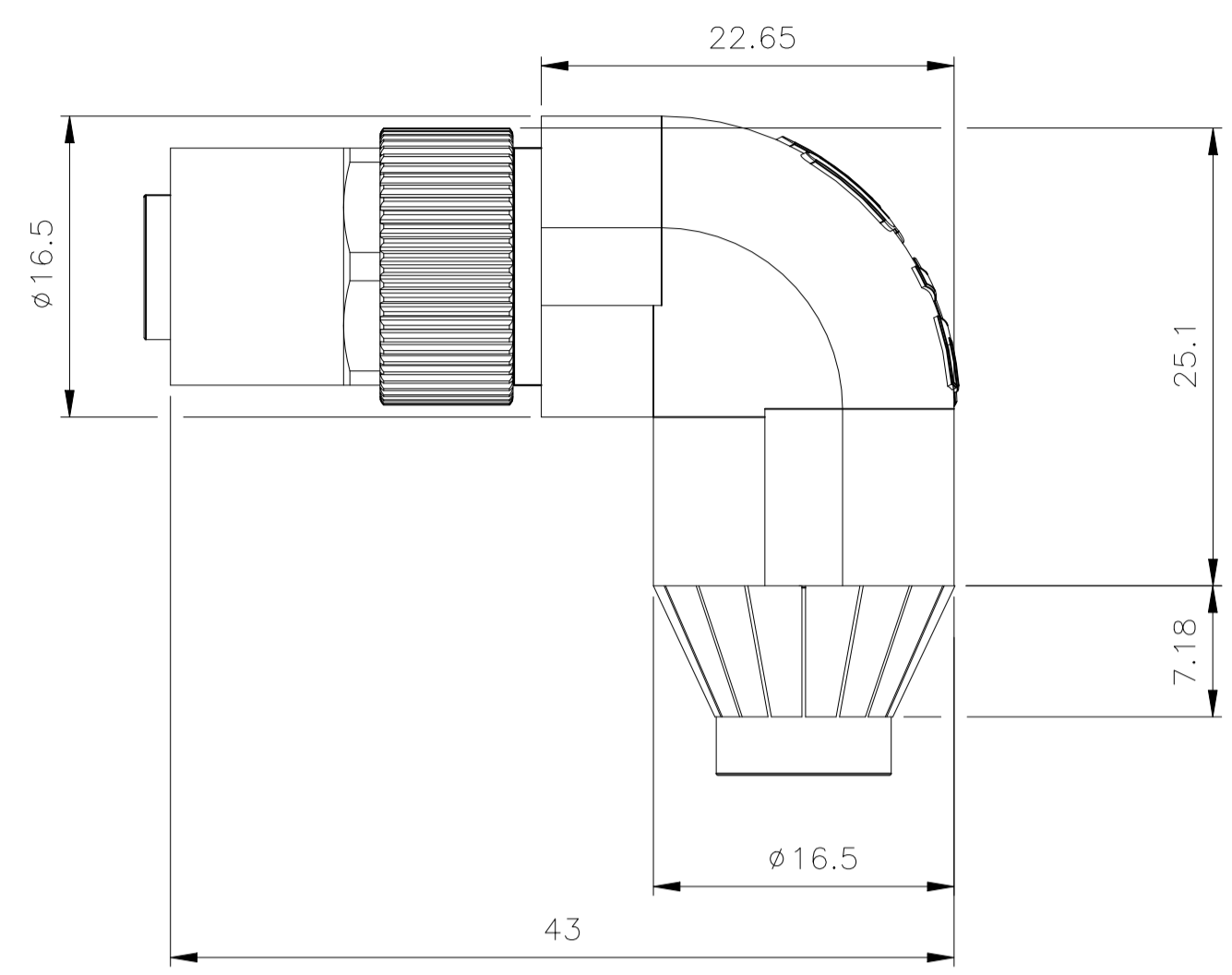


| | |
|----------|--|
| PROJECT | PRJ-14-00004825 |
| PART NO | X-2823588-X |
| HV DESC | M12 RAIL 90 DEGREE, D-CODED FIELD INSTALLABLE CONNECTORS |
| CUSTOMER | GENERAL MARKET |

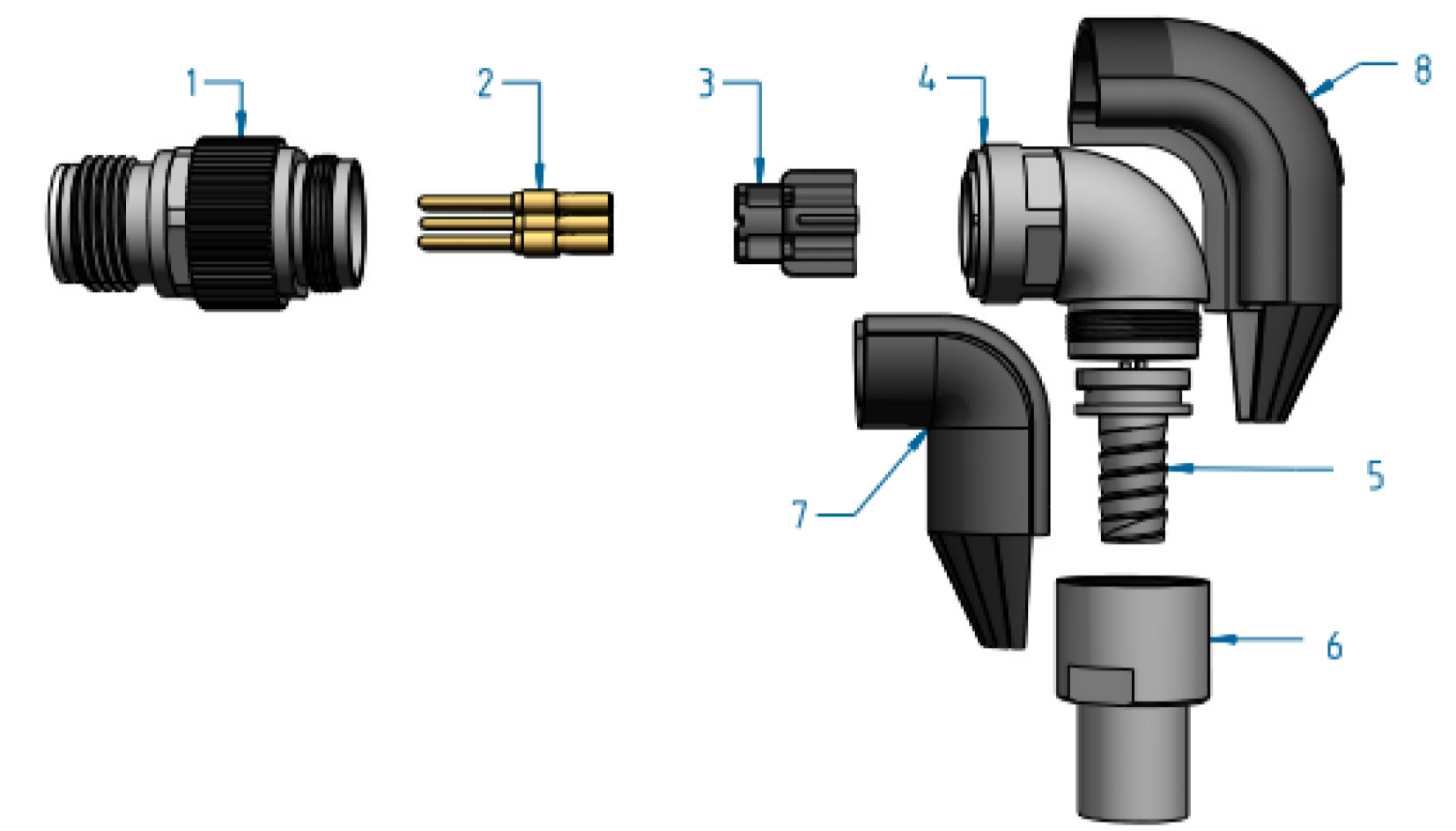
| REVISIONS | | | | |
|-----------|--------------------------------|-----------|-----|------|
| REV | DESCRIPTION | DATE | DRN | APVD |
| A2 | CRIMP TOOL INFORMATION UPDATED | 18JAN2021 | GK | SE |



SHOWN: MALE CONNECTOR WITH COVER



SHOWN: FEMALE CONNECTOR WITH COVER



SHOWN: MALE CONNECTOR WITH COVER 90°

| Cable preparation | | Recommended Contact crimping tools | | Recommended Jacket Crimping Tools | | Crimp Flange insertion | |
|-------------------|--|------------------------------------|--|-----------------------------------|--|------------------------|--|
| | | | | | | | |

| TE PN | Description | Coding | Number of positions | Gender | Number of contacts included | Connector type | Applicable on cable | Manufacturer PN | Category | Color | Conductor size | Conductor stripping | Jacket cutting | Hand tool | Contact positioner | Crimp Selection number* | Crimp Tool | Tool Setting | Handle | Insert for handle | Connector assembly tool |
|-------------|--|--------|---------------------|--------|-----------------------------|----------------|----------------------------|----------------------|----------|-------|----------------|---------------------|----------------|-----------|--------------------|-------------------------|------------|--------------|-------------|-------------------|-------------------------|
| 1-2823588-1 | M12 D-90 DEGR-M-4,CAT 5 RADOX 7.3MM, H&S | D | 4 | Male | 4 | Right Angle | Radox 7.3mm | H&S 12568935 | Cat 5 | Black | 4 x AWG22 | 734185-1 | 2119000-1 | 601966-1 | 1-2823582-1 | 6 | 2380757-2 | GREEN | 1-2823560-1 | 1-2823561-1 | 1-2823564-1 |
| 1-2823588-2 | M12 D-90 DEGR-F-4,CAT 5 RADOX 7.3MM, H&S | | | Female | | Right Angle | Radox 7.3mm | H&S 12568935 | Cat 5 | Black | 4 x AWG22 | | | | | | | GREEN | | | |
| 1-2823588-3 | M12 D-90 DEGREE-M-4, CAT 5E 8.4MM, TE | | | Male | | Right Angle | TE Cat 5e cable TECC0026C5 | TE 2320808-1 | Cat 5e | Blue | 4 x AWG22 | | | | | | | ORNAGE | | | |
| 1-2823588-4 | M12 D-90 DEGREE-F-4, CAT 5E 8.4MM, TE | | | Female | | Right Angle | TE Cat 5e cable TECC0026C5 | TE 2320808-1 | Cat 5e | Blue | 4 x AWG22 | | | | | | | ORNAGE | | | |
| 1-2823588-5 | M12 D90 DEG-M4, CAT5E,ROCKBESTO TD010301 | | | Male | | Right Angle | Exane | Rockbestos TD-010301 | Cat 5e | Black | 4 x AWG24 | | | | | | | WHITE | | | |
| 1-2823588-6 | M12 D90 DEG-F4, CAT5E,ROCKBESTO TD010301 | | | Female | | Right Angle | Exane | Rockbestos TD-010301 | Cat 5e | Black | 4 x AWG24 | | | | | | | WHITE | | | |

*TOOL SETTING MUST BE VALIDATED ON CABLE USED

NOTES:

- ALL DIMENSIONS ARE FOR NOMINAL REFERENCE ONLY.
- PACKAGING: 1 PIECE IN A BOX, CONTACTS INCLUDED.
- THE CONNECTOR IS AS PER IEC 61076-2-101.
- TEMPERATURE RANGE: WITH CABLE BOOT -40°C TO +70°C. WITHOUT CABLE BOOT -40°C TO +85°C.
- VIBRATION & SHOCK TEST CONDUCTED AS PER IEC 61373:CAT1 CLASS B.
- FIRE PERFORMANCE CONDUCTED AS PER EN45545-2 HL3 R22/R23, NFF16-101 AND NFF16-102.
- SPECIAL CRIMP FLANGE SYSTEM WITH CRIMP INSERT AND CRIMP SLEEVE SECURES THE EFFECTIVE SHIELDING OVER THE LIFETIME WITH EXTREMELY HARD CONDITIONS.
- VIBRATION AND TORSION-PROOF CABLE STRAIN RELIEF FOR ROUGH ENVIRONMENT ACHIEVED BY HEXAGONAL CRIMP OF THE CRIMP SLEEVE OF THE CRIMP FLANGE SYSTEM.
- DEGREE OF PROTECTION: IP 67 (ONLY SCREW-LOCKED).
- DATA TRANSMISSION RATE: 10/100 Mbit/s.
- CURRENT RATING: 4A, NOMINAL VOLTAGE: 50V, CONTACT RESISTANCE: ≤ 5 mΩ, INSULATION RESISTANCE: ≥ 100 mΩ.
- DURABILITY: ≥ 200 MATING CYCLES



| ITEM | DESCRIPTION | MATERIAL | QTY | UNITS |
|------|-------------------------|--------------------|-----|-------|
| 8 | TOP COVER | THERMOPLAST | 1 | PC |
| 7 | BOTTOM COVER | THERMOPLAST | 1 | PC |
| 6 | BACK NUT & CRIMP SLEEVE | Cu ALLOY Ni-PLATED | 1 | PC |
| 5 | CRIMP INSERT | Cu ALLOY Ni-PLATED | 1 | PC |
| 4 | 90° ELBOW | Cu ALLOY Ni-PLATED | 1 | PC |
| 3 | CONTACT HOLDER | THERMOPLAST | 1 | PC |
| 2 | CRIMP CONTACTS MACHINED | Cu ALLOY Au-PLATED | 5 | PC |
| 1 | FRONT HOUSING | Cu ALLOY Ni-PLATED | 1 | PC |

THIS DRAWING IS A CONTROLLED DOCUMENT.

DIMENSIONS: mm

TOLERANCES UNLESS OTHERWISE SPECIFIED:

| | |
|--------|-------|
| 0. PLC | ± 0.1 |
| 1. PLC | ± 0.1 |
| 2. PLC | ± 0.1 |
| 3. PLC | ± 0.1 |
| 4. PLC | ± 0.1 |
| ANGLES | ± 0.5 |

MATERIAL: - FINISH: -

WEIGHT: -

CUSTOMER DRAWING

DIN 164R2019
GOPALAKRISHNA HV
S EGBERT
S EGBERT
164R2019

NAME: M12 RAIL 90 DEGREE, D-CODED M-4 AND F-4 CONNECTORS

PRODUCT SPEC: 108-156001

APPLICATION SPEC

SIZE: A1

SCALE: NTS

SHEET: 1 of 1

REV: A2