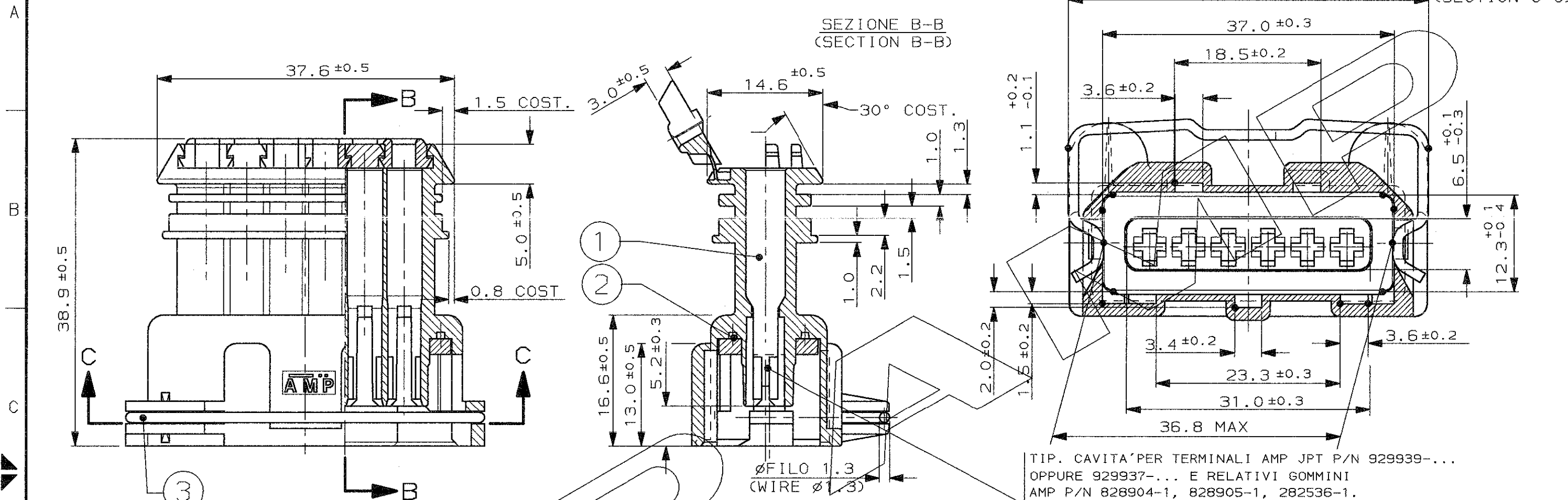
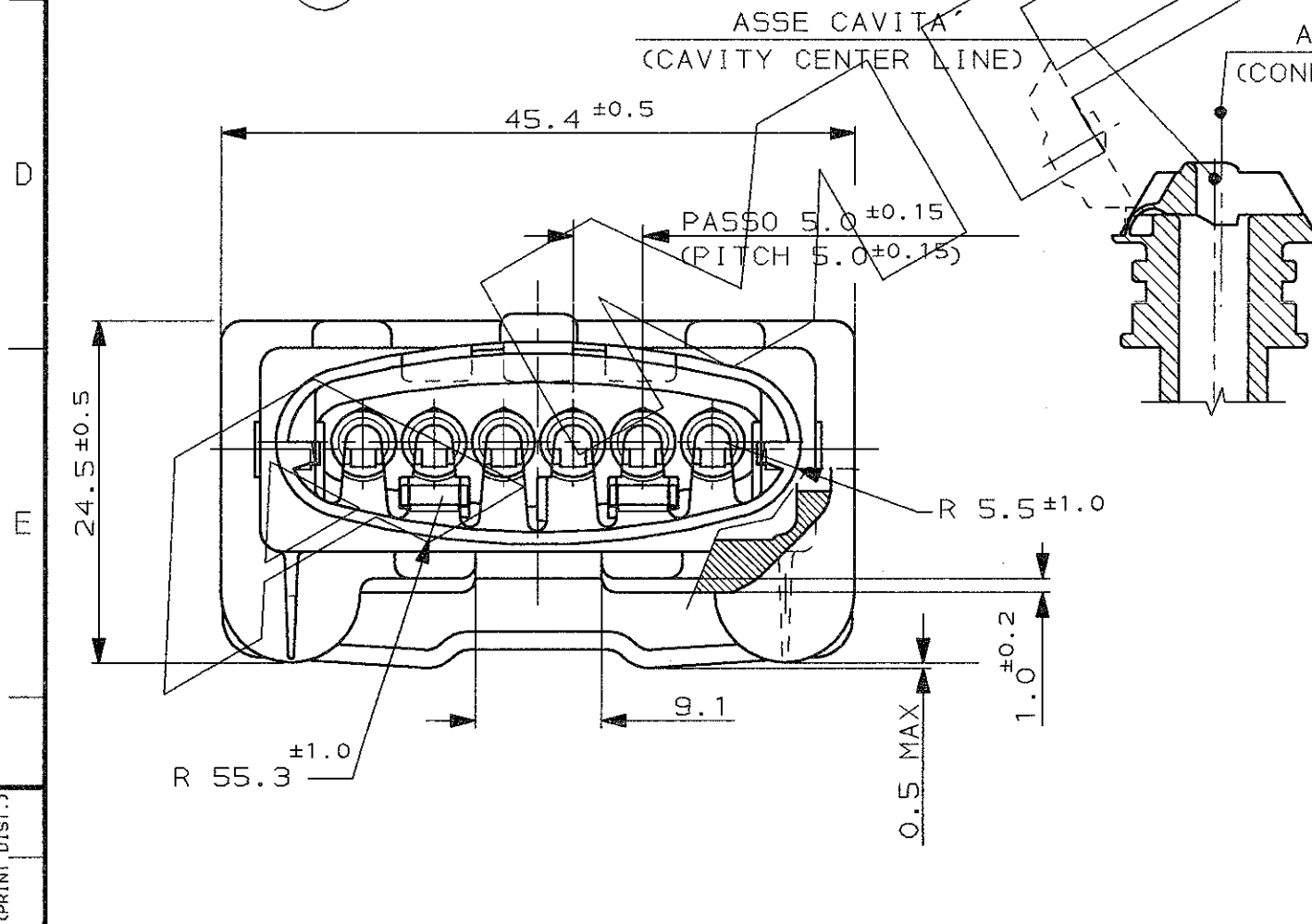


CONNETTORE TIPO A (CON MOLLA DI RITEGNO ESTERNA)
CONNECTOR TYPE A (WITH EXTERNAL SPRING)

SEZIONE C-C (SECTION C-C)



TIP. CAVITA' PER TERMINALI AMP JPT P/N 929939-...
OPPURE 929937-... E RELATIVI GOMMINI
AMP P/N 828904-1, 828905-1, 282536-1.
TAPPO CAVITA' P/N 828906-2
(TYP. CAV. FOR JPT CONT. P/N 929939-... A/O 929937-... AND REL.
SINGLE WIRE SEAL P/N 828904-1, 828905-1, 282536-1
CAVITY PLUG P/N 828906-2)



ASSE CAVITA' (CAVITY CENTER LINE)
ASSE CONNETTORE (CONNECTOR CENTER LINE)

ØFILO 1.3 (WIRE Ø 1.3)

N	NATURALE (NATURAL)	282236-2
OBSOLETE	- NERO (BLACK)	282236-1
REV.	COLORE GUARNIZIONE (SEALING COLOUR)	P/N ASSEM. ASS' M P/N
N	ECR-14-003472	MP 24MAR 2014
M1	OBSOLETO -1 CON ET00-0069-02 OBSOLETE-1 FOR ET00-0069-02	P.Z. 04-04 2002
M	AGGIORN. CON ET00-0222-01 REVISED WITH ET00-0222-01	M.P. 25-08 '01
L1	AGGIUN. -2 CON ET00-0249-00 ADDED-2 FOR ET00-0249-00	A.P. 29-01 '00
L	AGGIOR. CON ET00-0221-96 REVISED FOR ET00-0221-96	A.F. 27-5 '95
B	AGGIOR. CON ET00-0108-95 REVISED FOR ET00-0108-95	M.P. 11-5 '95
A	PRIMA EMISSIONE (GIÀ IN PRODUZIONE)	R.M. 27-9 '93
REV.	REVISIONI (REVISION RECORD)	DIS. DATA (DR. DATE)

3	//////	ACCIAIO INOX (STAINLESS STEEL)	MOLLA (SPRING)
2	VED. TABELLA (SEE TABLE)	GOMMA (RUBBER)	GUARNIZIONE (RUBBER GASKET)
1	NERO (BLACK)	PA 6.6	BLOCCHETTO 6 VIE (6 POS. HOUSING)
REV.	COLORE GUARNIZIONE (SEALING COLOUR)	P/N ASSEM. ASS' M P/N	
N° (ITEM)	FINITURA / COLORE (FINISH / COLOUR)	MATERIALE (MATERIAL)	DESCRIZIONE (DESCRIPTION)

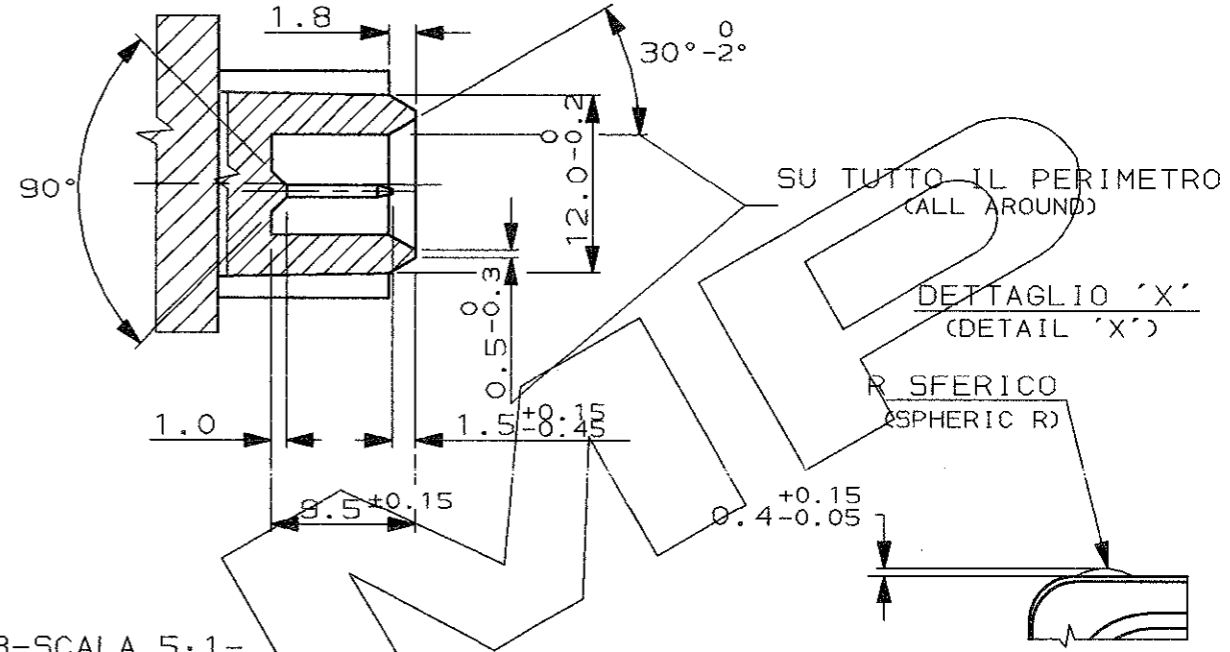
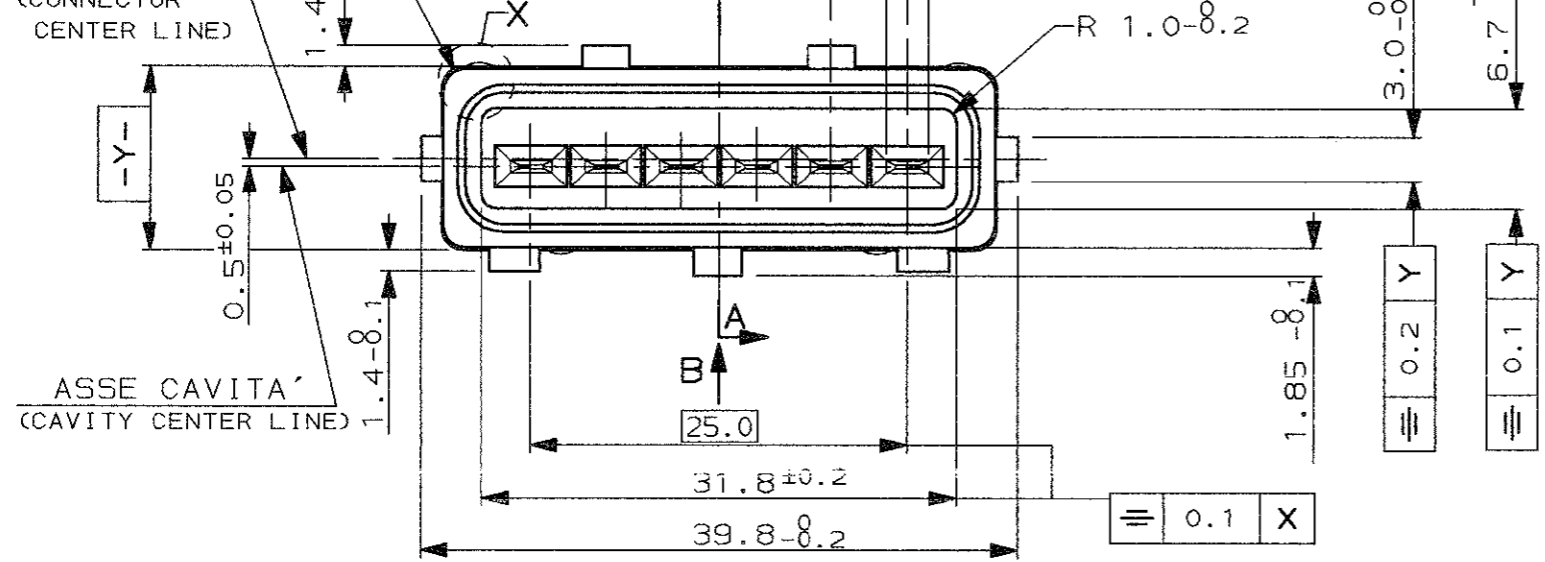
CUSTOMER DWG. FOR REFERENCE ONLY
DISEGNO PER CLIENTE SOLO PER RIFERIMENTO

THIS DRAWING IS UNPUBLISHED | RELEASE FOR PUBLICATION 19
© COPYRIGHT 19 BY AMP INCORPORATED, HARRISBURG, PA. ALL INTERNATIONAL RIGHT RESERVED. AMP PRODUCTS MAY BE COVERED BY U.S. AND FOREIGN PATENT AND/OR PATENT PENDING

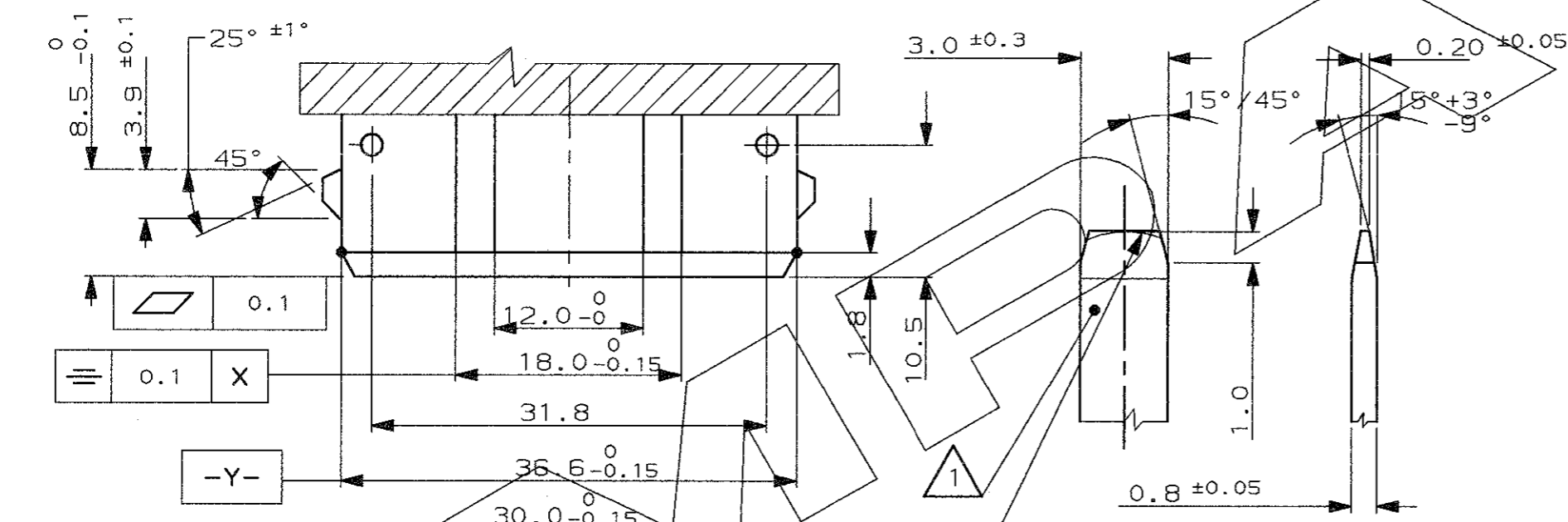
TOLLERANZE, SE NON DIVERSAMENTE SPECIFICATO (TOLERANCES, UNLESS OTHERWISE SPECIFIED)	DIAM. ISOLANTE (INS. DIA. RANGE)	RANGO FILO (WIRE RANGE)	SCALA (SCALE)
± 0.3	1.5-3.0mm REDUCED INS. CABLE	0.5-2.5mm ²	2:1

ANGOLI (ANGLES)	± 2°	DESCRIZIONE (DESCRIPTION)	6 WAY SPLASH PROOF CONN. ASSY with SECONDARY LOCK
DIS. (DR.)	25 SEPT 93 R. MARTINI	LOC. (DWG NO.)	I A3 C-282236
CONT. (CHK)	27 SEPT 93 C. TARTARI	REV. (REV.)	N
APP. (APP.)		FOGLIO (SHEET)	1 DI (OF) 2

DISTRIBUZIONE (PRINT DIST.)

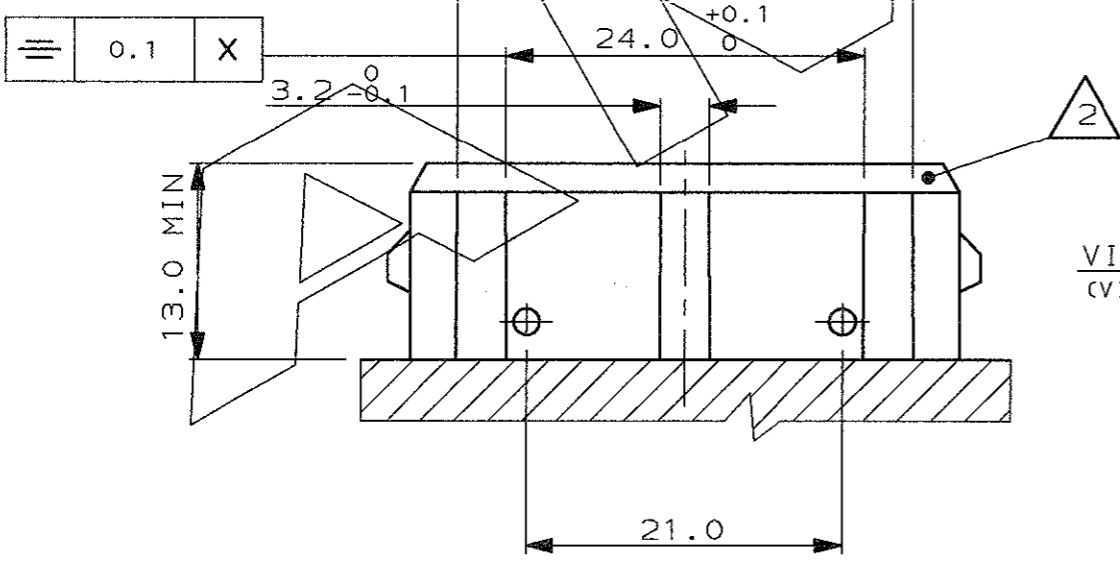


DETT. LINGUETTA TAB-SCALA 5:1 (TAB DETAIL)



- 1 MATERIALE LINGUETTA: LEGA DI RAME STAGNATA, ES. OTTONE STAGNATO. (TAB CONTACT MATERIAL: TIN PLATED COPPER ALLOY. E.G. BRASS TIN PLATED)
- 2 MATERIALE BLOCCHETTO: TERMOPLASTICO CARICATO FIBRA VETRO. (HOUSING MATERIAL: THERMOPLASTIC, GLASS FIBER FILLED)

FORMA ALTERNATIVA PERMESSA CON RAGGIO (ALLOWED ALTERNATIVE PROFILE WITH RADIUS)



REV.	REVISIONI (REVISION RECORD)	DIS. (DR)	DATA (DATE)

FINITURA / COLORE (FINISH / COLOUR)	MATERIALE (MATERIAL)	NUMERO (PART NUMBER)
CUSTOMER DWG. FOR REFERENCE ONLY	DISEGNO PER CLIENTE SOLO PER RIFERIMENTO	19
THIS DRAWING IS UNPUBLISHED - RELEASE FOR PUBLICATION		19
© COPYRIGHT 19 BY AMP INCORPORATED, HARRISBURG, PA. ALL INTERNATIONAL RIGHT RESERVED. AMP PRODUCTS MAY BE COVERED BY U.S. AND FOREIGN PATENT AND/OR PATENT PENDING		
TOLLERANZE, SE NON DIVERSAMENTE SPECIFICATO (TOLERANCES, UNLESS OTHERWISE SPECIFIED)	DIAM. ISOLANTE (INS. DIA. RANGE)	RANGO FILO (WIRE RANGE)
± 0.3	---	---
ANGOLI (ANGLES)	SCALA (SCALE)	
± 2°	---	
DIS. (DR.)	DESCRIZIONE (DESCRIPTION)	
CONT. (CHK)	6 POS. SPLASH PROOF CONN. ASS'Y with SECONDARY LOCK	
APP. (CAP)	LOC. SIZE	NUMERO (DWG NO)
SEE SHEET 1 OF 2	I A3	C-282236
REV. (REV.)	REV. (REV.)	FOGLIO (SHEET)
	N	2 OF 2

DISTRIBUZIONE (PRINT DIST.)