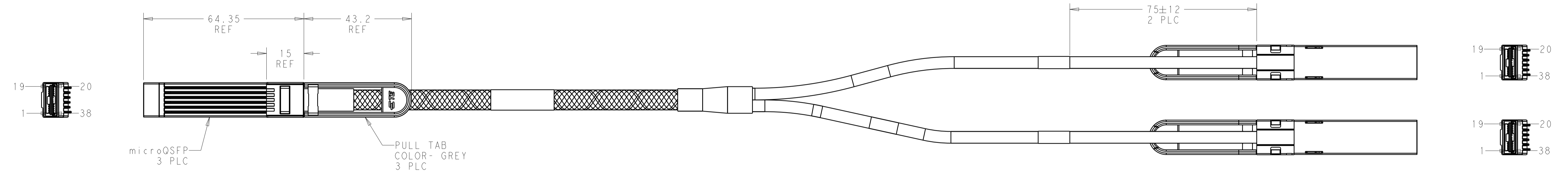
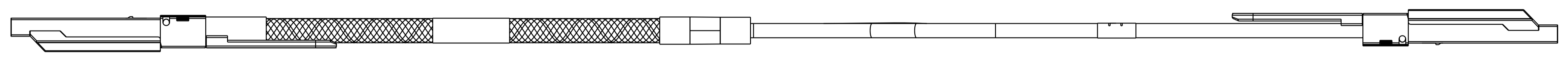
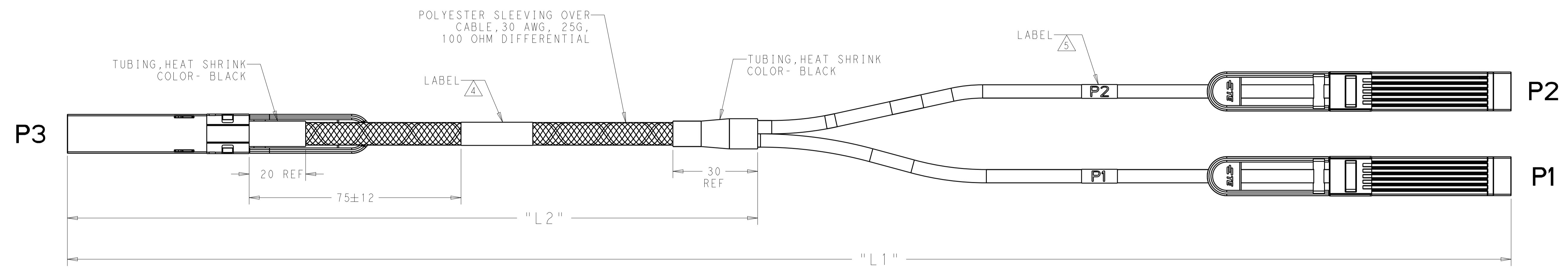


REVISIONS				
P	LTN	DESCRIPTION	DATE	APVD
1		PRELIMINARY	19APR2016	TS GF
2		ADD NOTE 6	12DEC2016	TS GF



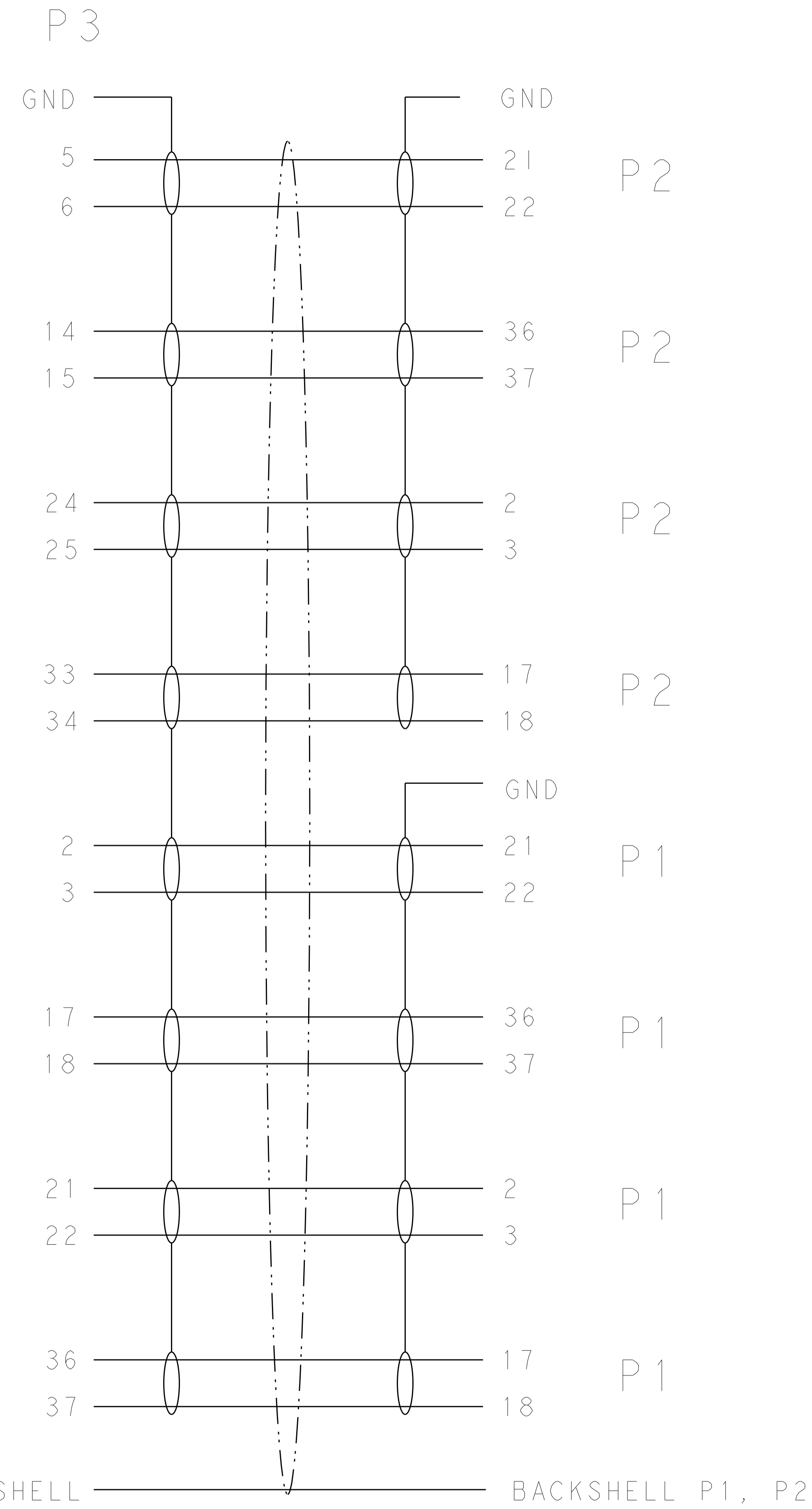
1000±25	3000±40	30 AWG	2821784-4
700±25	2000±40	30 AWG	2821784-3
330±25	1000±40	30 AWG	2821784-2
	500±25	30 AWG	2821784-1 ⁶
L2	L1	WIRE GAGE	PART NO

THIS PRODUCT HAS NOT COMPLETED VALIDATION AND QUALIFICATION TESTING

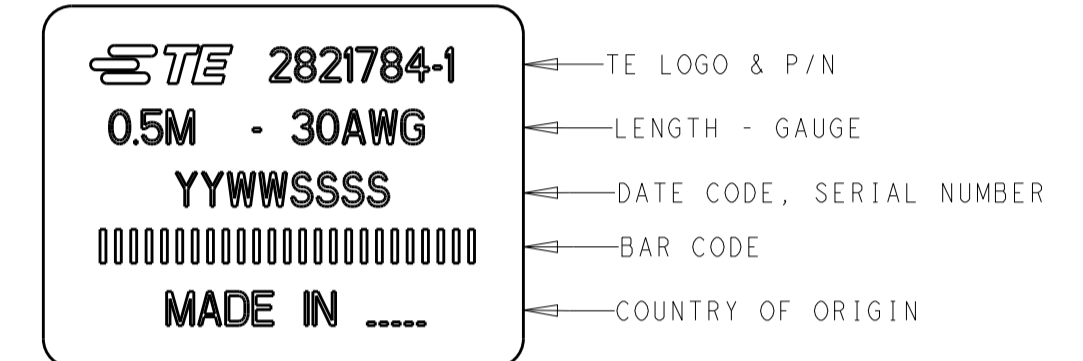
PRELIMINARY NOT RELEASED FOR PRODUCTION

THIS DRAWING IS A CONTROLLED DOCUMENT.		DWN T. SMITH 21JUL2016	STE TE Connectivity	
DIMENSIONS: mm		CHK G. FRANKLIN 21JUL2016		
TOLERANCES UNLESS OTHERWISE SPECIFIED:		APVD G. FRANKLIN 21JUL2016	NAME CABLE ASSEMBLY, microQSFP TO (2) microQSFP 30 AWG	
0 PLC ±	1 PLC ±	PRODUCT SPEC	SIZE A1	
2 PLC ±	3 PLC ±	APPLICATION SPEC	CAGE CODE DRAWING NO	
4 PLC ±	ANGLES ±	FINISH	RESTRICTED TO	
MATERIAL	FINISH	WEIGHT	SCALE 5:4 SHEET 1 OF 2 REV 2	
CUSTOMER DRAWING			C=2821784	

REVISIONS				
P	LTN	DESCRIPTION	DATE	APPD
		SEE SHEET 1		



- CHARACTERISTIC IMPEDANCE: 100±10 OHMS (MEASURED DIFFERENTIALLY)
 - CABLE ASSEMBLY TESTED FOR OPENS, SHORTS AND PROPER EEPROM PROGRAM.
 - PRODUCT AND PROCESSING MEETS THE REQUIREMENTS OF TE STANDARD TEC-138-702.
- △ LABEL INFORMATION: -1 SHOWN



△ LABEL INFORMATION:
 [P] ← APPROPRIATE "P" NUMBER

△ DUE TO SHORT CABLE LENGTH THE PART NUMBERS INDICATED MAY NOT MEET IEEE802.3bJ MINIMUM INSERTION LOSS LIMITS.

THIS DRAWING IS A CONTROLLED DOCUMENT.		DWN T. SMITH 21JUL2016 CHK G. FRANKLIN 21JUL2016 APPD G. FRANKLIN 21JUL2016		
DIMENSIONS: mm 	TOLERANCES UNLESS OTHERWISE SPECIFIED: 0 PLC ± 1 PLC ± 2 PLC ± 3 PLC ± 4 PLC ± ANGLES ± FINISH	NAME CABLE ASSEMBLY, microSFP TO (2) microSFP 30 AWG	SIZE A1	DRAWING NO. C=2821784
MATERIAL	FINISH	WEIGHT	RESTRICTED TO	SCALE 1:2 SHEET 2 OF 2 REV 2
CUSTOMER DRAWING				