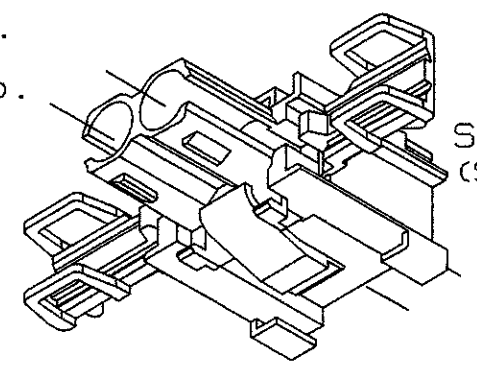
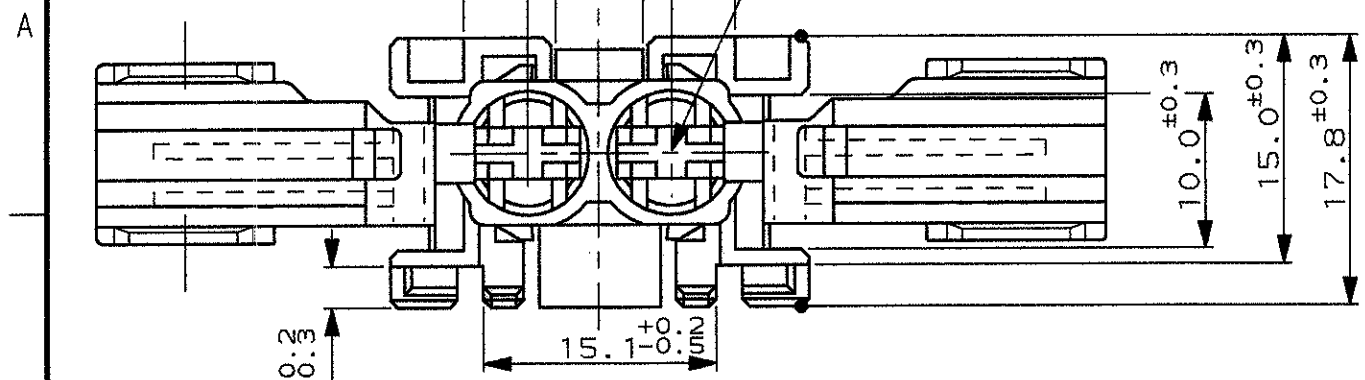


CAVITA' ADATTA PER CONTATTO STD. POWER TIMER  
 AMP P/N 927829-2, 927837-2, 927824-2, 927831-2.  
 (CAVITY SUITABLE FOR CONTACT STD. POWER TIMER  
 AMP P/N 927829-2, 927837-2, 927824-2, 927831-2).

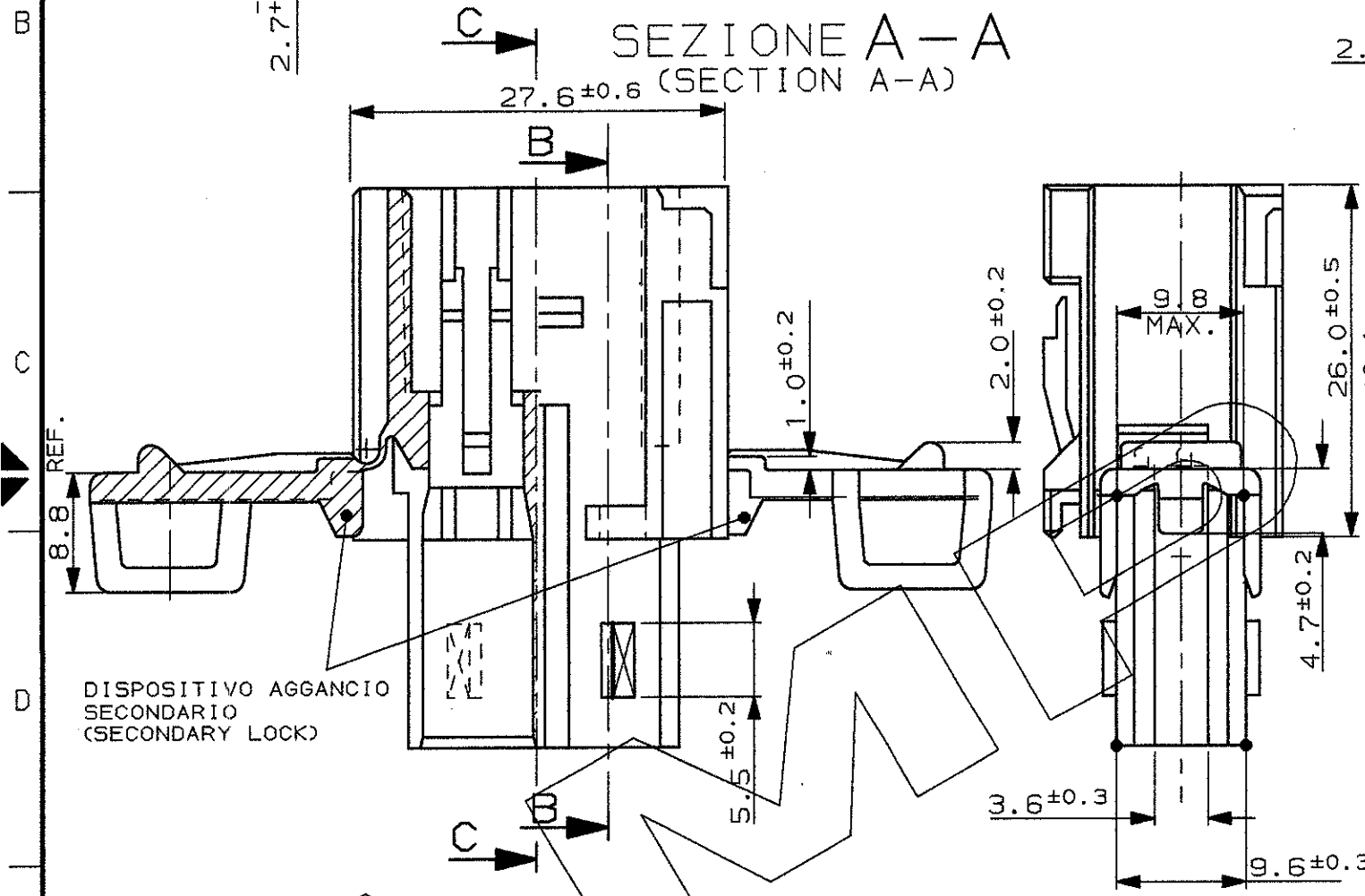


SCALA 1:1 (SCALE 1:1)

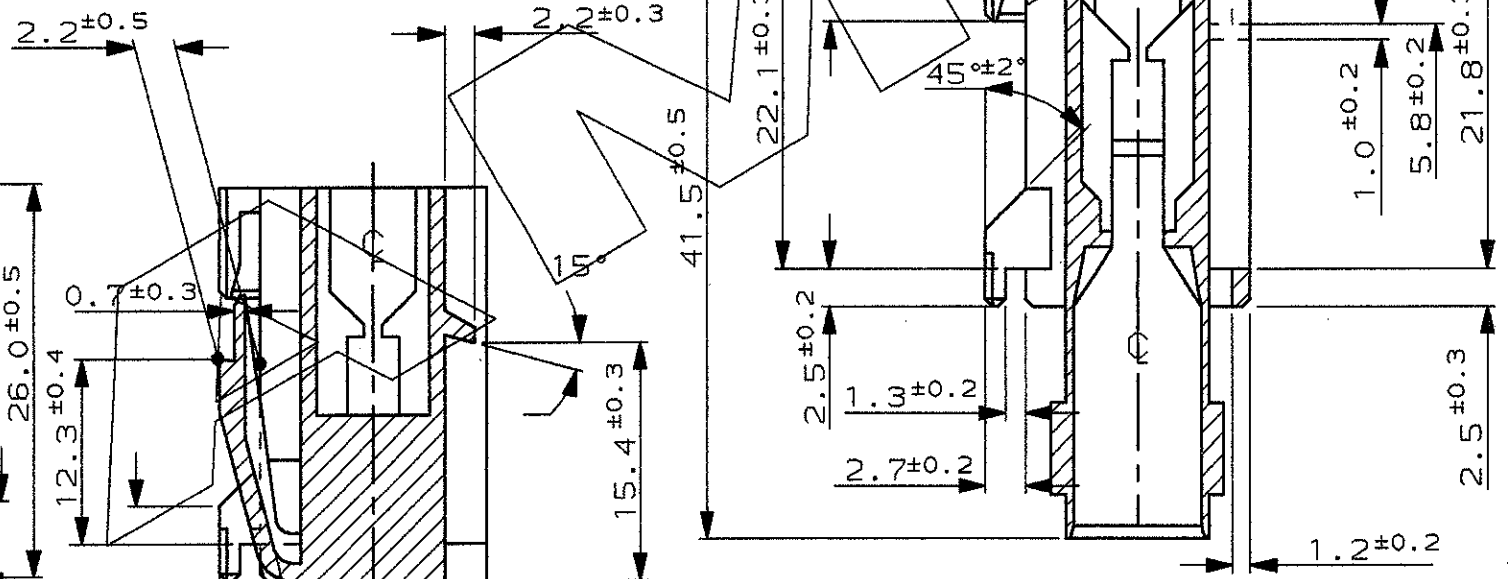
SEZIONE B-B (SECTION B-B)



SEZIONE A-A (SECTION A-A)



SEZIONE C-C (SECTION C-C)



DISPOSITIVO AGGANCIO SECONDARIO (SECONDARY LOCK)

MARCHIO DI FABBRICA AMP (AMP TRADE MARK)

ARANCIO (ORANGE)		1-282159-0
VIOLA (VIOLET)		282159-9
GRIGIO (GRAY)		282159-8
MARRONE (BROWN)		<del>282159-7</del>
NERO (BLACK)		282159-6
GIALLO (YELLOW)	PA 6.6 CARIC. VETRO (PA 6.6 G.F. FILLED)	△ 282159-5
BLU (BLUE)		△ 282159-4
VERDE (GREEN)		△ 282159-3
ROSSO (RED)		282159-2
NATURALE (CLEAR)		282159-1
FINITURA / COLORE (FINISH / COLOUR)	MATERIALE (MATERIAL)	NUMERO (PART NUMBER)

CUSTOMER DWG. FOR REFERENCE ONLY DISEGNO PER CLIENTE SOLO PER RIFERIMENTO

THIS DRAWING IS UNPUBLISHED RELEASE FOR PUBLICATION 19  
 © COPYRIGHT 19 BY AMP INCORPORATED, HARRISBURG, PA. ALL INTERNATIONAL RIGHT RESERVED. AMP PRODUCTS MAY BE COVERED BY U.S. AND FOREIGN PATENT AND/OR PATENT PENDING

E2	REVISED PER ECN-22-179551	AP/VN	18OCT 2022
E1	REVISED PER ECO-20-003218	AP/VN	08MAY 2020
E	REVISED FOR EC ET00-0138-98	M.P.	12MAY 98
D	REVISED FOR EC ET00-0530-96	A.F.	03-02 '97
C	REVISED FOR EC ET00-0381-96	A.F.	07-10 '96
B	REVISED FOR ECN. I-3226	C.I.	19-3 '93
A	IN PRODUZIONE		25-9-91
REV.	REVISIONI (REVISION RECORD)	DIS. DATA (DR) (DATE)	

TOLLERANZE, SE NON DIVERSAMENTE SPECIFICATO (TOLERANCES, UNLESS OTHERWISE SPECIFIED)	DIAM. ISOLANTE (INS. DIA. RANGE)	RANGO FILO (WIRE RANGE)	SCALA (SCALE)
± 0.3			2:1
ANGOLI (ANGLES)	± 2°		
DESCRIZIONE (DESCRIPTION) BLOCCHETTO PORTA FUSIBILI SINGOLA VIA PER FUSIBILI LAMELLARI (FUSE HOLDER 1 POS.) LOC. SIZE NUMERO (DWG NO) I A3 C-282159 E2 REV. FOGLIO (SHEET) 1 01 (OF) 1			



△ OBSOLETE

DISTRIBUZIONE (PRINT DIST.)