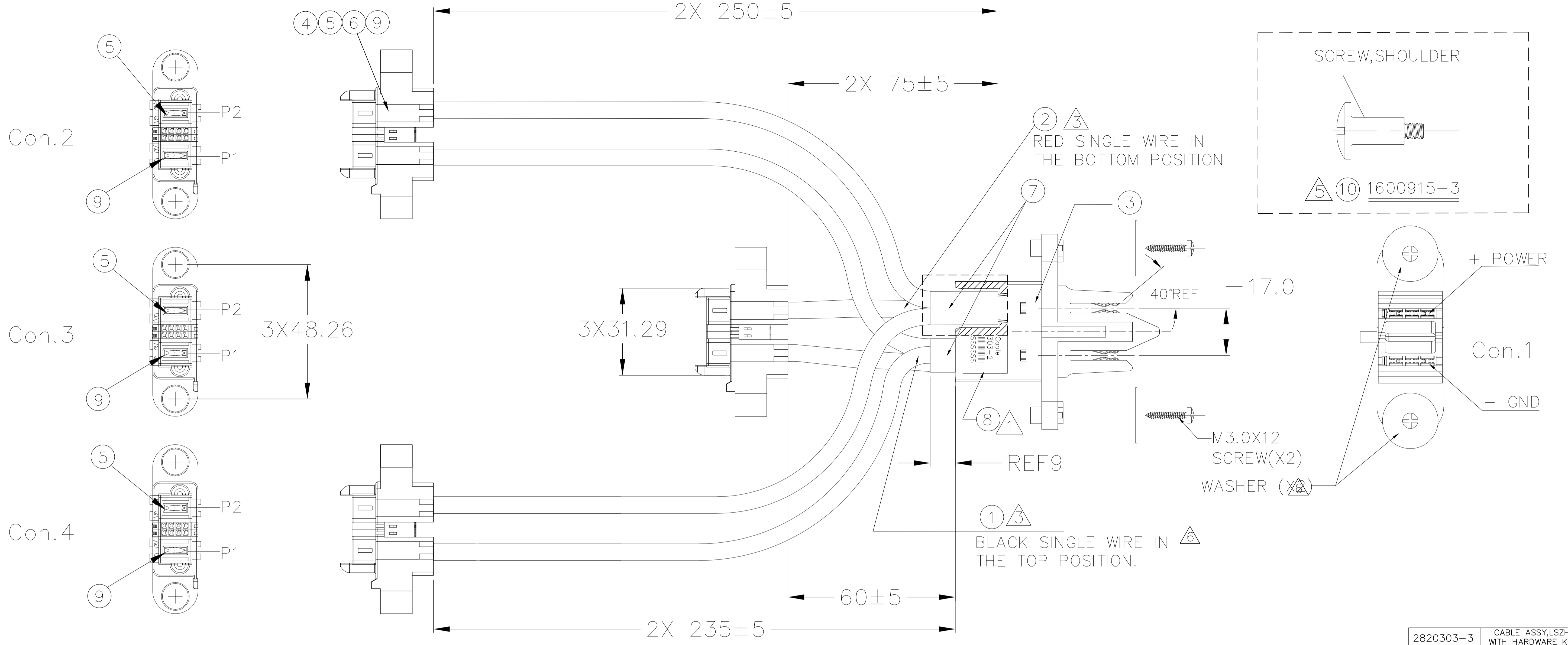


REVISIONS					
P	LTR	DESCRIPTION	DATE	DWN	APVO
E7		Revised Bus-Bar mating Interface Specifications	11AUG2016	AC	DZ



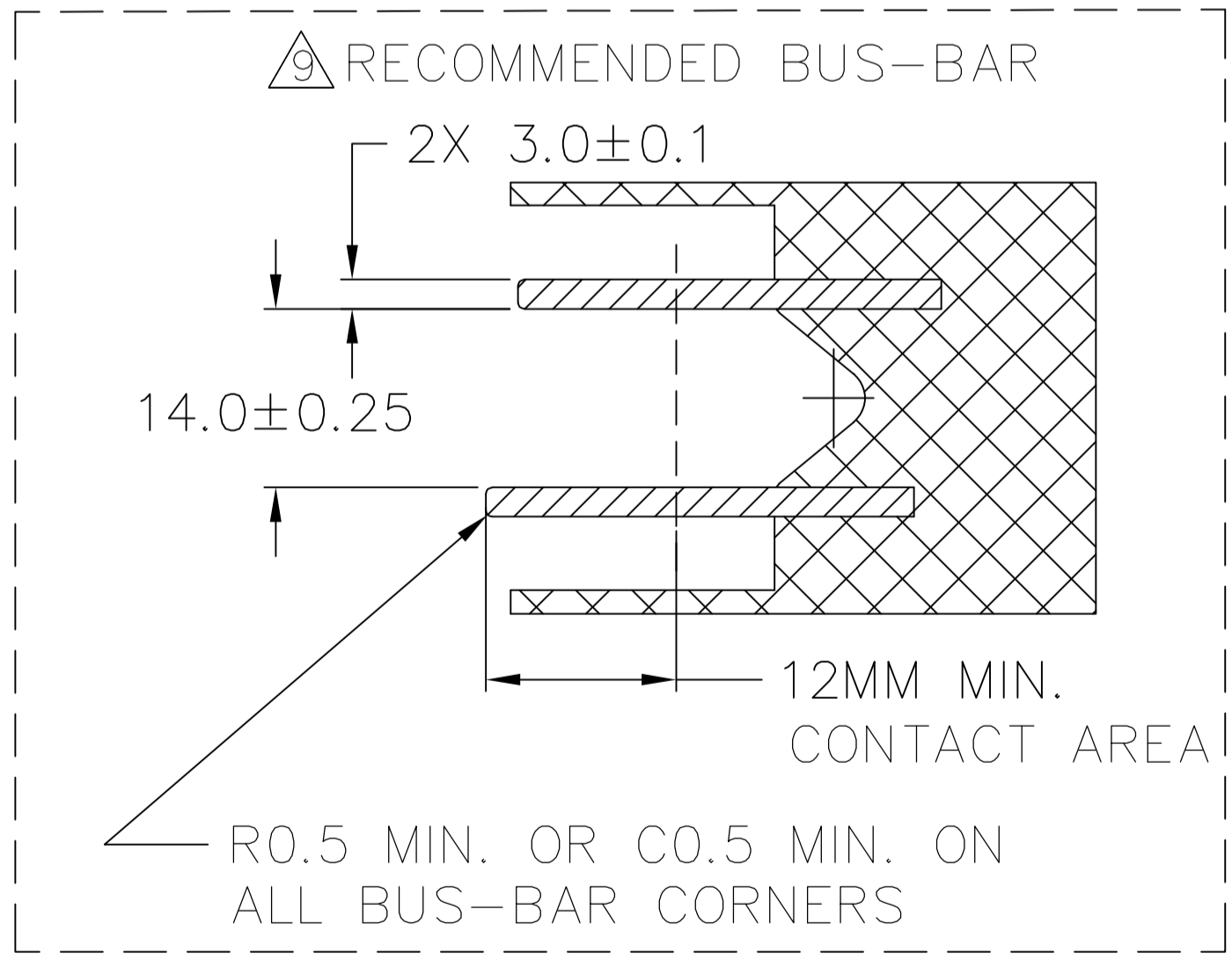
NOTES:  
 1 THE MARKING TEXT AS FOLLOWS:

Medusa Cable  
 TE PN: 2820303-2 — TE PN  
 — BAR CODE  
 SN: MCTYYWSSSSSS — MCT-Medusa Cable.YYWW-DATE CODE,SSSSSS-SERIES NUMBER.

- 2. 100% ELECTRICALLY TESTED: OPEN/SHORT,HI-POT.  
 HI-POT: 500VDC, 50 MEGA OHMS FOR 100 MILLISECONDS.
- 3 SINGLE WIRE WILL BE ALTERNATING PATTERN WHEN CRIMPING CCJ TERMINAL.
- 4. ROHS COMPLIANCE: PRODUCT AND PROCESSING MEETS REQUIREMENTS OF TE SPECIFICATION TEC-138-702.
- 5 HARDWARE KIT FOR MBXLE ONLY SCREW IS SUPPLIED BY TE. THE SCREWS WILL BE PACKAGED SEPARATELY. NUT WILL BE SUPPLIED BY CUSTOMER.
- 6 SCREWS AND WASHERS FOR CCJ HOUSING WILL BE PACKAGED SEPARATELY. RECOMMENDED TORQUE 4kgf.cm MAX.
- 7 INDIVIDUALLY PACK EACH CABLE ASSEMBLY WITH A CLEAR ANTI-STATIC ZIPLOCK BAG.
- 8 APPLY LABEL ONTO CLEAR ANTI-STATIC ZIPLOCK BAG,THE MARKING TEXT AS FOLLOWS:

TE P/N REV.\* — TE PN &REV.  
 DATE CODE: YYWW — YY: Year; WW: week.  
 MADE IN \*\*\*\* — Country of Origin

9 THE MATTED BUS-BAR SHOULD HAVE SURFACE ROUGHNESS Ra 1.6um MAX. SHOULD HAVE PLATING 3um MIN. SILVER IN CONTACT AREA, AND 1.27um MIN. Ni ALL-OVER.



WIRING CHART

FROM	TO	COLOR	SIZE
Con.2-P1	Con.1	BLACK	8 AWG
Con.3-P1	- GND		
Con.4-P1			
Con.2-P2	Con.1	RED	8 AWG
Con.3-P2	+ POWER		
Con.4-P2			

2820303-3	CABLE ASSY,LSZH WITH HARDWARE KIT
2820303-2	CABLE ASSY WITH HARDWARE KIT
2820303-1	CABLE ASSY ONLY
TE P/N	NOTE

QTY	UNIT	QTY	UNIT	QTY	UNIT	QTY	UNIT	DESCRIPTION	ITEM NO
1	1	-	PC					LABEL ON THE ANTI-STATIC ZIPLOCK BAG.	12
1	1	-	PC					CLEAR ANTI-STATIC ZIPLOCK BAG.	11
6	6	-	PC					HARDWARE KIT FOR X,Y FLOATING SCREW,SHOULDER.	10
3	3	3	PC					MBXLE RECEPT POWER CONTACT MFBL.	9
1	1	1	PC					LABEL	8
AR	AR	AR	M					HEAT SHRINK TUBE	7
6	6	6	PC					MBXLE RECEPT POWER LOCK.	6
3	3	3	PC					MBXLE RECEPT POWER CONTACT STD.	5
3	3	3	PC					MBXLE RECEPT PMT CABLE HOUSING 1P/8S/1P	4
1	1	1	PC					CCJ CONNECTOR.	3
AR	-	-	FT					WIRE, 8AWG,HIGH STRAND/HIGH FLEX,RED,LSZH	2
-	AR	AR	FT					WIRE, 8AWG,HIGH STRAND/HIGH FLEX,RED. VENDOR:Hwatek.Alternative:New England.	
AR	-	-	FT					WIRE, 8AWG,HIGH STRAND/HIGH FLEX,BLACK,LSZH	1
-	AR	AR	FT					WIRE, 8AWG,HIGH STRAND/HIGH FLEX,BLACK. VENDOR:Hwatek.Alternative:New England.	
-3	-2	-1	U/M						

THIS DRAWING IS A CONTROLLED DOCUMENT.

DIMENSIONS: mm	TOLERANCES UNLESS OTHERWISE SPECIFIED:	DWN: Grace Li 04DEC2013	CHK: Glen Gutgold 04DEC2013	APVD: David Zhang 04DEC2013	NAME: David Zhang
0 PLC ±	± 0.40	PRODUCT SPEC: 108-2157/152000			
1 PLC ±	± 0.25	APPLICATION SPEC: 114-13112			
2 PLC ±	±	SIZE: A1			
3 PLC ±	±	CAGE CODE: 00779			
4 PLC ±	±	DRAWING NO: 2820303			
ANGLES	±	WEIGHT: 288			
MATERIAL	FINISH	CUSTOMER DRAWING			

STE TE Connectivity  
 CABLE ASSY,CUBBY POWER Medusa,E5  
 SCALE: N.T.S. SHEET 1 OF 1 REV E7