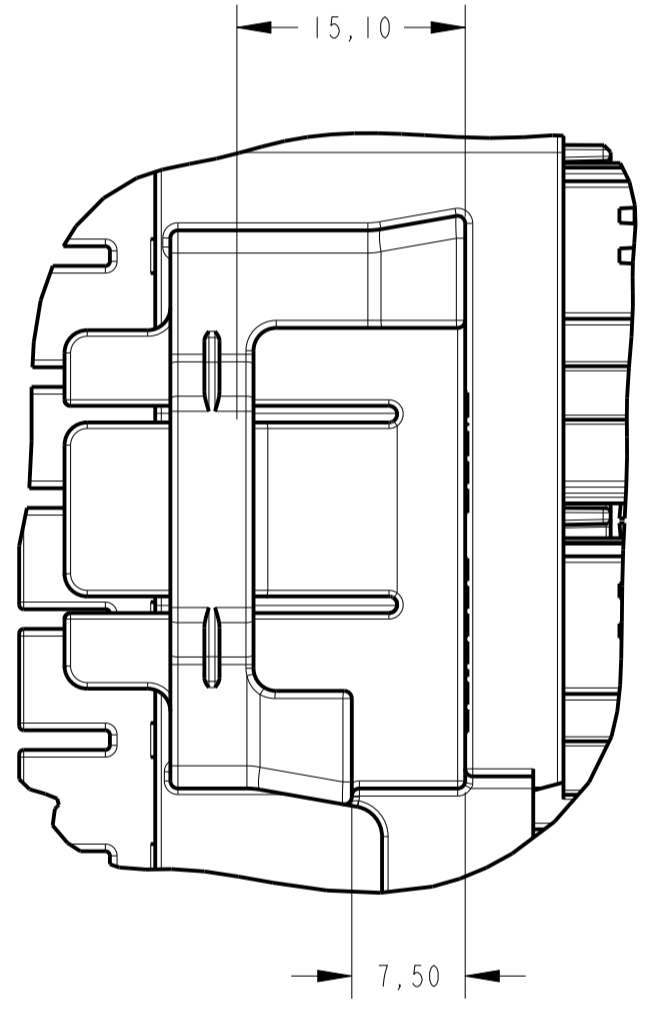
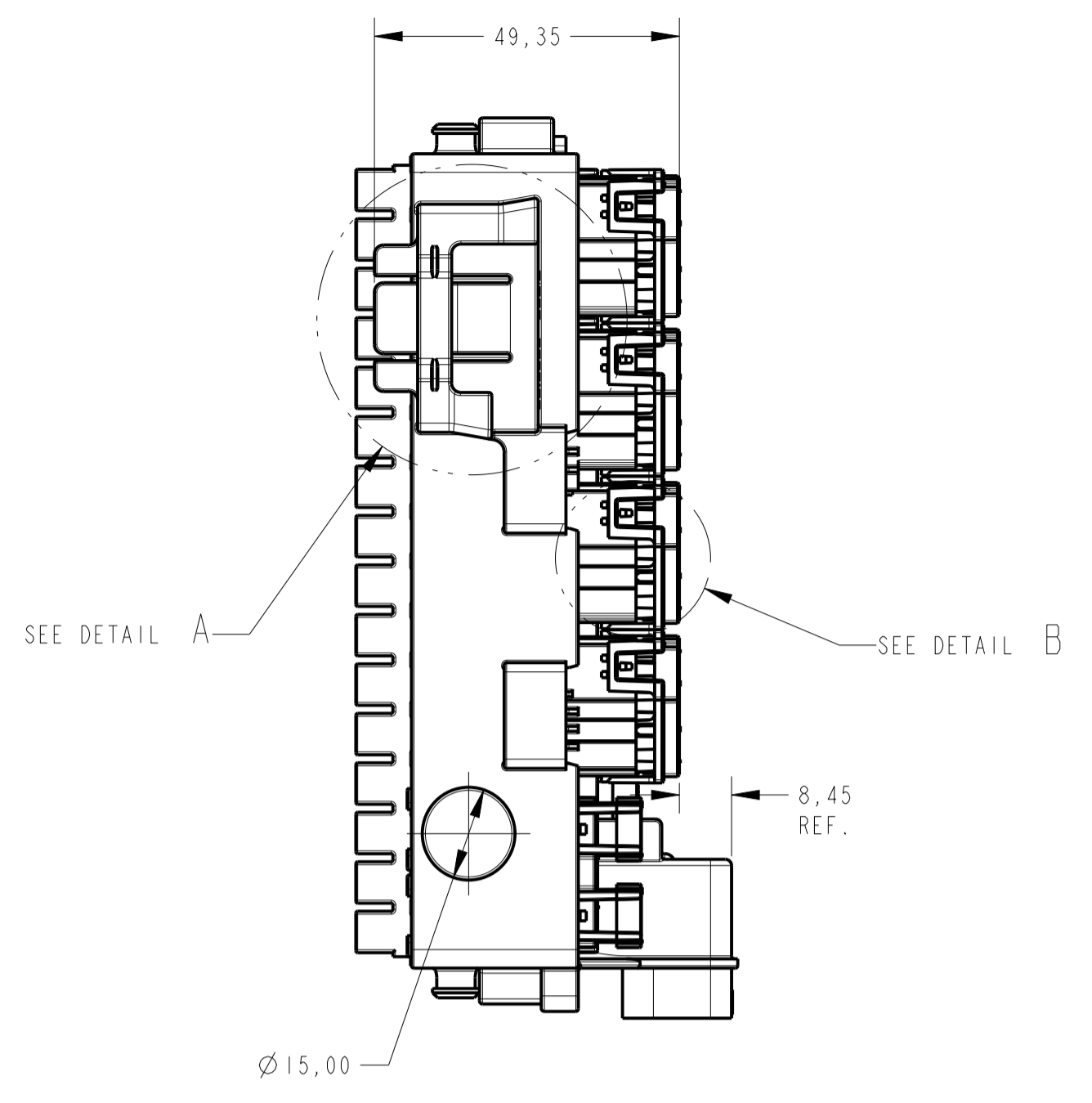
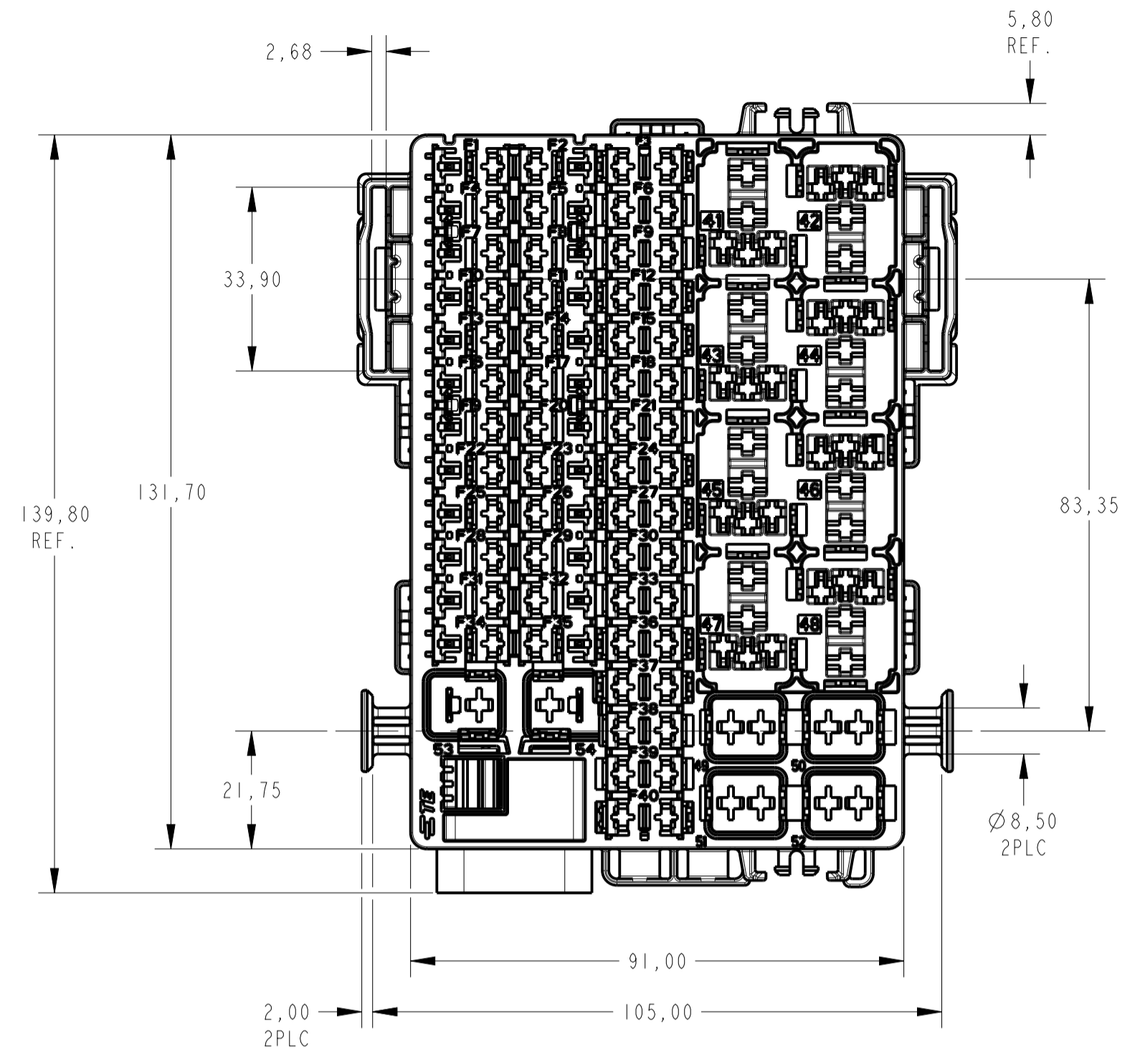
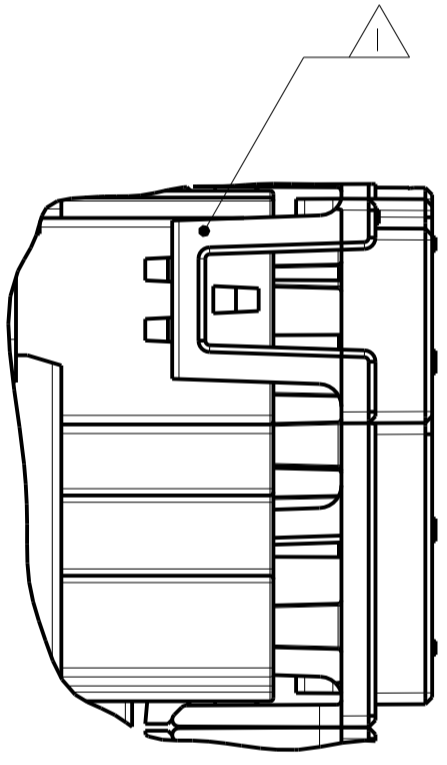


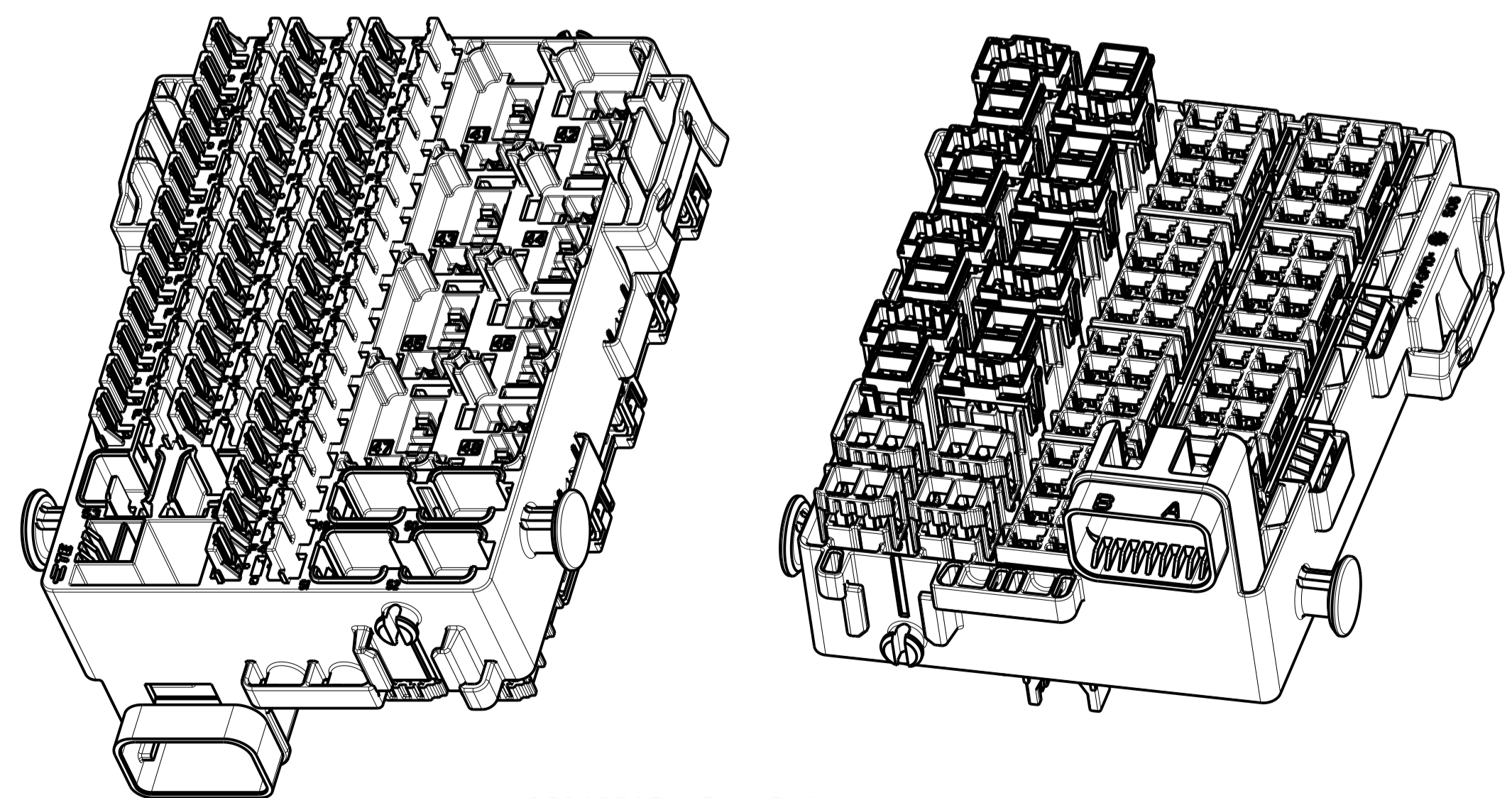
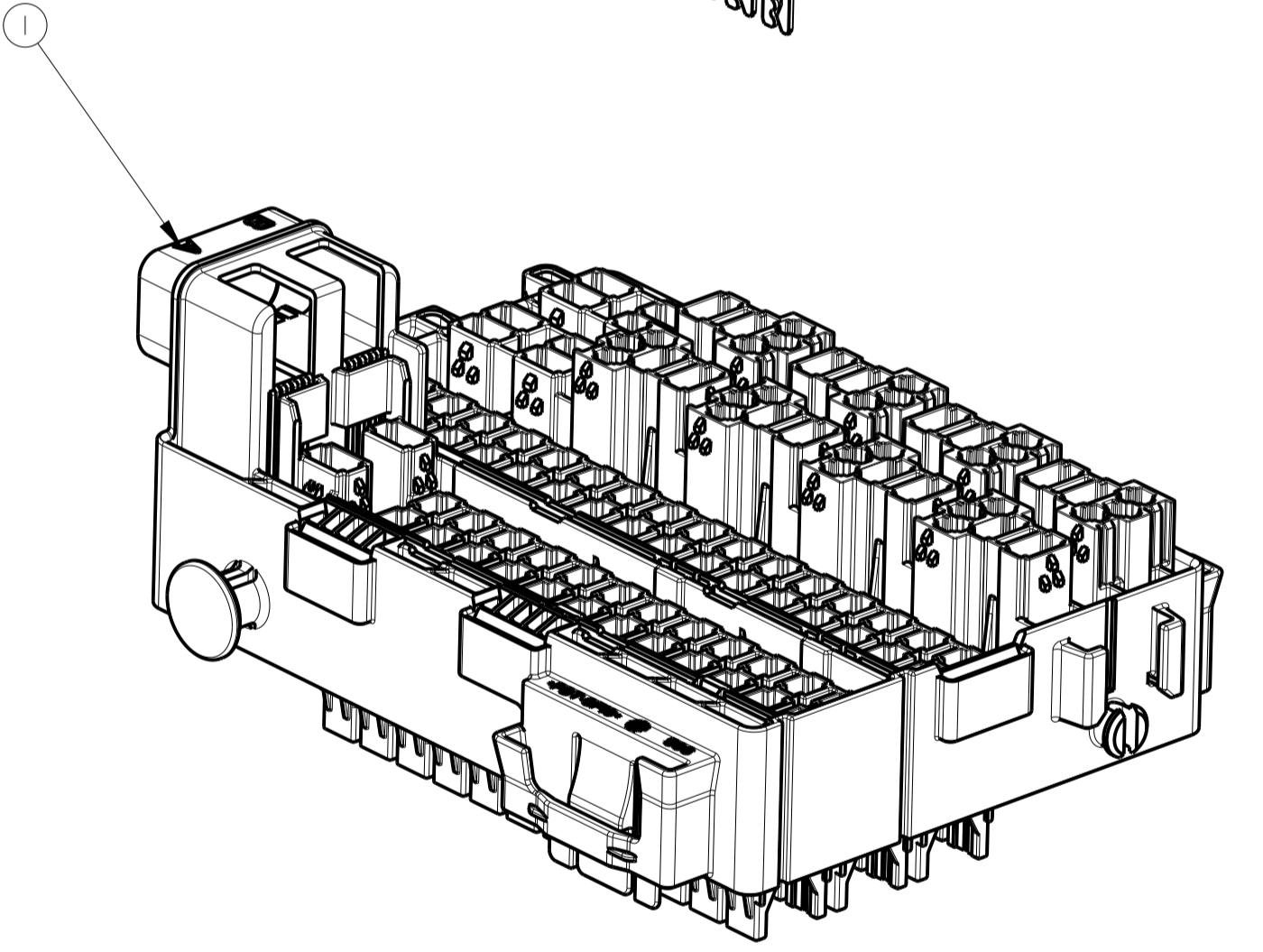
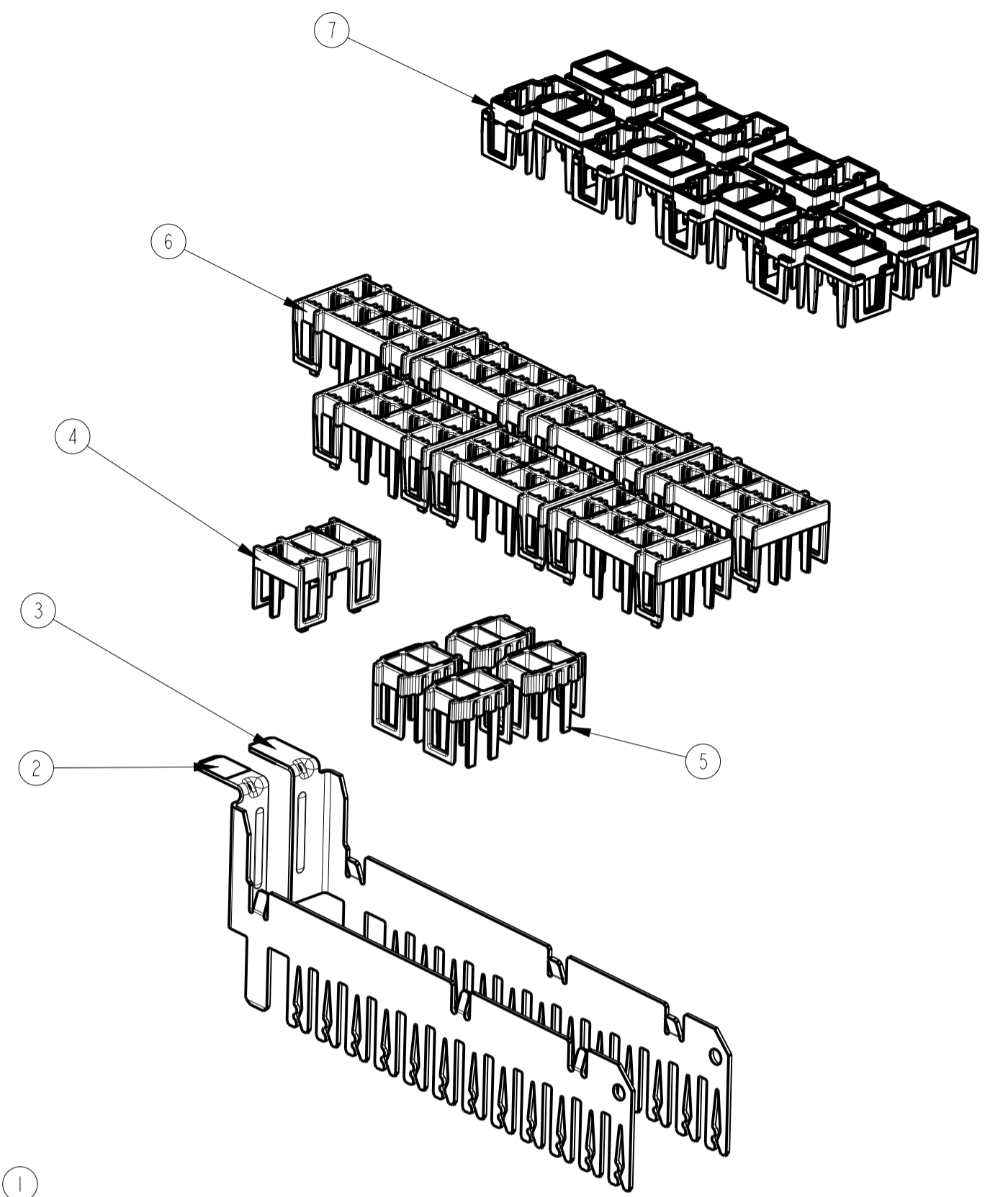
REVISÕES		DATA	DMN	APVD
P	LTM	DESCRIPTION		
C		REVISED DRAWING ECO-16-016152	10NOV2016	NCL NMS



DETAIL A
SCALE 2:1



DETAIL B
SCALE 3:1



PERSPECTIVE VIEWS
SCALE 1:1

- ⚠️ - TODAS AS TRAVAS SECUNDÁRIAS DEVEM ESTAR NA POSIÇÃO DE PRÉ-TRAVAMENTO, CONFORME MOSTRADO NA IMAGEM.
- 2 - OS PNs 2819049-1 (WIRE DRESS), E 2819059-1 (RELAY HOLDER) E 936086-1 (FUSE PULLER) SÃO PEÇAS COMPLEMENTARES PARA O COMPLETO FUNCIONAMENTO DESTES CONJUNTO.
- ⚠️ - ALL SECONDARY LOCKS MUST BE ON THE PRE-LOCK POSITION, ACCORDING TO THE SHOWN IMAGE.
- 2 - THE TE PNs 2819049-1 (WIRE DRESS), 2819059-1 (RELAY HOLDER) AND 936086-1 (FUSE PULLER) ARE COMPLEMENTARY PARTS FOR THE COMPLETE OPERATION OF THIS KIT.

QTY	REQ. PER ASSY	ITEM	DESCRIPTION	MATERIAL	NOTES
8	8	8	SEC LOCK MINI RELAY	PA66 + GF25%	NATURAL
-	-	7	SEC LOCK MINI RELAY	PA66 + GF25%	VIOLETA
7	7	6	SEC LOCK MINI FUSE	PA66 + GF25%	AZUL
4	4	5	SEC LOCK JCASE OUT	PA66 + GF25%	CINZA
1	1	4	SEC LOCK JCASE BUSBAR	PA66 + GF25%	VERMELHO
1	1	3	BUSBAR LEFT	COBRE FERRO	---
1	1	2	BUSBAR RIGHT	COBRE FERRO	---
1	1	1	FRAME	PBT + GF10%	BLACK

THIS DRAWING IS A CONTROLLED DOCUMENT.

DIMENSIONS:	TOLERANCES UNLESS OTHERWISE SPECIFIED:	DMN	P. PULGROSSI	20FEB2014
mm	0 PLC ±0,3	CHK	J. R. GOLDSCHMIDT	20FEB2014
	1 PLC ±0,3	APVD	N. M. SANTOS	20FEB2014
	2 PLC ±0,4	PRODUCT SPEC		
	3 PLC ±0,4	APPLICATION SPEC		
	4 PLC ±0,5	WEIGHT		
MATERIAL	FINISH	SIZE	CAGE CODE	DRAWING NO
VER TABELA		A1		C=2819051
SEE TABLE		CUSTOMER DRAWING	SCALE	1:1

RESTRICTED TO