

THIS DRAWING IS UNPUBLISHED.
DIFFUSION RESTREINTE

RELEASED FOR PUBLICATION
LIBRE A LA DIFFUSION

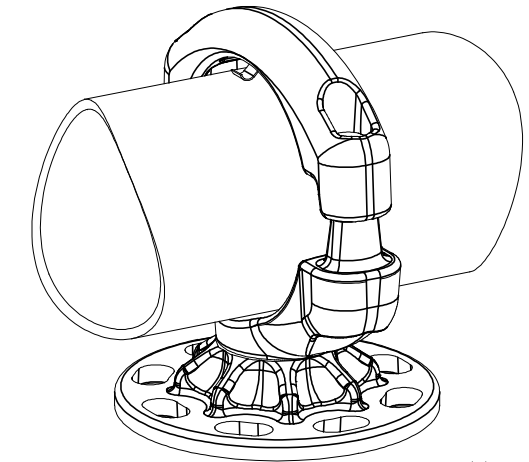
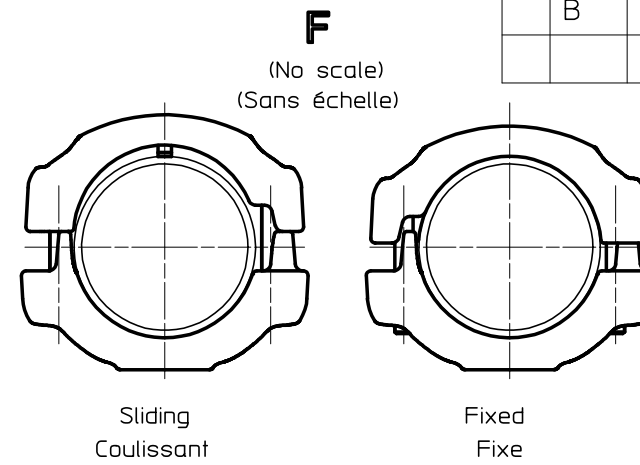
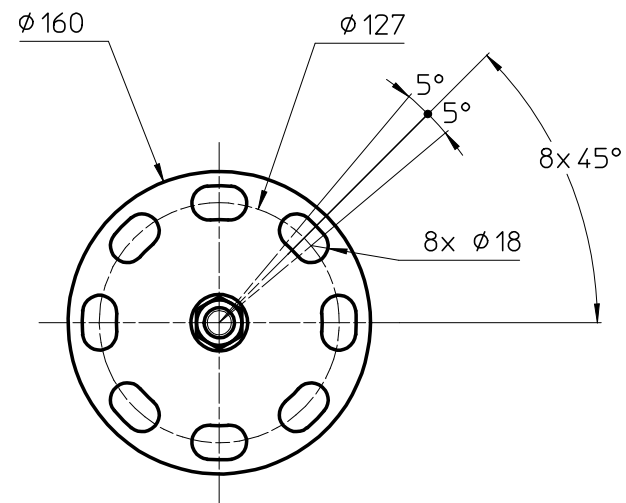
2011

© COPYRIGHT 2011 by Tyco Electronics Corporation

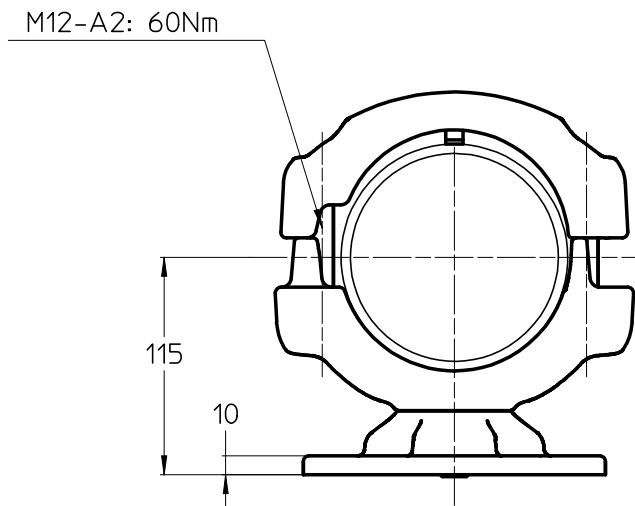
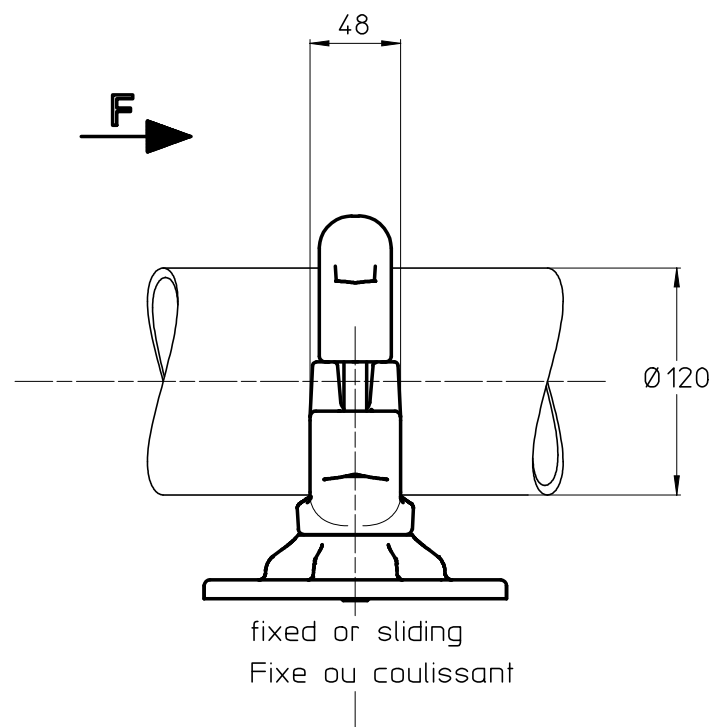
ALL RIGHTS RESERVED.
TOUS DROITS RESERVES

LOC	DIST
-	-

P		LTR REV	DESCRIPTION MODIFICATIONS	DATE	DWN DESS	APVD APPR
	A		CREATION	29-Nov-13	TC	-
	B		UPDATED DRAWING	21-Jul-13	JG	-



No scale
Sans échelle



CONNECTOR - RACCORD	
MATERIEL - MATIERE	Al
VOLTAGE - TENSION	420 kV
RATED CURRENT - I _n	-
SHORT TIME CURRENT - I _{cc}	-

PROJECT - PROJET	
VOLTAGE - TENSION	
CUSTOMER - CLIENT	

FIXATION:

THIS DRAWING IS A CONTROLLED DOCUMENT. CE PLAN EST UN DOCUMENT CONTRÔLÉ PAR TYCO ELECTRONICS CORPORATION IL EST SUSCEPTIBLE D'ÊTRE REVISÉ. POUR OBTENIR LA DERNIÈRE RÉVISION, CONTACTER LE SERVICE TECHNIQUE DE TYCO ELECTRONICS SIMEL SAS, 21720 GEVREY-CHAMBERTIN, FRANCE.		DWN /DESSINE CHARTON	29-Nov-13		TE connectivity SIMEL PRODUCTS
DIMENSIONS: mm		CHK/VERIFIE	-		
TOLERANCES UNLESS OTHERWISE SPECIFIED PER TOLERANCES NON SPECIFIEES SELON : -		APVD/APPROUVE	-	NAME /TITRE Ø120 BUSBAR SUPPORT ON P5 BPI SUPPORT TUBE Ø120 SUR ISO P5 5 TS 82 P5 T120	
MATERIAL /MATIERE		PRODUCT SPEC /SPEC. PRODUIT	108-69090-001	SIZE /FORMAT	A3
FINISH /FINITION		APPLICATION SPEC /SPEC. APPLICATION	-	CAGE CODE	00779
APPROX. WEIGHT /MASSE APPROX.		APPROX. WEIGHT /MASSE APPROX.	1.84 kg	DRAWING NO /No PLAN	C=2818202
CUSTOMER DRAWING /PLAN CLIENT		UNIQUEMENT /POUR REFERENCE	SCALE /ECHELLE	1/4	SHEET /FEUILLE
				1	OF /DE
				1	REV
					B

ITEM: