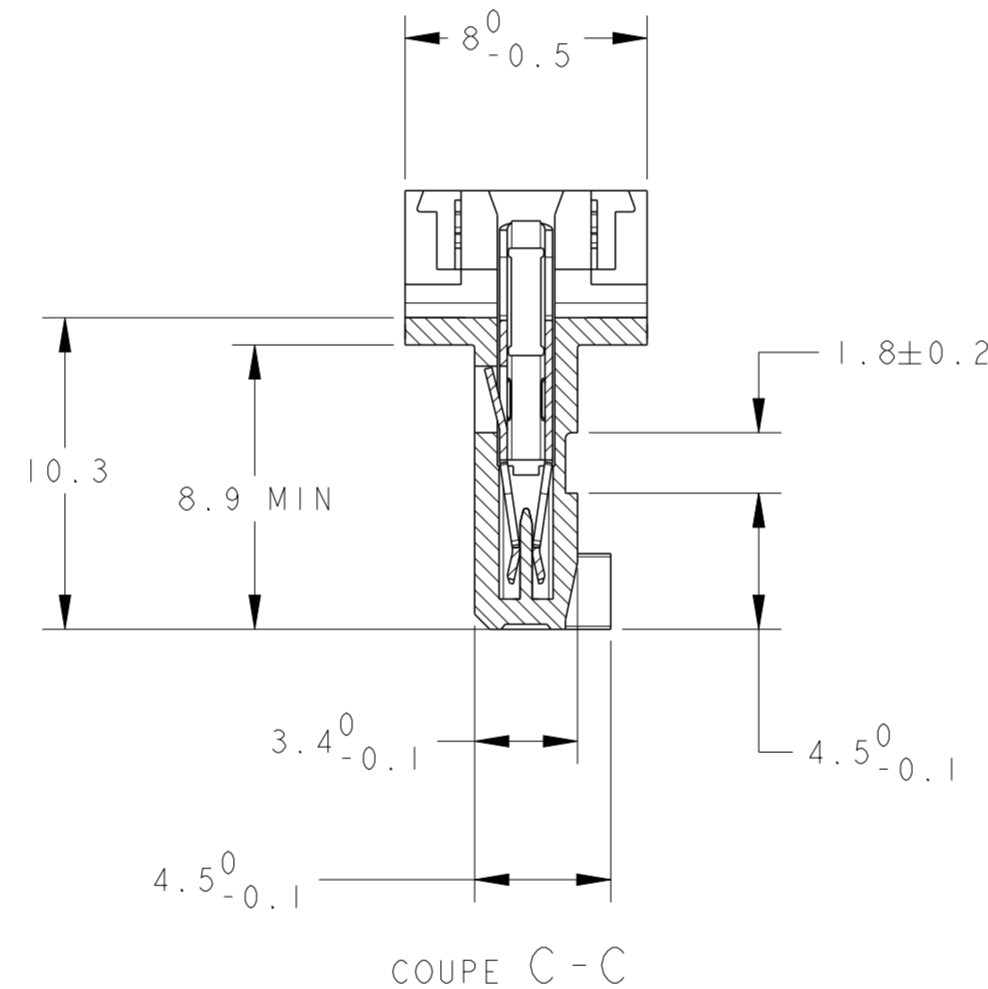
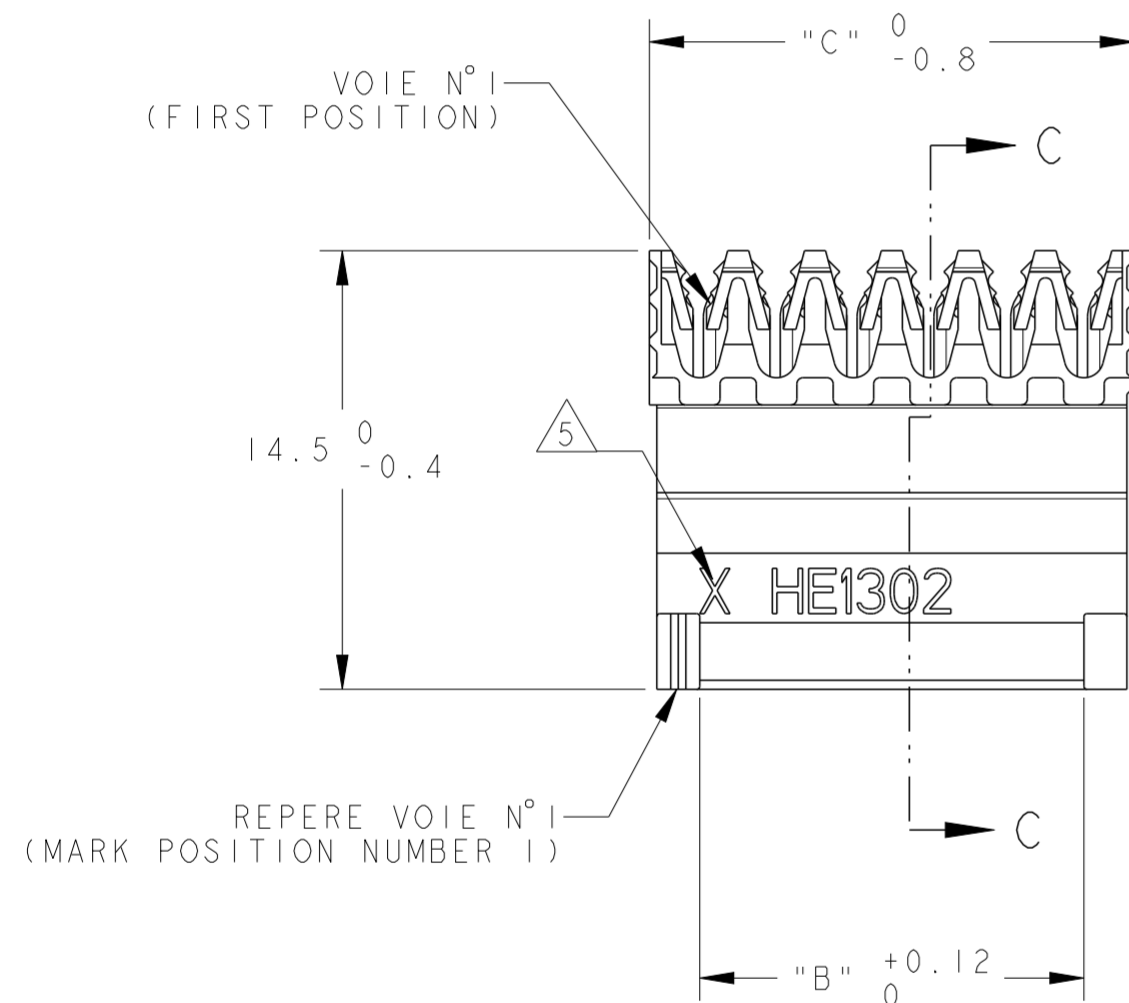
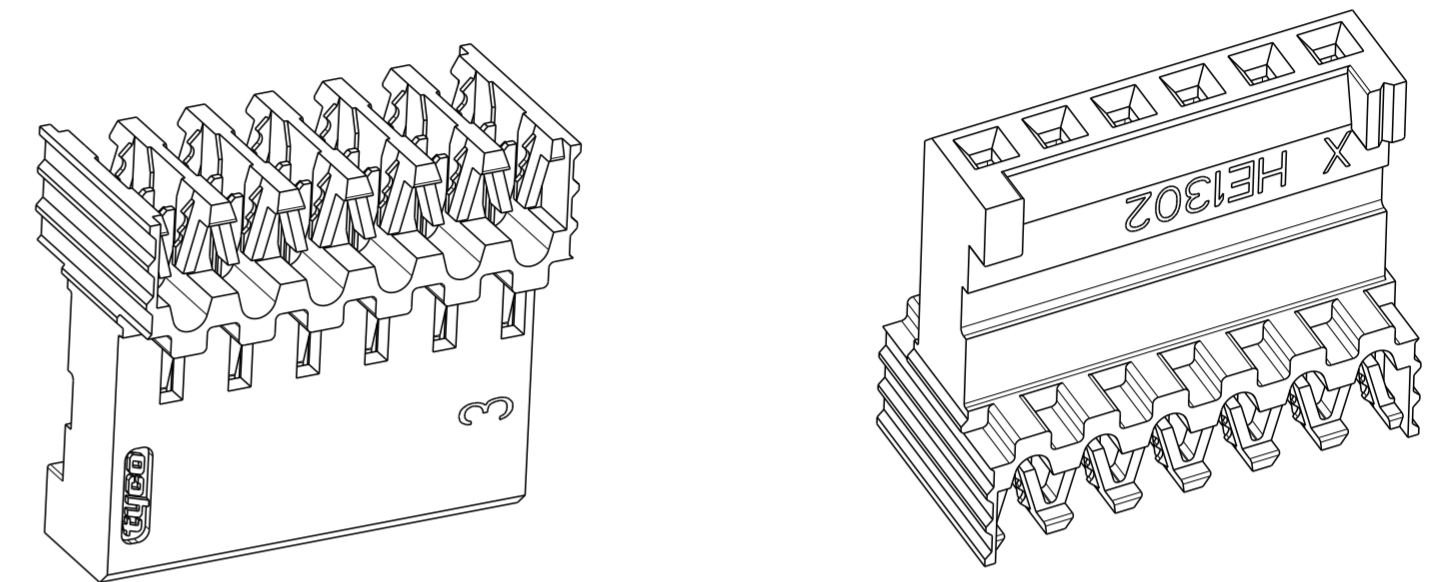
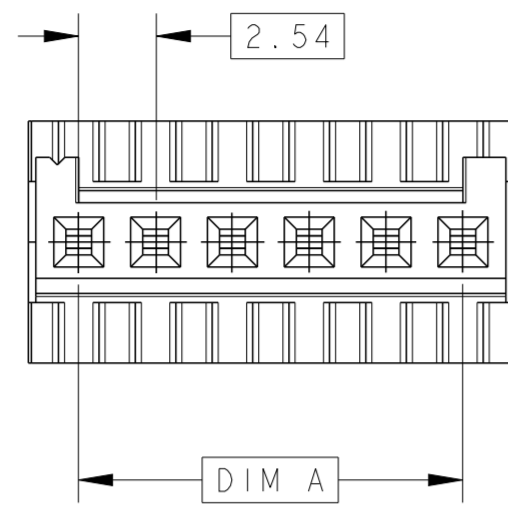


FILS ADMISSIBLES (ACCEPTABLE WIRES)

JAUGE (AWG) SECTION / 7 BRINS (7 STRANDS)	24 0.22mm <sup>2</sup>
ISOLANT: Ø MAX / MATIERE (INSUL.: Ø MAX / MAT'L)	Ø 1.2 / PVC

REVISIONS

P	LTR	DESCRIPTION	DATE	DWN	APVD
E		LOGO TYCO ETAIT AMP. CLARIFICATION.	13MAR2007	GR	YP
E1		REVISED PER ECO-09-025699	15DEC2009	KK	AEQ
E2		OBSOLETE THE PN 281709-7	16OCT2023	SP	JK



QUANT / TUBE	C	A, B	Nb DE POS	REFERENCES (PART No)		
OBSOLETE	9	64.30	60.96	25	2-281709-5	2-144273-5
OBSOLETE	9	61.76	58.42	24	2-281709-4	2-144273-4
OBSOLETE	10	59.22	55.88	23	2-281709-3	2-144273-3
OBSOLETE	10	56.68	53.34	22	2-281709-2	2-144273-2
OBSOLETE	10	54.14	50.80	21	2-281709-1	2-144273-1
OBSOLETE	11	51.60	48.26	20	2-281709-0	2-144273-0
OBSOLETE	12	49.06	45.72	19	1-281709-9	1-144273-9
	12	46.52	43.18	18	1-281709-8 *	1-144273-8 *
OBSOLETE	13	43.98	40.64	17	1-281709-7	1-144273-7
OBSOLETE	14	41.44	38.10	16	1-281709-6	1-144273-6
	15	38.90	35.56	15	1-281709-5 *	1-144273-5 *
OBSOLETE	16	36.36	33.02	14	1-281709-4	1-144273-4
OBSOLETE	17	33.82	30.48	13	1-281709-3	1-144273-3
	18	31.28	27.94	12	1-281709-2 *	1-144273-2 *
OBSOLETE	20	28.74	25.40	11	1-281709-1	1-144273-1
	20	26.20	22.86	10	1-281709-0 *	1-144273-0 *
OBSOLETE	25	23.66	20.32	9	0-281709-9	0-144273-9
	25	21.12	17.78	8	0-281709-8 *	0-144273-8 *
OBSOLETE	30	18.58	15.24	7	0-281709-7	0-144273-7
	35	16.04	12.70	6	0-281709-6 *	0-144273-6 *
	40	13.50	10.16	5	0-281709-5 *	0-144273-5 *
	50	10.96	7.62	4	0-281709-4 *	0-144273-4 *
	70	8.42	5.08	3	0-281709-3 *	0-144273-3 *
	100	5.88	2.54	2	0-281709-2	0-144273-2

NOTES:

- 1 CES CONNECTEURS SONT PREVUS POUR ETRE ACCOUPLES AVEC LES EMBASES 'HE1302' SIMPLE RANGEE (THESE CONNECTEURS ARE DESIGNED TO BE MATED WITH 'HE1302' HEADERS SINGLE ROW)
- 2 LES REFERENCES SUIVIES D'UN ' \* ' SONT LES VERSIONS NORMALISEES SELON LA 'CEI 603-8' (THE PART-NO FOLLOWED BY ' \* ' ARE COVERED BY THE INTERNATIONAL STANDARD 'IEC 603-8')
- 3 REVETEMENT DES CONTACTS: 0.4µm OR DANS LA ZONE DE CONTACT, ETAIN SUR SORTIE CAD, SOUS-COUCHE NICKEL (CONTACTS PLATING: 0.4µm GOLD ON CONTACT AREA, TIN ON I.D. BARREL AREA NICKEL UNDER-PLATING)
- 4 CONNECTEURS CONDITIONNES SOUS TUBE PVC (THESE CONNECTEURS ARE PACKAGED IN TUBE)
- 5 ' X ' EST REMPLACE PAR LE DEUXIEME CHIFFRE DES JAUGES AWG (' X ' REPLACED BY THE SECOND DIGIT OF AWG AS DEFINED IN TABLE)
- 6 MATERIAUX - BOITIER: PBT UL 94V0 - CONTACTS: BRONZE PHOSPHOREUX (MATERIALS - CASE: PBT UL 94V0 - CONTACTS: PHOSPHOR BRONZE)

THIS DRAWING IS A CONTROLLED DOCUMENT.

DIMENSIONS: mm	TOLERANCES UNLESS OTHERWISE SPECIFIED:	DWN: 17NOV2000 CHK: COMBEDOUZON T: CORRIOU APVD: 17NOV2000 Y: PETRONIN	TE Connectivity
MATERIAL	FINISH	PRODUCT SPEC: 108-15053 APPLICATION SPEC: 114-15030 WEIGHT: -	NAME: HE1302 PLUG, 90deg IDC SINGLE ROW
6	3	CUSTOMER DRAWING	SIZE: A2 CAGE CODE: 0779 DRAWING NO: C-281709 RESTRICTED TO: -
		SCALE: 4:1	SHEET: 1 OF 1 REV: E2