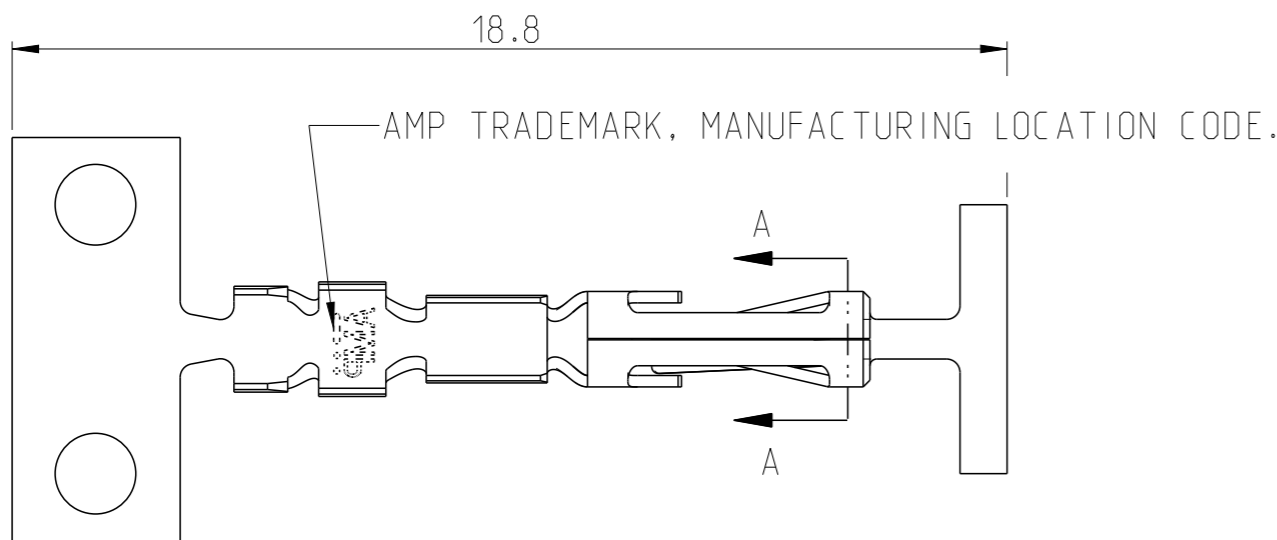
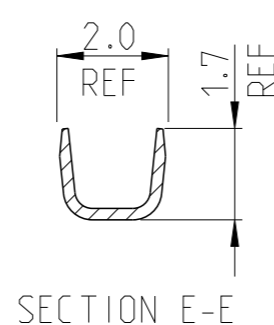
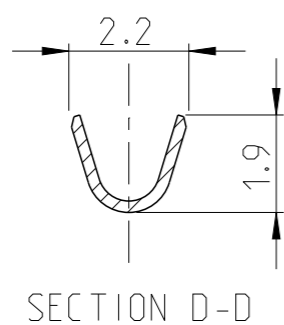
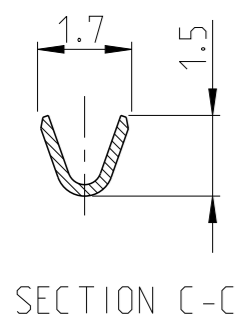
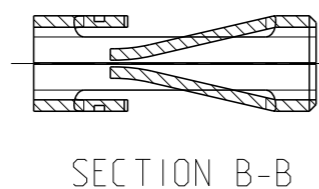
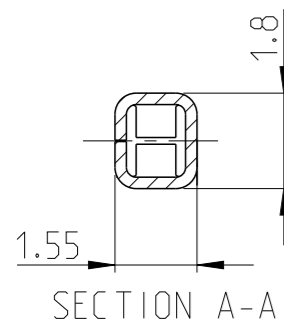
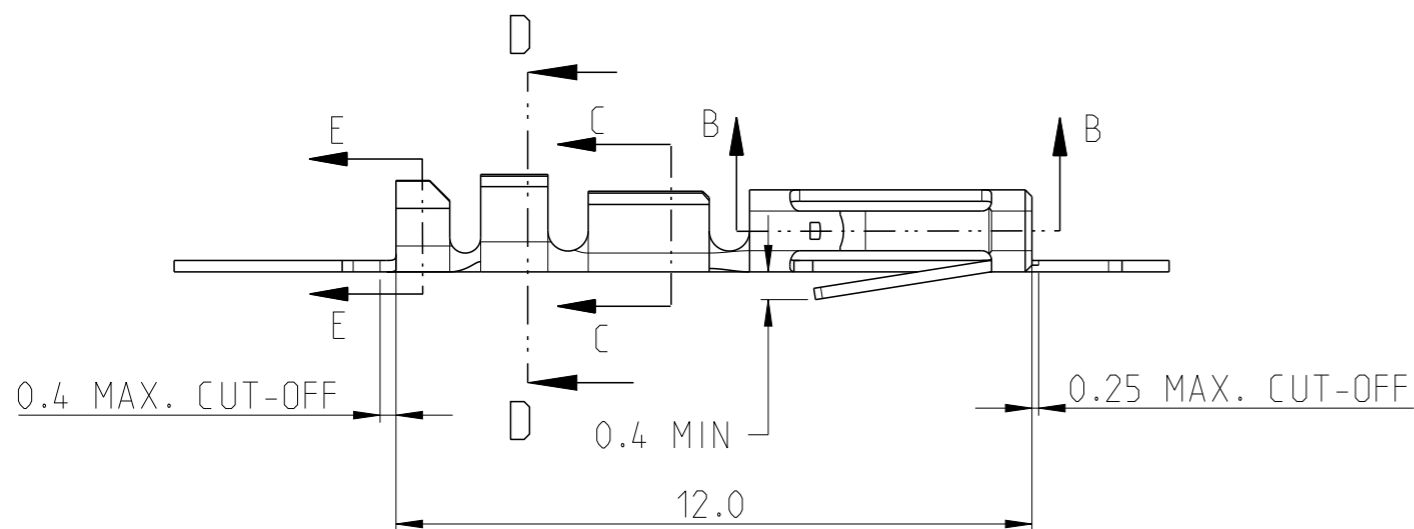


| P | LTR | DESCRIPTION | DATE | DWN | APVD |
|---|-----|---|-----------|-----|------|
| | AN1 | REVISED PER ECO-11-005140 | 31MAR2011 | RK | - |
| | AP | STANDARDIZATION OF PLATING AND SPLICING | 26JUL2024 | GVP | KJK |



NOTE:

- MATERIAL : PHOSPHOR BRONZE.
- FINISH : GOLD PLATED 0.4 μm IN CONTACT AREA AND GOLD FLASH ON REMAINDER EXCEPT CUTTING EDGES (GOLD FLASH IS NOT MANDATORY ON THE PILOTED CARRIER STRIP) OVER 1.3 μm NICKEL.
- FINISH : GOLD PLATED 0.4 μm IN CONTACT AREA AND GOLD FLASH ON REMAINDER (GOLD FLASH IS NOT MANDATORY ON THE PILOTED CARRIER STRIP) OVER 1.3 μm NICKEL.
- FINISH : GOLD PLATED 0.4 μm IN CONTACT AREA, OVER 1.3 μm NICKEL.
- FINISH : GOLD PLATED 0.8 μm IN CONTACT AREA AND GOLD FLASH ON REMAINDER EXCEPT CUTTING EDGES (GOLD FLASH IS NOT MANDATORY ON THE PILOTED CARRIER STRIP) OVER 1.3 μm NICKEL.
- FINISH : GOLD PLATED 0.8 μm IN CONTACT AREA AND GOLD FLASH ON REMAINDER (GOLD FLASH IS NOT MANDATORY ON THE PILOTED CARRIER STRIP) OVER 1.3 μm NICKEL.
- FINISH : TIN PLATED 0.8 μm ALL OVER EXCEPT FOR CUTTING EDGES.
- FOR MINI-APPLICATOR P/N 781119-2.
- FOR STD. APPLICATOR.
- FOR HANDTOOL P/N 784044-1.
- OBSOLETE
- SPLICING - MAXIMUM 1 LOOSE END PER REEL IS ALLOWED



| | | | | | | |
|----------------|--------------------------------------|-----|---------------------------|-----|---------------------------|-----|
| NOTES 1&7 | *181270-6 | 0 | - | - | 280530-6 | AP |
| NOTES 1&6 | - | - | - | - | 280530-5 | AP |
| NOTES 1&5 | 181270-4 | AP | 1-280530-4 | AP | 280530-4 | AP |
| NOTES 1&4 | 181270-3 | AP | 1-280530-3 | AP | 280530-3 | AP |
| NOTES 1&3 | 181270-2 | AP | 1-280530-2 | AP | 280530-2 | AP |
| NOTES 1&2 | 181270-1 | AP | 1-280530-1 | AP | 280530-1 | AP |
| MATL. & FINISH | LOOSE-PIECE PART NUMBER: REV NOTE 10 | REV | STRIP PART NUMBER: NOTE 9 | REV | STRIP PART NUMBER: NOTE 8 | REV |

THIS DRAWING IS A CONTROLLED DOCUMENT.

DWN G.CAMPBIA 30 JUNE 1989



| DIMENSIONS: | TOLERANCES UNLESS OTHERWISE SPECIFIED: |
|-------------|--|
| mm | |
| 0 PLC | ± 0.3 |
| 1 PLC | ± 0.3 |
| 2 PLC | ± 0.3 |
| 3 PLC | ± 0.3 |
| 4 PLC | ± 0.3 |
| ANGLES | \pm |
| MATERIAL | FINISH |
| SEE TABLE | SEE TABLE |

| | |
|------------------|-----------|
| CHK | - |
| APVD | - |
| PRODUCT SPEC | 108-20025 |
| APPLICATION SPEC | 114-20004 |
| WEIGHT | - |
| CUSTOMER DRAWING | |

| | | | |
|---|-----------|--------------|---------------|
| NAME AMP MODU II REC. CONTACT, STD PRESSURE, C.O.S.I. | | | |
| SIZE | CAGE CODE | DRAWING NO | RESTRICTED TO |
| A3 | 00779 | C=280530 | - |
| SCALE 7:1 | | SHEET 1 OF 1 | REV AP |