

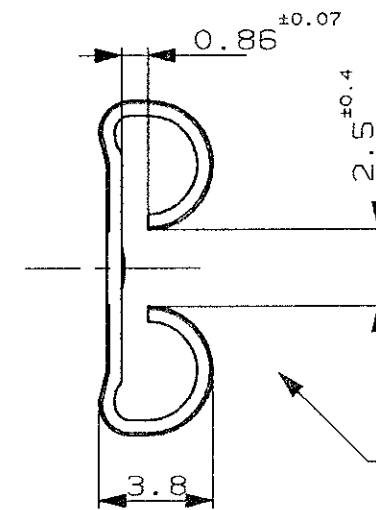
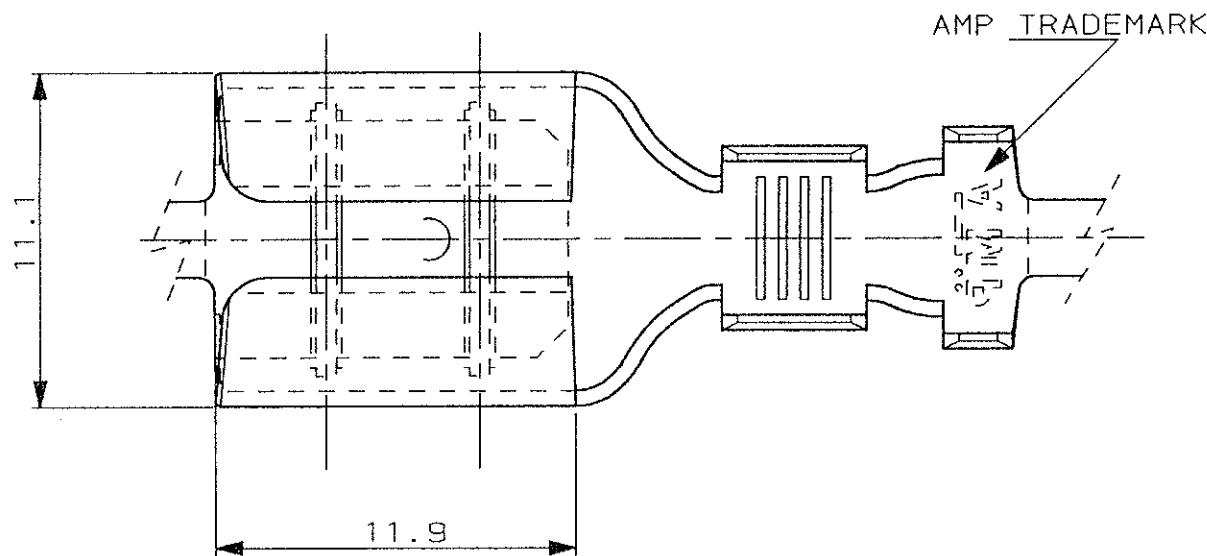
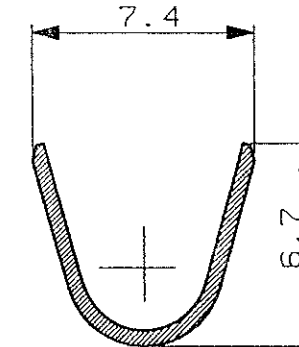
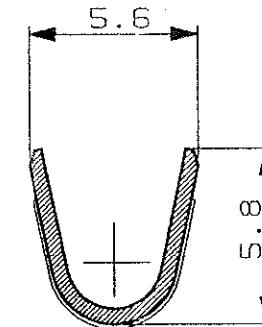
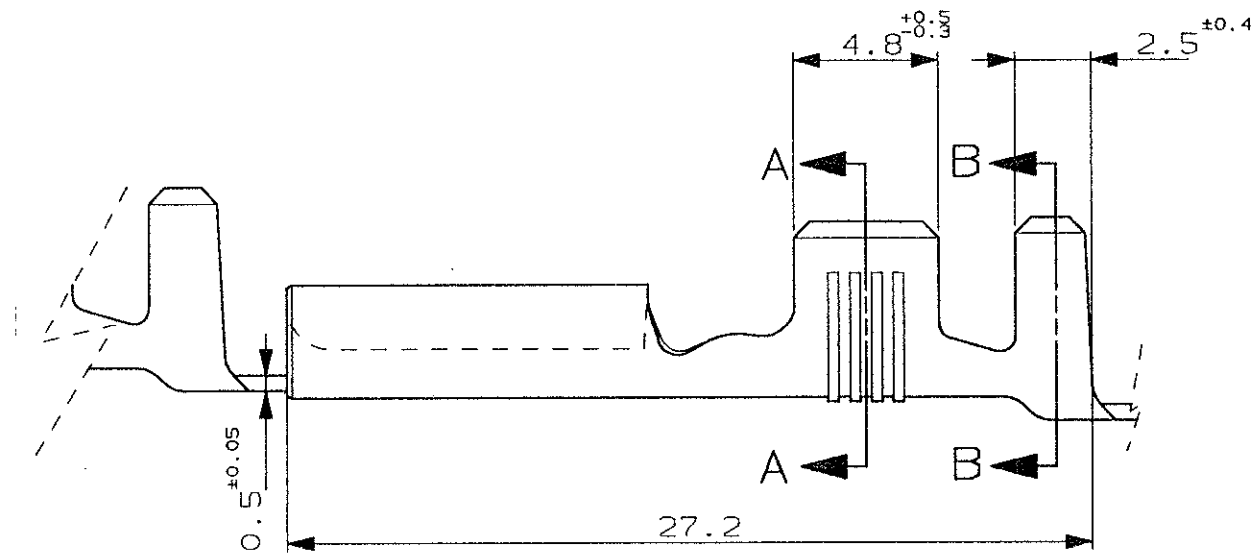
SCALA NON IMPEGNATIVA
(DO NOT SCALE)
DIMENSIONI IN mm
(DIMENSIONS IN mm)

METRIC

PROIEZIONE EUROPEA
(EUROPEAN PROJECTION)

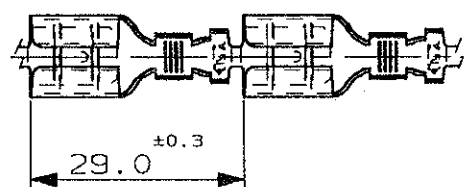
SEZIONE A-A
(SECTION A-A)

SEZIONE B-B
(SECTION B-B)



BARRELS OMITTED FOR CLARITY

STATO DI FORNITURA - SCALA 1:1
(SUPPLY CONDITION - SCALE 1:1)



SENSO DI USCITA
DEL TERMINALE
DALLA BOBINA

(DIRECTION OFF
TOP OF REEL)

STAGNATO (TIN PLATED)	OTTONE (BRASS)	280223-2	N
FINITURA / COLORE (FINISH / COLOUR)	MATERIALE (MATERIAL)	NUMERO (AMP P/N)	REV

CUSTOMER DWG.
FOR REFERENCE ONLY

DISEGNO PER CLIENTE
SOLO PER RIFERIMENTO

THIS DRAWING IS UNPUBLISHED | RELEASE FOR PUBLICATION | 19

© COPYRIGHT 19 BY AMP INCORPORATED, HARRISBURG, PA. ALL INTERNATIONAL RIGHT RESERVED. AMP PRODUCTS MAY BE COVERED BY U.S. AND FOREIGN PATENT AND/OR PATENT PENDING

TOLLERANZE, SE NON DIVERSAMENTE SPECIFICATO (TOLERANCES, UNLESS OTHERWISE SPECIFIED)	DIAM. ISOLANTE (INS. DIA. RANGE)	RANGO FILO (WIRE RANGE)	SCALA (SCALE)
± 0.3	3.9-5.1	4-6 mm ²	4:1

ANGOLI (ANGLES)	± 2°	AMP AMP ITALIA S.p.A. Corso F.lli Cervi, 15 COLLEGNO (TORINO)
--------------------	------	--

DIS. 05 MAR 1999 (DR.) H. YAALI	DESCRIZIONE (DESCRIPTION) FASTON® Connector .375 SERIES REC. CONTACT
------------------------------------	--

CONT. -- (CHK)	LOC. SIZE NUMERO (DWG NO)	REV.	FGLIO (SHEET)
-------------------	------------------------------	------	------------------

REV. N	REVISED & REDRAWN FOR ET00-0090-99	H. Y.	26.9 99
REV. 1	REVISIONI (REVISION RECORD)	DIS. DATA (DR) (DATE)	APP. 05 MAR 1999 (APP.) C. TARTAGLIA

I	A3	C-280223	N	1	1
---	----	----------	---	---	---

DISTRIBUZIONE
(PRINT DIST.)