

4

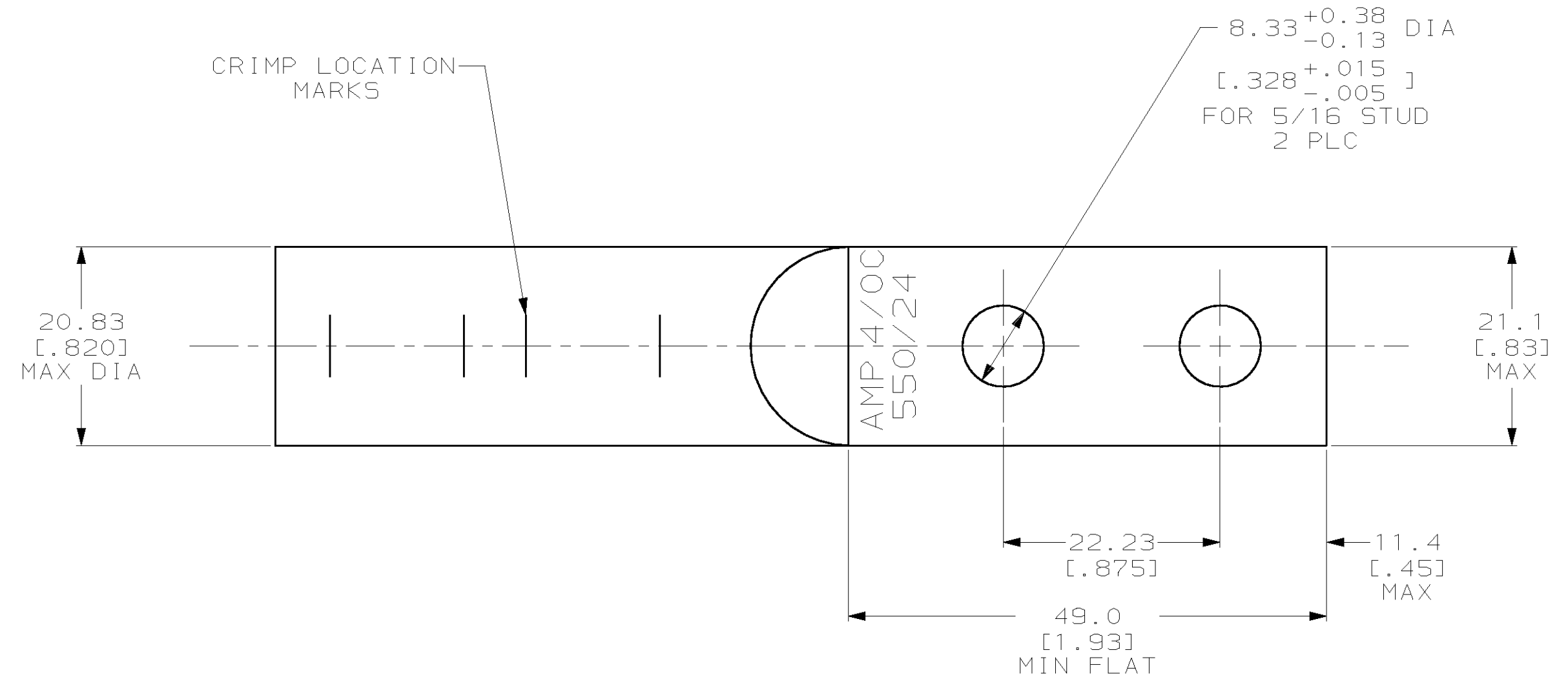
3

2

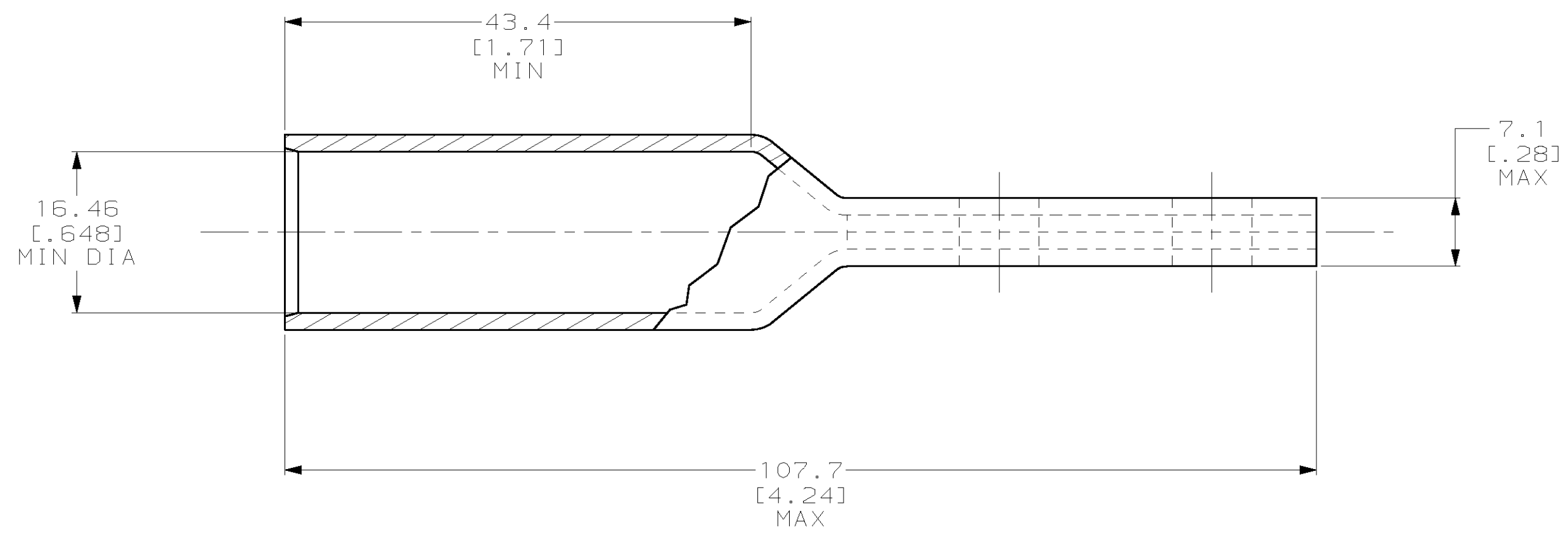
1

THIS DRAWING IS UNPUBLISHED. RELEASED FOR PUBLICATION
 BY AMP INCORPORATED. ALL RIGHTS RESERVED.

LOC		DIST		REVISIONS			
P	LTR	DESCRIPTION		DATE	DWN	APVD	
G	86	C	REV PER 063A-0561-01	070CT02	JR	MS	



1 CIRCULAR MIL RANGE: 100.0mm² [190,000] TO 125.0mm² [231,000] CIR MILS



277143-1
 AMP
 PART NUMBER

<small>THIS DRAWING IS A CONTROLLED DOCUMENT FOR AMP INCORPORATED. IT IS SUBJECT TO CHANGE AND THE CONTROLLING ENGINEERING ORGANIZATION SHOULD BE CONTACTED FOR THE LATEST REVISION.</small>		DWN DK SCHRUM 14AUG96	AMP Incorporated Harrisburg, PA 17105-3608
DIMENSIONS: mm [INCHES]		CHK WJ VOCKROTH 15AUG96	
		APVD JL MECKLEY 15AUG96	NAME TERMINAL, CENTER LINE, AMPOWER, WIRE SIZE: 4/0 AWG
MATERIAL COPPER PER ASTM B-75 ANNEALED		PRODUCT SPEC -	SIZE A2
TOLERANCES UNLESS OTHERWISE SPECIFIED: 0 PLC ±- 1 PLC ±- 2 PLC ±0.51 [.020] 3 PLC ±0.13 [.005] 4 PLC ±- ANGLES ±-		APPLICATION SPEC -	CAGE CODE 00779
FINISH TIN PLATE 0.00381 [.000150] MIN THK PER MIL-T-10727		WEIGHT -	DRAWING NO C-277143
CUSTOMER DRAWING		SCALE 2:1	SHEET 1 OF 1
		REV C	

277143