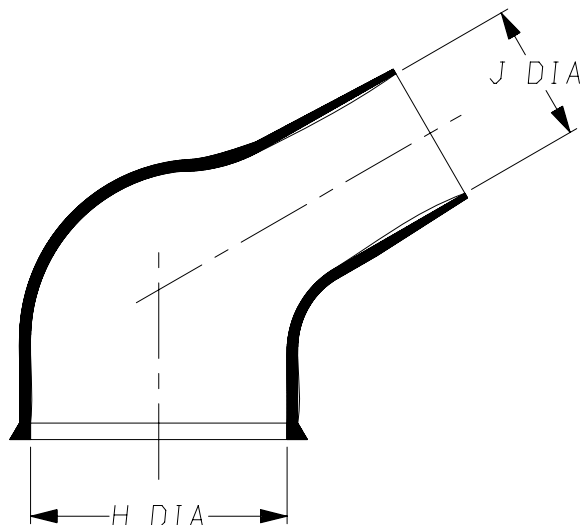
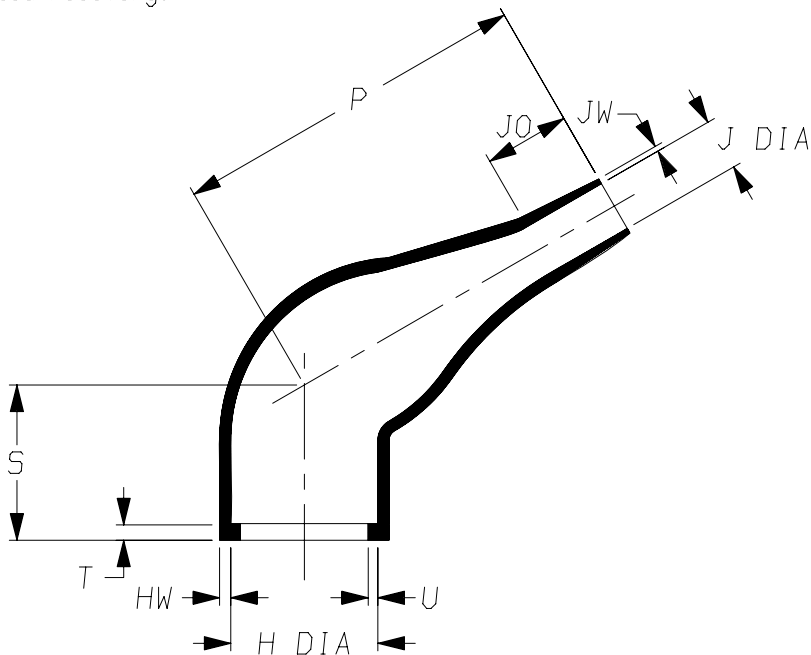


a) Part as supplied.



b) Part after unrestricted recovery.



**DIMENSIONS** in millimetres  
(in inches, for reference)

Part No.	H		J		P ±10%	S ±10%	T ±10%	U ±10%	JO ±10%	HW ±20%	JW ±20%
	Min a	Max b	Min a	Max b							
263W023-12	43 {1.69}	28.2 {1.11}	23 {0.91}	9.9 {0.39}	67 {2.64}	29 {1.14}	3.0 {0.12}	1.75 {0.07}	16 {0.63}	2.0 {0.08}	1.0 {0.04}

**Copyright (!)**

The copyright in this drawing is the property of Tyco Electronics UK Ltd. The drawing is issued on the condition that it is not copied, reproduced or disclosed to a third party, either in whole or in part without the prior written consent of Tyco Electronics UK Ltd.

Drawn A.LILLEY. Checked

Issue 1

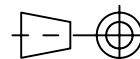
Date June 2006

Conforms to ISO Recommendations  
3rd Angle Projection  
Not to Scale

Approval  
Design

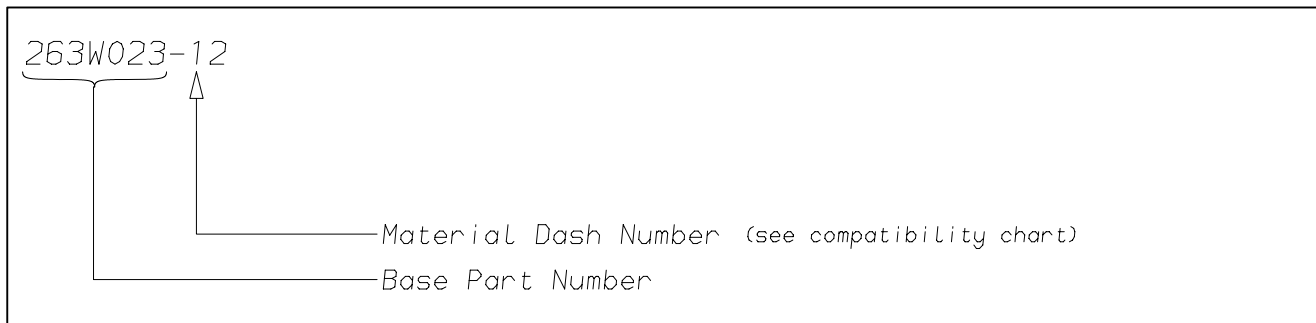
MKTG.

Q.A.



<b>Raychem</b>		<b>Specification Control Drawing</b>	Part Number <b>263W023-12</b>	Issue 1
Iss.	Date	E.C.R. No.	Details of Change	

(Ordering Information)



(COMPATIBILITY CHART)

Material Dash Number	Material Description	SPEC Number	Coating Slash Number
-12	FLUOROELASTOMER, FLEXIBLE	RT-1312, RK-6712	

Tyco electronics UK Ltd. Faraday Road, Swindon, Wiltshire, SN3 5HH England Telephone: (01793) 528171 Fax: 572516	Tyco electronics Corporation 300, Constitution Drive, Menlo Park, CA 94025 USA Telephone (650) 361-3860 Fax: (650) 361-5579
Cage Code K1010	Cage Code 06090