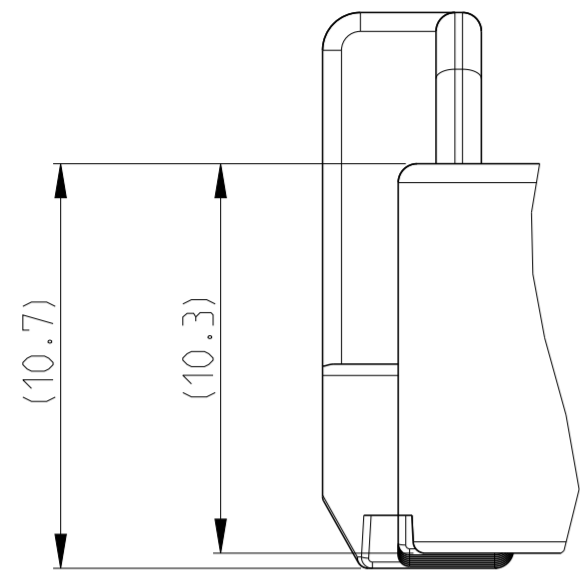
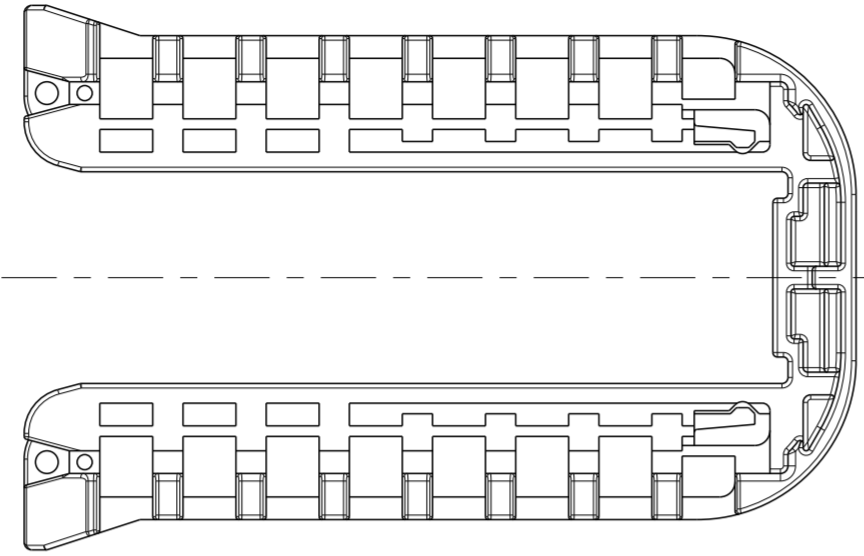


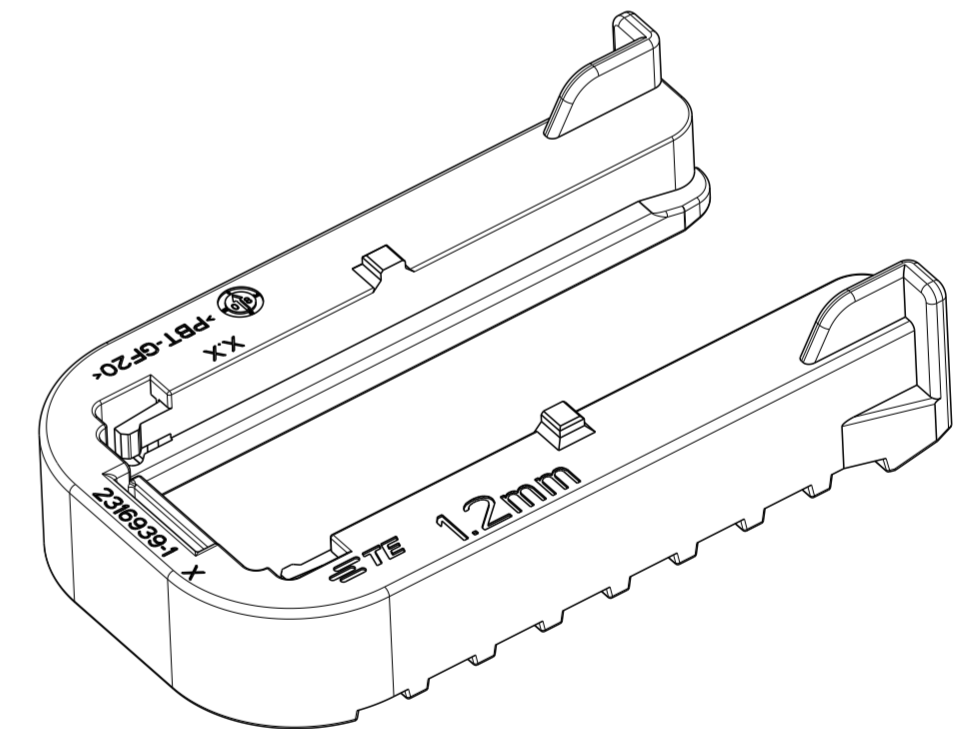
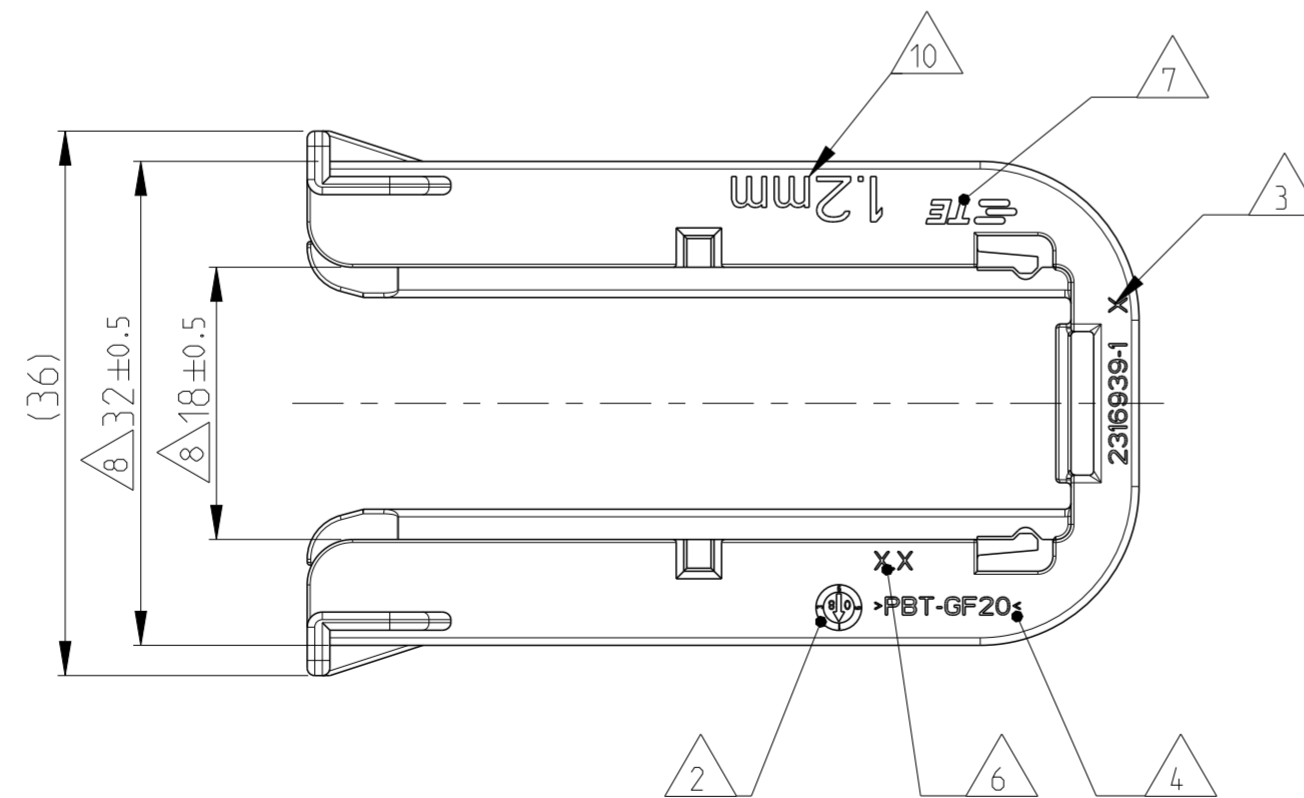
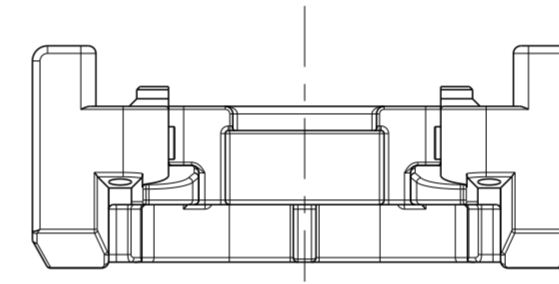
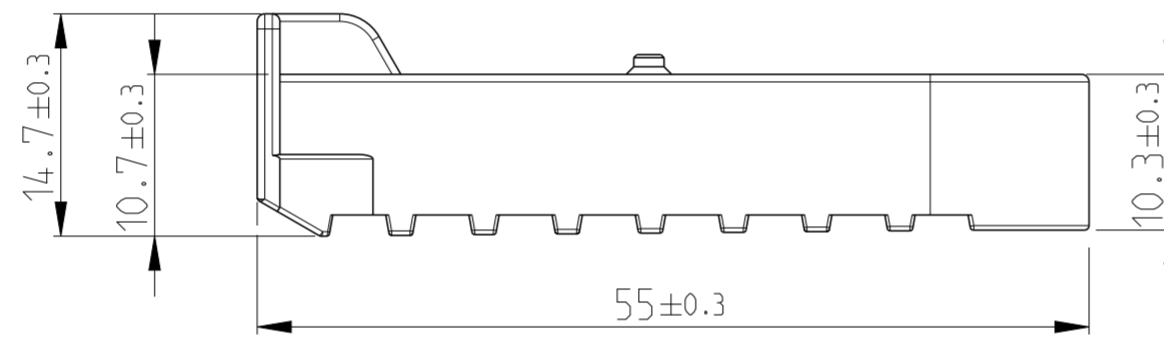
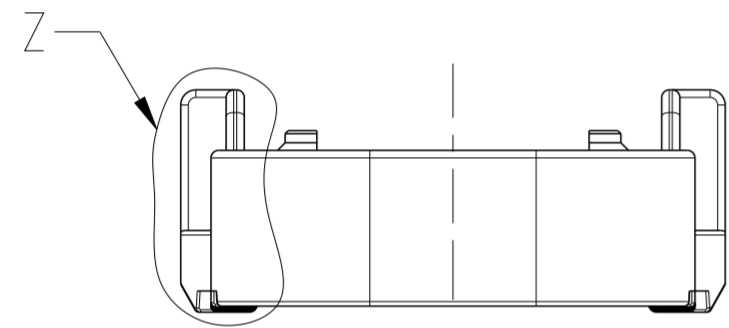
REVISIONS					
P	LTR	DESCRIPTION	DATE	DWN	APVD
	A	INITIAL RELEASE	27FEB2017	C.W	I.Y
	A1	ECN-22-136448	28JAN2022	J.S	Z.Z



Z
5:1



1. MATERIAL : PBT-GF20 OR EQUIVALENCES RESIN.
2. PRODUCT DATE
3. LETTER-INSERT FOR THE REVISION STATUS OF THE MOULD
4. MATERIAL MARKING ACCORDING TO VDA260
5. BULK PACKAGING IN CORRUGATED BOX
6. MOULD CAVITY MARKING
7. TE LOGO
8. WARGAGE PERMITTED UP TO -1.5MM FROM NOMINAL SIZE
9. SUITABLE FOR TAB HOUSING WITH FLANGE GROUP E, SEE PRODUCT GROUP DRAWING 1563709.
10. MARKING FOR SUITABLE SHEET METEAL THICKNESS(NOMINAL SIZE)



2316939-1	A	PBT-GF20/V-0	Orange	8.0	1
TE ORDER-NO.	REV.	MATERIAL	COLOUR	WEIGHT (g)	ITEM

THIS DRAWING IS A CONTROLLED DOCUMENT.		DWN C.WAN 27FEB2017	TE Connectivity		
DIMENSIONS: mm		CHK S.WANG 27FEB2017			
TOLERANCES UNLESS OTHERWISE SPECIFIED: ACC. TO DIN 16901-140		APVD J.YIN 27FEB2017	NAME SLIDE, TAB HOUSING - Group E FOR 1.2MM SHEETMETAL Heavy Duty Sealed Connector Series		
MATERIAL SEE TABLE		PRODUCT SPEC 108-94020	SIZE A2	CAGE CODE -	DRAWING NO. C-2316939
FINISH		APPLICATION SPEC 114-18756	RESTRICTED TO	-	
-		WEIGHT -	SCALE 2:1	SHEET 1 OF 1	REV A1
-		CUSTOMER DRAWING			